



SPORTING GOODS

MODEL N° 90466

OWNER'S MANUAL

COPY

Keep this Product ID Number and use when contacting Customer Service:

REGISTER YOUR PRODUCT ONLINE AT WWW.LIFETIME.COM

At Lifetime, we are committed to providing innovative and quality products. While registering, you will have the opportunity to give us your feedback. Your input is valuable to us.

- You can also opt in to receive new product notifications or promotions.
- In the unlikely event of a product recall or safety modification, your registration provides the information we need to notify you directly.
- Registration is fast, easy, and completely voluntary.

Lifetime's Promise to You:

Maintaining your privacy is our long-standing policy at Lifetime. And you can rest assured that Lifetime will not sell or provide your personal data to other third parties, or allow them to use your personal data for their own purposes.

We invite you to read our privacy policy at www.lifetime.com

REGISTER today!

Save this owner's manual for future reference and in the event that the manufacturer has to be contacted.



SAFETY INSTRUCTIONS



FAILURE TO FOLLOW THESE WARNINGS MAY RESULT IN SERIOUS INJURY OR PROPERTY DAMAGE AND WILL VOID WARRANTY.

To ensure safety, do not attempt to assemble this product without reading and following all instructions carefully. Failure to comply with any of the warnings in this instruction manual may result in serious personal injuries or property damage.

- This product is recommended for ages 8 and up.

Most injuries are caused by misuse and/or not following instructions. Use caution when using this product.



Questions or Missing Parts? ID:

TO SAVE TIME WHEN CONTACTING CUSTOMER SERVICE, PLEASE HAVE THE PRODUCT ID AVAILABLE BEFORE YOU CALL; IT'S LOCATED AT THE BOTTOM-LEFT CORNER OF THE FRONT PAGE OF THIS MANUAL.

****U.S. and Canada customers ONLY****

FOR CUSTOMERS OUTSIDE THE U.S. OR CANADA, PLEASE CONTACT THE STORE FOR ASSISTANCE.

DO NOT CONTACT THE STORE!
CALL OUR CUSTOMER SERVICE DEPARTMENT at
1 (800) 225-3865

HOURS: 7:00 a.m. to 5:00 p.m. Monday through Friday (Mountain Standard Time)

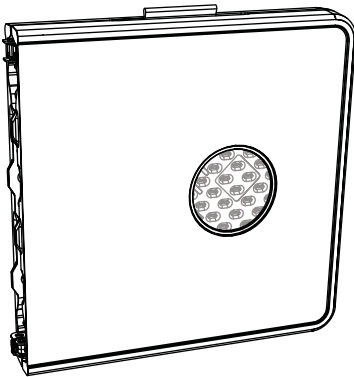
Call, or visit our Web site for Saturday hours

PARTS LIST

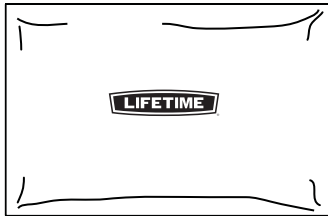
ID	Item Description	Qty	✓
DZH	Fold-in-Half Table	2	<input type="checkbox"/>
DZN	Table Plug	2	<input type="checkbox"/>
DZI	Accessory Bag	2	<input type="checkbox"/>
DZJ	Red Bola	3	<input type="checkbox"/>
DZL	Red Bean Bag	4	<input type="checkbox"/>
DZK	Blue Bola	3	<input type="checkbox"/>
DZM	Blue Bean Bag	4	<input type="checkbox"/>

PARTS IDENTIFIER

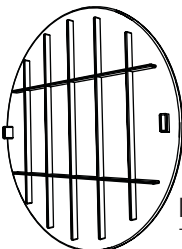
Parts shown at 10% of Actual Size



DZH (x2)
Fold-in-Half Game Table



DZI (x2)
Accessory Bag



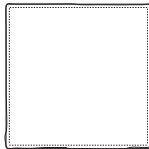
DZN (x2)
Table Plug



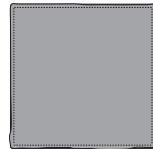
DZJ (x3)
Red Bola



DZK (x3)
Blue Bola



DZL (x4)
Red Bean Bag



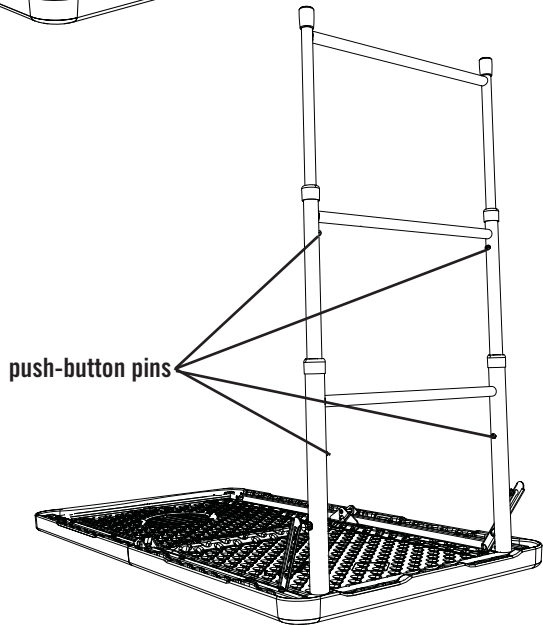
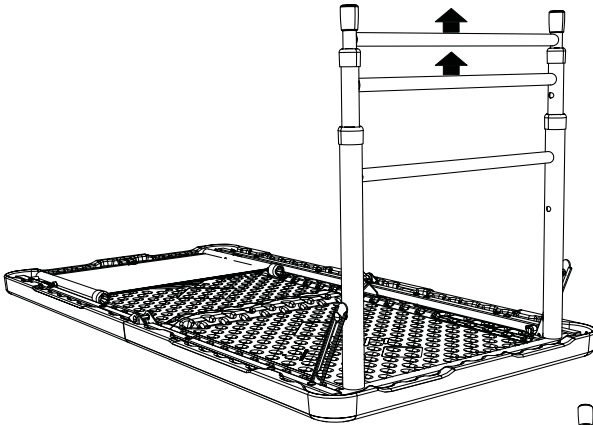
DZM (x4)
Blue Bean Bag

Ladder Toss Setup

SEC

1.1

With the table resting on its top, fully extend the Ladder Toss table legs as shown. Make sure the push-button pins are locked in position.



Note: For doubles play, repeat this step to set up the second Table.

Ladder Toss Gameplay

Basic

Rules

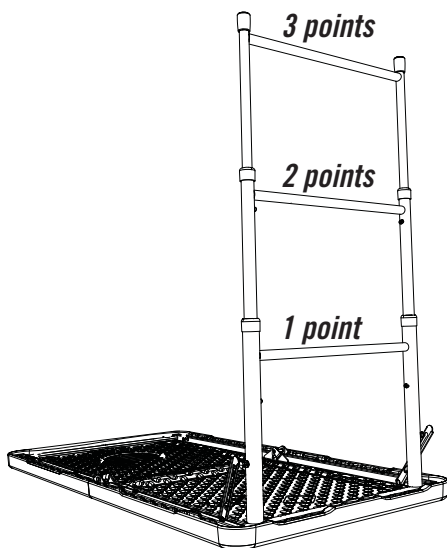
BASIC PLAY - Players stand five paces from the Ladder and toss their Bolas, attempting to wrap each one around one of the rungs on the Ladder. The first player must toss all 3 Bolas before the next player is able to toss his or her Bolas. Ladder Toss contestants may make as many remarks, sounds or movements as possible during play in order to distract the opponent.

SCORING - Each game is made up of several rounds. After all the Bolas are thrown, scoring is determined for that round by the Bolas that are still hanging from the rungs. A Bola on the top rung is worth 3 points, with the middle rung worth 2 points and the bottom worth 1 point. An optional **bonus point** may be added if a player has all three Bolas on one rung or one Bola on each of the three rungs at the end of a round.

The winner of each round earns the first throw in the next round. The player with a cumulative total of 21 points after finishing a round wins. If a player goes over 21 points, the points for that round are not counted. The game must be won by two points. Ties and 1-point games are decided by overtime rounds which are played until a round is finished with one player 2 points ahead.

Scoring

Setup

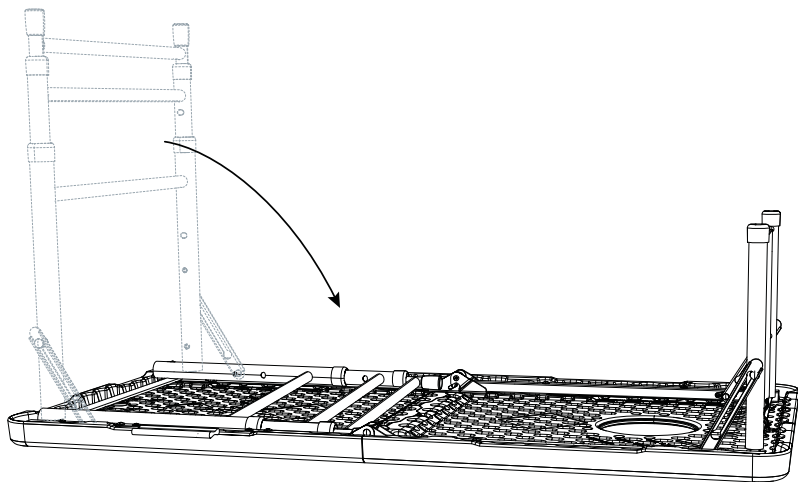


Bean Bag Toss Setup

SEC

2.1

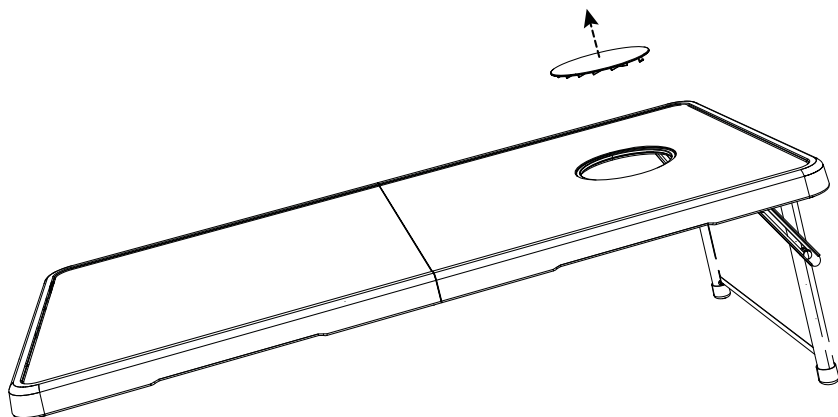
Fold down the Ladder Toss table legs, leaving only the short table legs extended.



SEC

2.2

If the **Table Plug (DZN)** is in place on the Table, remove it and store it in the **Accessory Bag (DZI)** until play is over.



Note: For doubles play, repeat these steps to set up the second Table.

Bean Bag Toss Gameplay

Basic

Rules

BASIC PLAY - Each game is played in innings. An inning ends when each player has pitched all four Bean Bags. Contestants alternate pitching the Bean Bags towards the platform set 27 feet away. In doubles play, one member of each team pitches from one platform and the other members pitch from the other platform. In singles play, both contestants pitch from the same platform.

SCORING - A Bean Bag “In-the-Hole” is worth 3 points.

A Bean Bag that lands on the platform without touching the ground is worth 1 point, and is considered “In-the-Count.”

A Bean Bag that lands anywhere else, or that touches the ground before landing on the platform, is “Out-of-the-Count” and has no scoring value.

If an In-the-Count bag is knocked off the platform, it becomes Out-of-the-Count and has no scoring value. However, if a bag that is In-the-Count is knocked into the hole by another thrown Bean Bag, it is considered In-the-Hole, and is worth 3 points.

Official score is kept by “cancellation scoring.” Any In-the-Hole or In-the-Count Bean Bag from one player is cancelled out by the opponent’s equivalent throw. At the end of the inning, only the bags that have not been cancelled out are counted in the score. The winner is the first player or team to reach 21 points.

Scoring

Setup

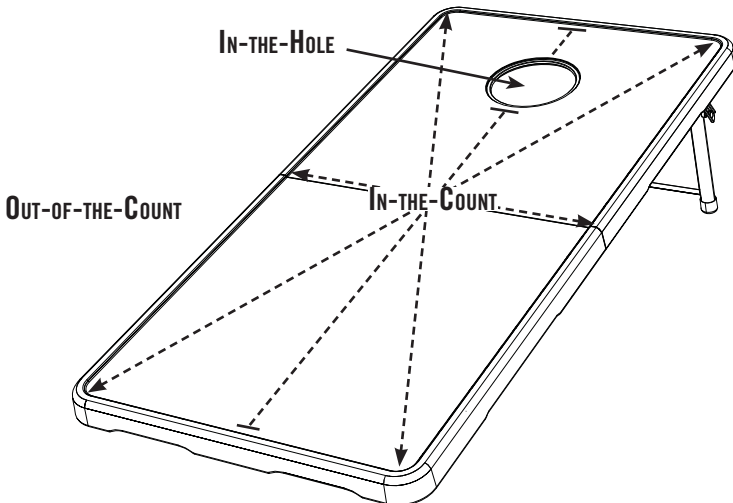
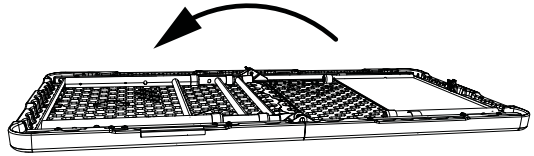
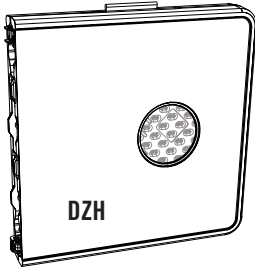


Table Setup

SEC

3.1

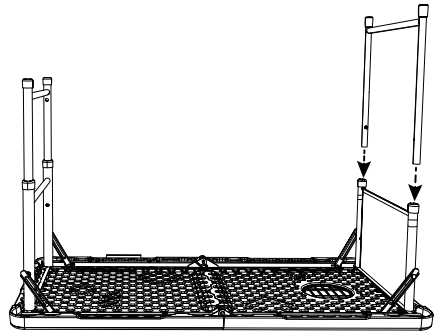
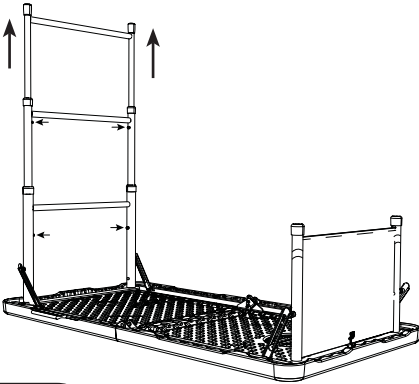
Unfold the **Table (DZH)**.



SEC

3.2

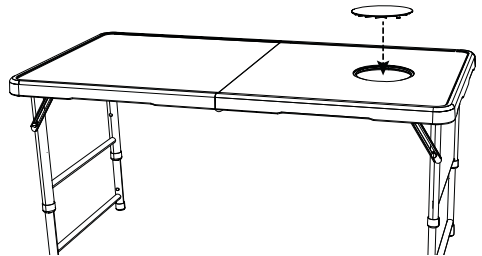
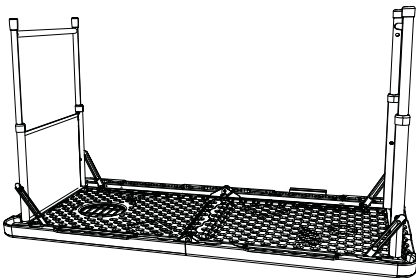
Unfold the legs. Remove the third rung legs and insert them into the ends of the short legs on the other end of the table.



SEC

3.3

Adjust the legs to the desired height. Turn the table over and insert the **Table Plug (DZN)** into the top of the Table until it is flush with the tabletop.



 **CAUTION**
Wash this product thoroughly before use.

Warning Stickers



1009632



***If the warning sticker is illegible, destroyed, or removed,
contact Customer Service for a replacement.***

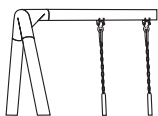
NOTES

**ENHANCE YOUR LIFETIME® PURCHASE BY ADDING
ACCESSORIES OR OTHER GREAT PRODUCTS:**

To purchase accessories or other Lifetime Products, visit us at:

www.lifetime.com

Or call: 1-800-424-3865



WARRANTY INFORMATION

LIFETIME PRODUCTS SPORTING GOODS

1-YEAR LIMITED FACTORY WARRANTY*

THE MANUFACTURER RESERVES THE RIGHT TO MAKE SUBSTITUTIONS TO WARRANTY CLAIMS IF PARTS ARE UNAVAILABLE OR OBSOLETE.

1. Lifetime Sporting Goods systems are warranted to the original purchaser to be free from defects in material or workmanship for a period of one year from the date of original retail purchase. The word "defects" is defined as imperfections that impair the use of the product. Defects resulting from misuse, abuse or negligence will void this warranty. This warranty does not cover defects due to improper installation, alteration or accident. This warranty does not cover damage caused by vandalism, rusting, "acts of nature" or any other event beyond the control of the manufacturer.
2. This warranty is nontransferable and is expressly limited to the repair or replacement of defective sporting goods equipment. If the equipment is defective within the terms of this warranty, Lifetime Products, Inc. will repair or replace defective parts at no cost to the purchaser. Shipping charges to and from the factory are not covered and are the responsibility of the purchaser. Labor charges and related expenses for removal, installation or replacement of the sporting goods system or its components are not covered under this warranty.
3. This warranty does not cover scratching or scuffing of the product that may result from normal usage. In addition, defects resulting from intentional damage, negligence, unreasonable use or hanging from the net or rim will void this warranty.
4. This warranty does not cover the bean bags, bolas, or accessory bag included with this system.
5. Liability for incidental or consequential damages is excluded to the extent permitted by law. While every attempt is made to embody the highest degree of safety in all equipment, freedom from injury cannot be guaranteed. The user assumes all risk of injury resulting from the use of this product. All merchandise is sold on this condition, and no representative of the company may waive or change this policy.
6. This product is not intended for institutional or commercial use; Lifetime Products, Inc. does not assume any liability for such use. Institutional or commercial use will void the warranty.
7. This warranty is expressly in lieu of all other warranties, expressed or implied, including warranties of merchantability or fitness for use to extent permitted by Federal and state law. Neither Lifetime Products, Inc., nor any representative assumes any other liability in connection with this product. This warranty gives you specific legal rights, and you may also have other rights which vary from state to state.

ALL WARRANTY CLAIMS MUST BE ACCOMPANIED BY A SALES RECEIPT.

REPORT PRODUCT DEFECTS IN WRITING TO:

Lifetime Products, Inc., PO Box 160010 Clearfield, UT 84016-0010, or call (800) 225-3865

M-F 7 a.m. to 5 p.m. MST.

****Call or visit our Web site for Saturday hours****

Please include your dated sales receipt and photographs of damaged parts.

To register the product, visit our Web site at www.lifetime.com



www.lifetime.com

*Warranty is only valid in the United States and Canada.