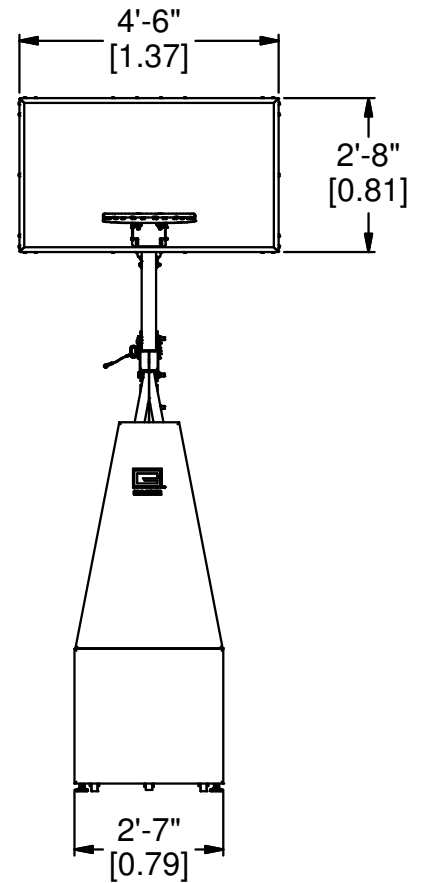
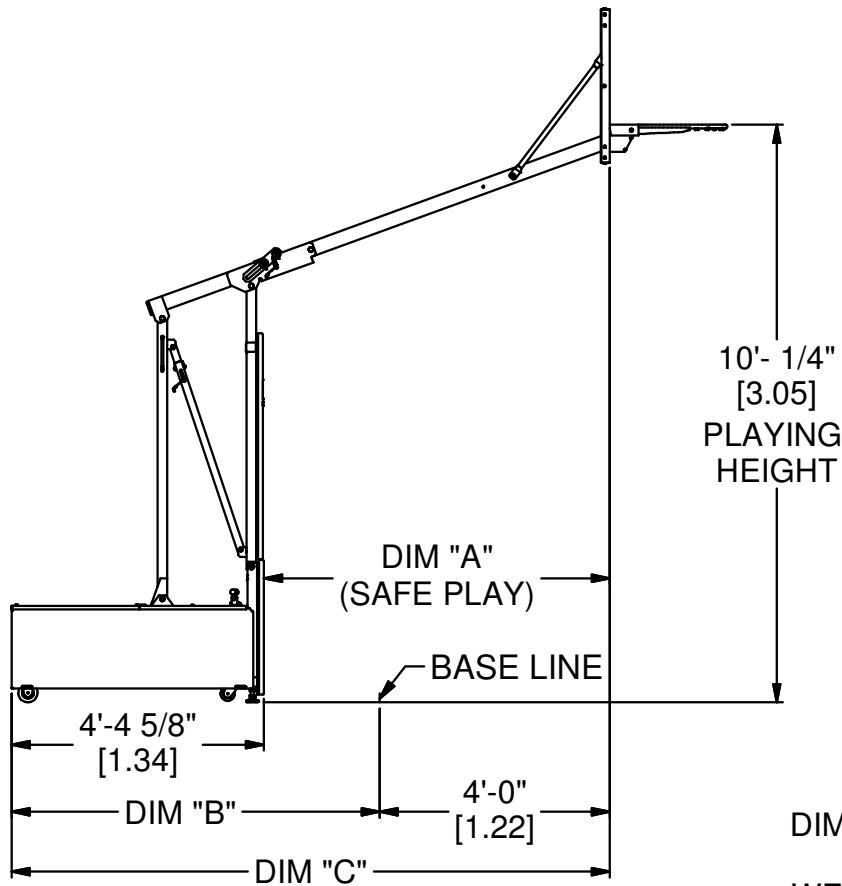


TABLE			
PLAYING HEIGHT	DIM "A"	DIM "B"	DIM "C"
10'-0" [3.05 m]	6'-0" [1.82 m]	10'-4 3/4" [3.17 m]	6'-4 3/4" [1.95 m]
9'-0" [2.74 m]	3'- 5/8" [0.93 m]	7'-5 1/4" [2.27 m]	3'-5 1/4" [1.05 m]
8'-0" [2.44 m]	2'- 7/8" [0.63 m]	6'-5 1/2" [1.97 m]	2'- 5 1/2" [0.75 m]
7'-6" [2.29 m]	1'-9 1/8" [0.54 m]	6'-1 3/4" [1.87 m]	2'-1 3/4" [0.65 m]



DIMENSION: FEET & INCHES  
[ METERS]  
WEIGHT: 1000 lbs [454 kg]

REV	BY	DATE



Gared Holdings, LLC  
9200 E. 146th St. Noblesville, IN 46060

THIS DOCUMENT CONTAINS TRADE SECRET AND OTHER MATERIALS WHICH ARE PROTECTED BY CONFIDENTIALITY NOTICE AND AGREEMENT AND BY COPYRIGHT. ANY USE OR COPYING OF THIS DOCUMENT EXCEPT AS AUTHORIZED BY GARED HOLDINGS, LLC IS STRICTLY PROHIBITED.

SUPER-Z54 PORTABLE, 54" BOARD

DRAWN CROSBY DATE 1/6/2011 DATE ISSUED

APPROVED DATE

FILE LOC. Q:\Inventor Files\Specification Files\02\_Portables\

SIZE	SCALE	SHT. NO.	PART NO.	REV
A		1 OF 1	9054	



**SUPER-Z54 MODEL 9054**  
**PORTABLE BASKETBALL GOAL**

**FRAME**

The perimeter of the base shall be constructed of 2" x 2" tubing and 11 gauge formed steel plate welded to form a single unitized frame. The front and rear arms shall be constructed of 2" x 2" tubular steel welded to form a unitized frame. The main boom and boom extension shall be constructed of 3" x 3" heavy wall tubing. The backboard shall be supported by a direct mounting through the goal to the main boom and a 1 1/4" diameter formed tube brace to the upper corners of the board. The base shall have adjustable, slip resistant leveling pads to support the front during play.

**BALLAST**

An additional 500 lbs of ballast is required to complete the unit. Ballast will be supplied and installed by others during field assembly. The total unit playing weight, including ballast, is 1000 lbs.

**WHEELS**

Each unit shall be transported on (2) 4" diameter rigid caster wheels and (1) 3" diameter swivel caster wheels with 1 1/4" non-marking polyurethane treads. The rear wheels have a load rating of 350 lbs. each and the front caster has a rating of 350 lbs. each. The wheels shall be supported on steel roller bearings.

**FINISH**

Each unit shall be finished in a white powder coat enamel finish.

**PADDING**

Main vertical arms and front face area shall be padded with a minimum of 1" thick heavy-duty polyurethane foam and covered with a black 14-ounce tear resistant, mildew resistant vinyl. All padding shall be attached in a manner for quick replacement. Glue-on type padding will not be considered equal.

**FOLDING CYCLE**

Each unit shall have (2) heavy duty tension springs located in the base to assist in lifting and lower the unit. The maximum effort to raise or lower the unit shall be 40 pounds applied by one person at the handle provided on the rear upright. A telescoping locking bar with safety locking pin shall be used to hold the unit in full up and full down position. The main boom shall fold to further reduce transport height and requires (2) persons to operate. Arms shall pivot on close tolerance wear bushings.

**BACKBOARD & GOAL**

6'-0" extension @ 10'-0" playing height  
GP5432 Board Assy, 32" x 54" x 3/8" Acrylic

A unitized welded frame shall be constructed with (2) 1/8" thick aluminum angle struts and a 1/8" aluminum formed channel section to reinforce the area for the direct goal attachment. The backboard shall be framed with 1/8" thick formed aluminum angle sections joined at the corners by steel brackets. The backboard surface shall be constructed of 3/8" thick clear acrylic treated for UV protection, and abrasion resistance. White target lines shall be screened onto the back side of the board surface. Vinyl cushion tape shall be used between the aluminum frame members and the acrylic surfaces. Goal mounts on a 4h x 3w & 4h x 5w pattern and fits models 26WO, 39WO, 726, & 1000.

The model 1000 Scholastic Breakaway Goal is standard on this unit.

Subject to design change and current manufacturing practices.  
Revised Jan. 07, 2011 ©2008 Gared Holdings, LLC