



MINI-EZ



Installation, Operation and Maintenance Instructions

.....
Please read all instructions before attempting installation or operation of these units
.....

SAVE THESE INSTRUCTIONS FOR FUTURE USE

PUBLICATION No.
5 5 1 7 5 2 9 2 3

Revised
Nov. 21, 2013



MINI-EZ Portable Backstop



TABLE OF CONTENTS

<u>Section</u>	<u>Page No.</u>
Introduction.....	1
Basic Dimensions.....	2
Assembly and Setup.....	3
Unit Operation	7

INTRODUCTION

Thank you for your purchase of a Gared Sports model Mini-EZ Portable backstop. To ensure that our equipment will provide years of use to you, we are including this installation, operation, and maintenance guide. This guide will provide information on the proper assembly and installation methods, operating procedures, and preventative maintenance of your portable backstop.

It is recommended that an individual who has been properly trained perform assembly and set up of the backstop. No one under the age of 18 should attempt assembly or set up of the unit, unless properly supervised.

To prevent normal wear and tear from shortening the life of the unit, preventative maintenance inspections and repairs should be performed at least once per year. If the units are subject to high or unusual usage, inspections should be scheduled to occur more frequently. If items are found to be nonconforming, replacements can be ordered from Gared Sports or one of our authorized dealers. When contacting Gared Sports, please have information regarding the dealer/installer who sold the unit, the name of the project, and any applicable warranty information.

WARNING!

Do not remove safety bolt before installing backboard and goal.
Removing bolt could result in serious personal injury and/or damage to unit.

WARNING!

This portable is NOT designed for main court use or dunking activities.
DO NOT HANG ON RIM.

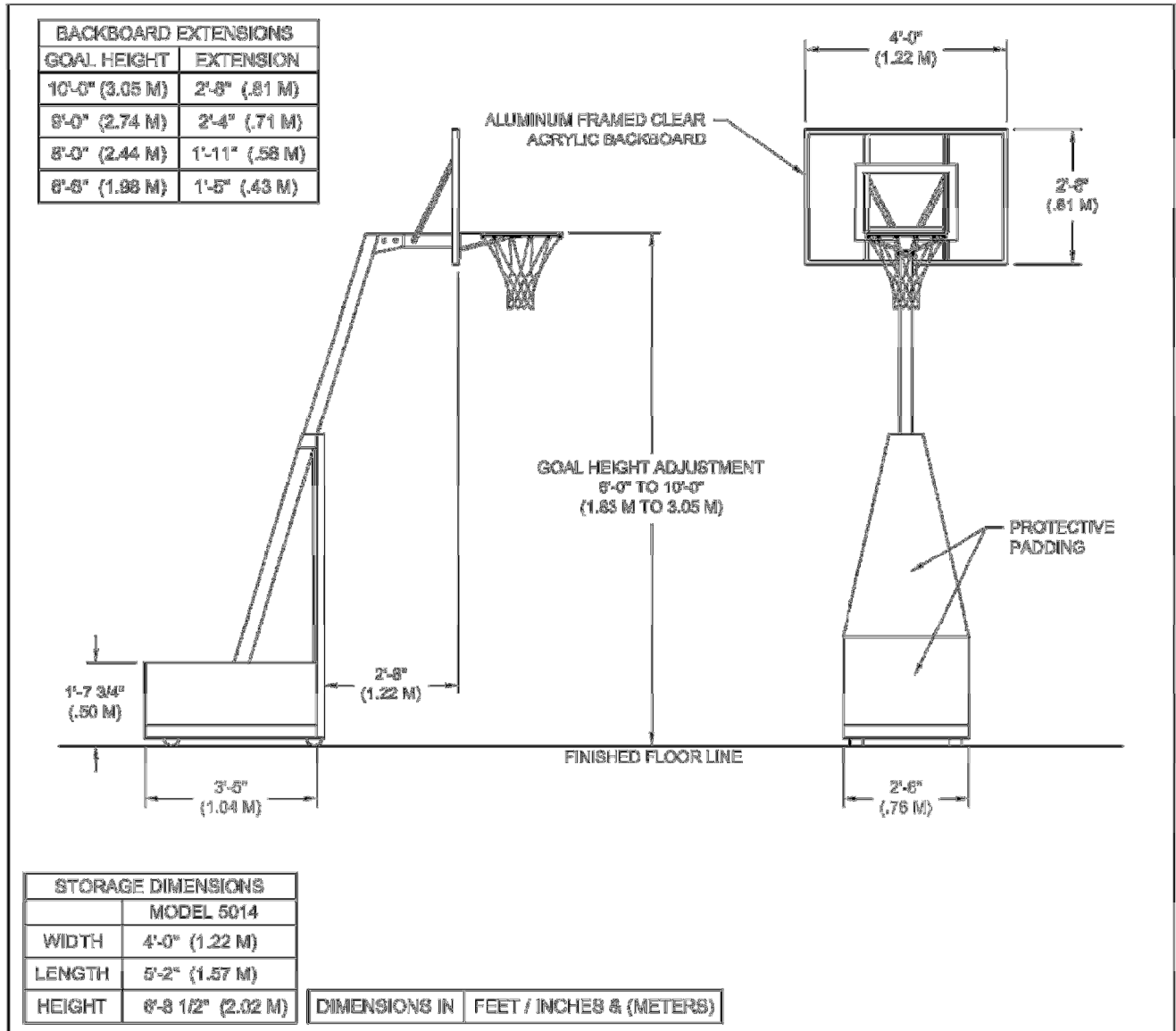
CAUTION!

Keep personnel away from front and rear of unit while raising or lowering the backboard.

WARNING!

Keep hands, arms, body clear during operation.

BASIC DIMENSIONS



Model	Board Size	Empty Wt	Min. Ballast Wt*	Min. Play Wt
MINI-EZ	32" x 48"	288 lbs [131 kg]	250 lbs [113 kg]	538 lbs [244 kg]

*Note: Ballast is not included with unit.

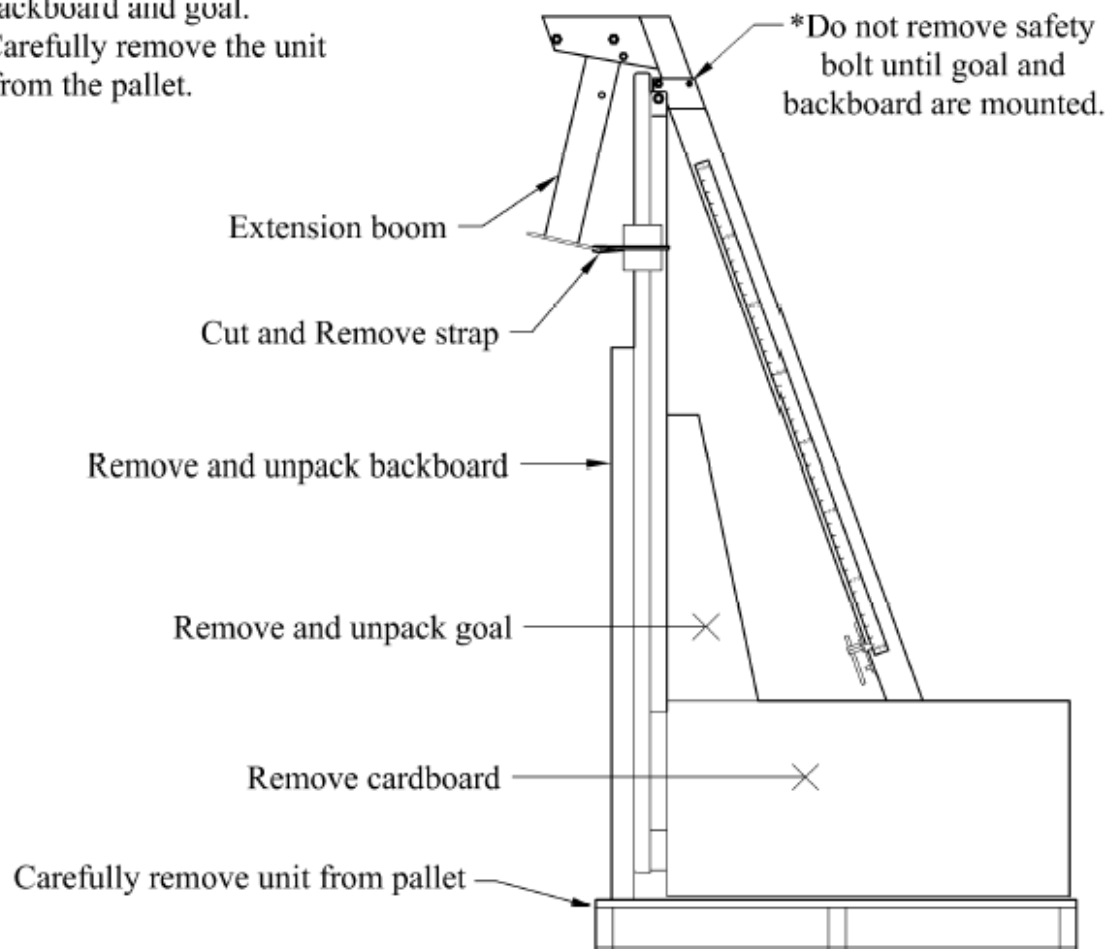
PLEASE FOLLOW STEP-BY-STEP INSTRUCTIONS
FOR SUCCESSFUL SET-UP AND OPERATION

Recommended tools and accessories.

- 1 - #3 Phillips screwdriver.
- 2 - 3/4" Combination wrenches.
- 1 - 2 Foot level.
- 2 - 9/16" Combination wrenches.
- 2 - 11/16" Combination wrenches.

Step 1: Remove the Mini E-Z from pallet.

- (A) Remove any plastic and cardboard from unit.
- (B) Remove and unpack the backboard and goal.
- (C) Carefully remove the unit from the pallet.

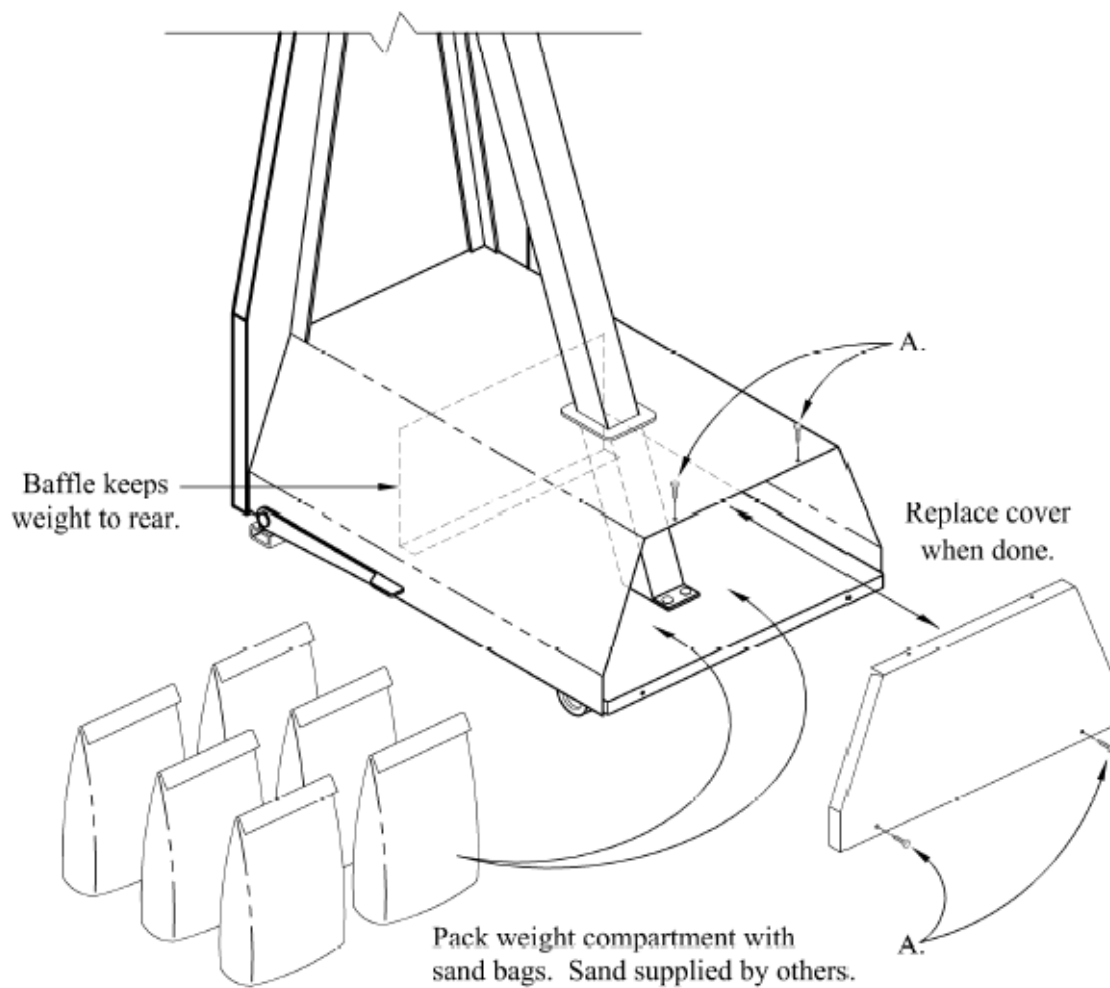


Step 2: Add ballast weight.

NOTE: Ballast weight must be added to the base before attaching the backboard and beginning play.

BALLAST MATERIAL: Approximately 250 lbs. of dry sand is recommended to fill the 6 bags shipped with the unit (enclosed in the base). Other materials may be used such as bricks, patio blocks, or steel weights. The ballast material is not included with the unit.

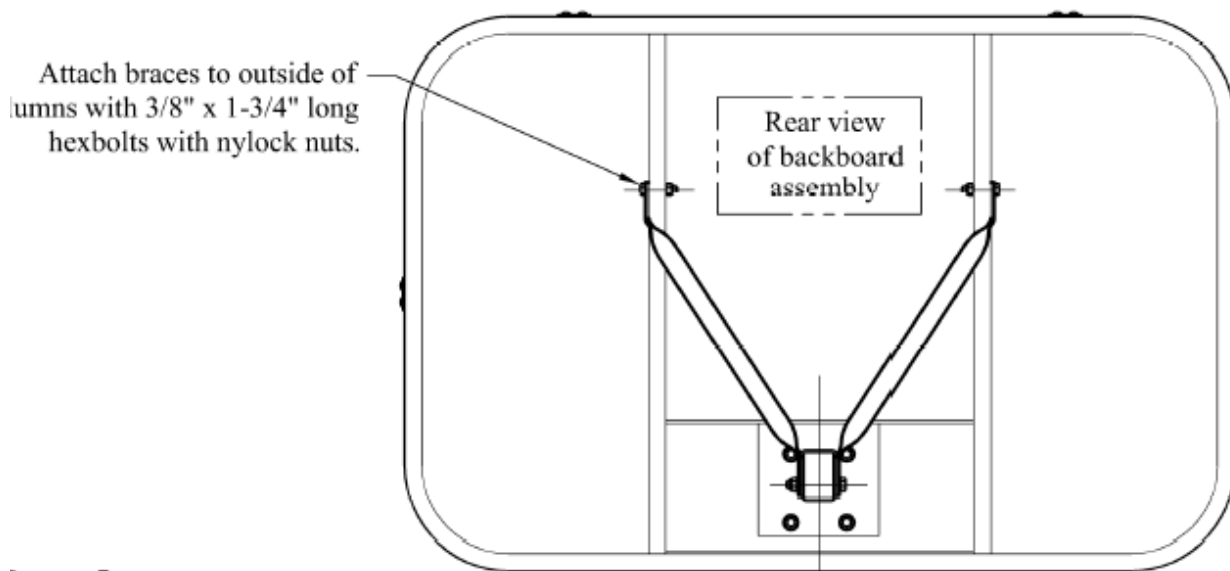
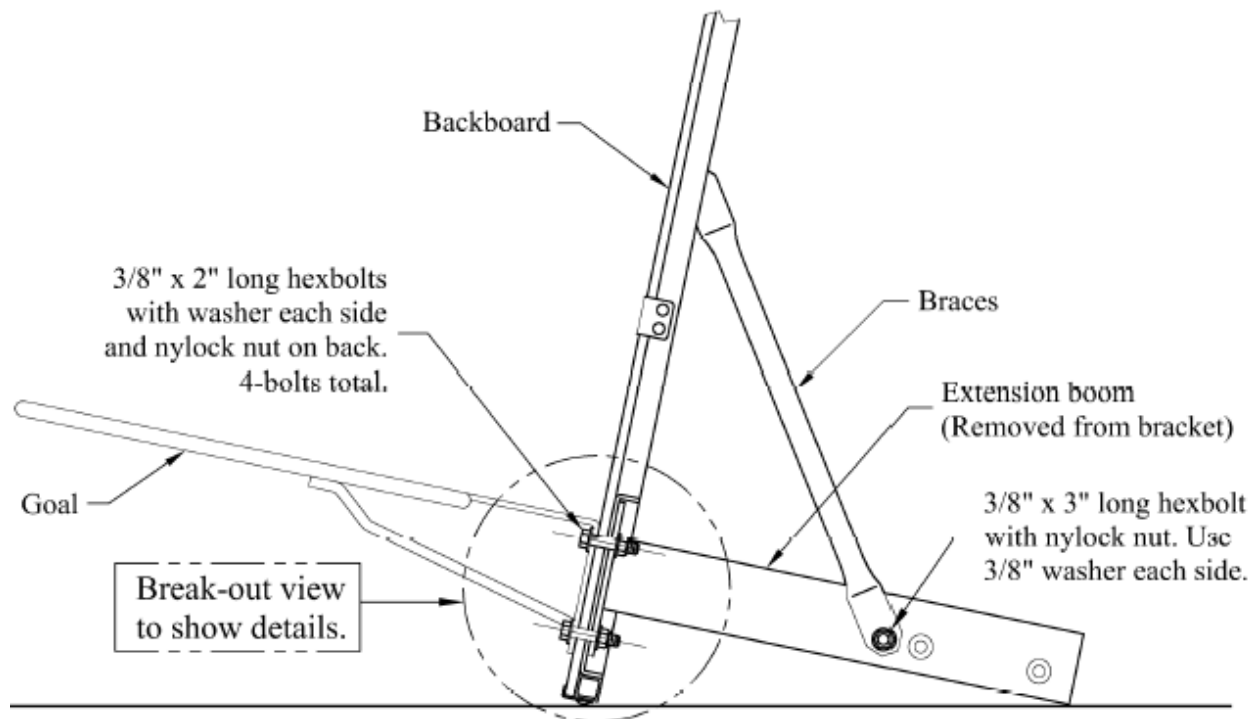
- (A) Undo 4 screws and remove the rear end panel of the base.
- (B) From inside base, remove 2 backboard braces and 6 bags used to hold sand.
- (C) Fill sand bags approximate 2/3 full. Tie the inner plastic lining shut before tying or sewing the outer cloth bag.
- (D) Pack the sand bags in the rear weight compartment of the base around the center post. The sand bags should fill most of the space.
- (E) Replace the rear cover.



Step 3: Assemble goal, backboard, and extension boom.

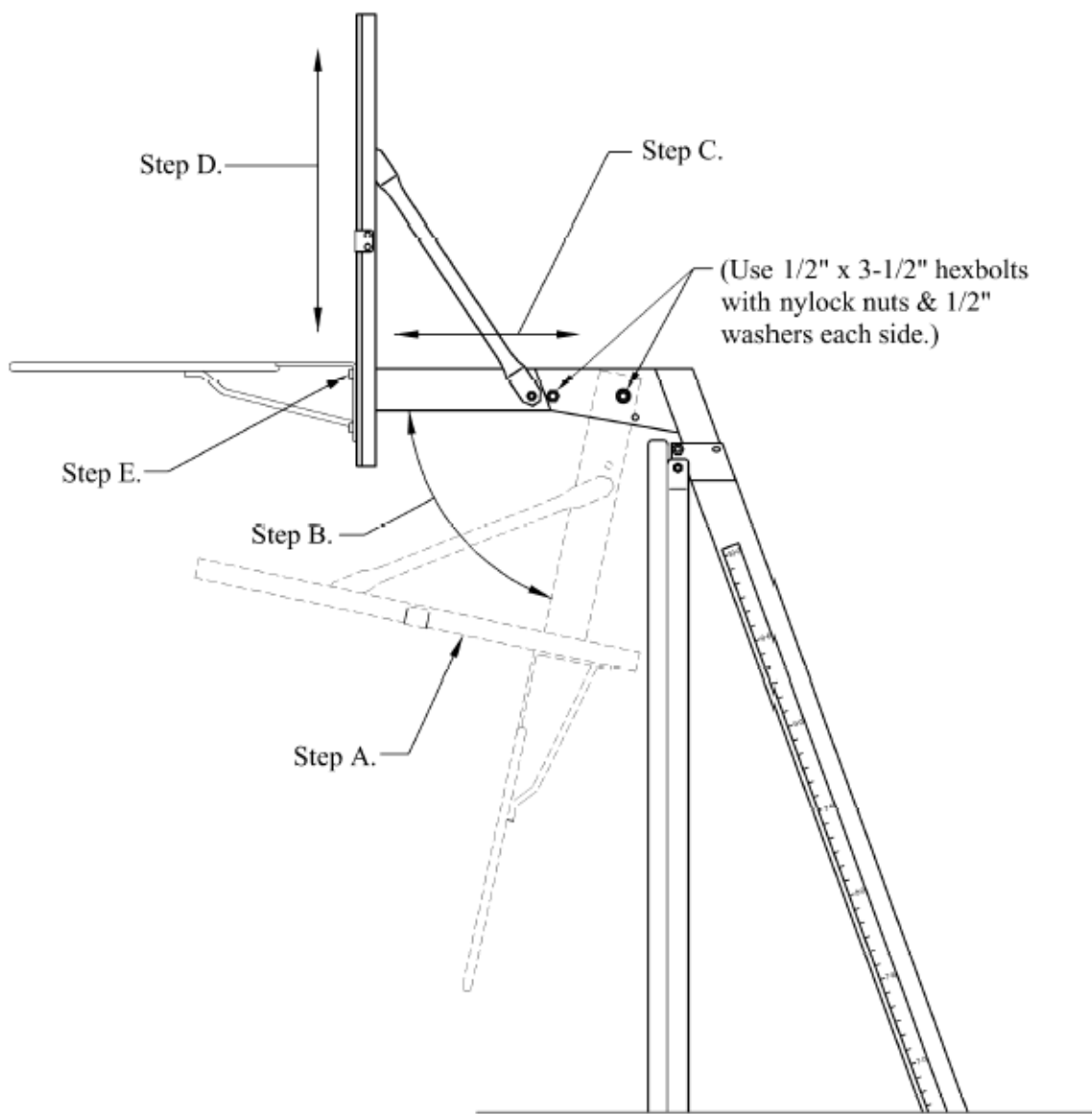
*NOTE: Since the goal, backboard and boom are connected with the same four bolts, it is easier to pre-assemble these parts on the floor, then re-attach the boom extension back to it's support bracket. (See step 4 next page.)

Follow all notes in the illustration below. Leave bolts snug till leveling.

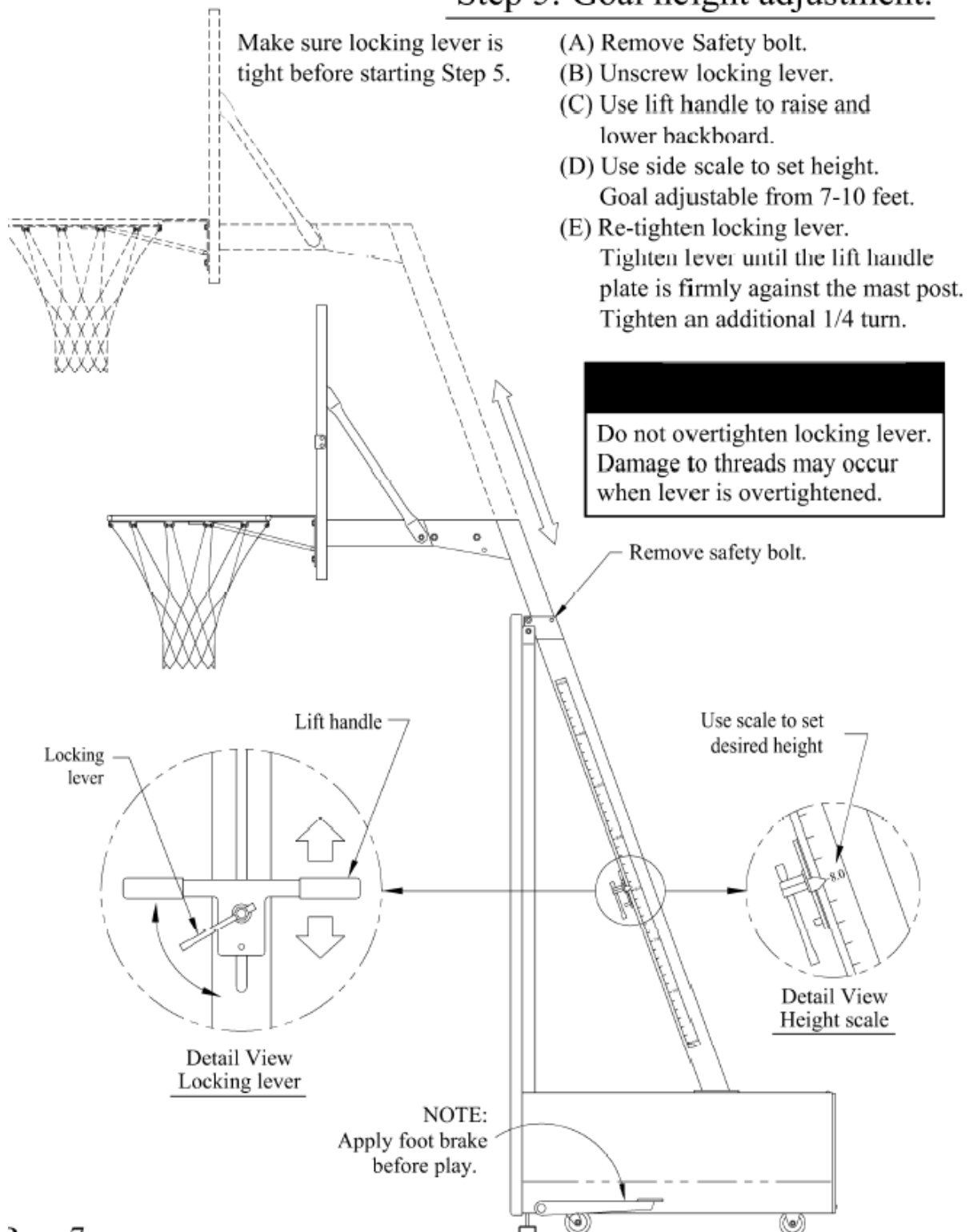


Step 4: Attach backboard assembly to extension post.

- (A) Lift backboard assembly up to support bracket and insert 1st bolt as shown.
It is helpful to have two persons for this procedure.
- (B) Swing the extension boom up to a horizontal position. Insert 2nd bolt.
- (C) Level the extension boom and tighten 1/2" bolts at the support bracket.
- (D) Align the backboard and goal vertically and horizontally.
- (E) Tighten all remaining bolts.

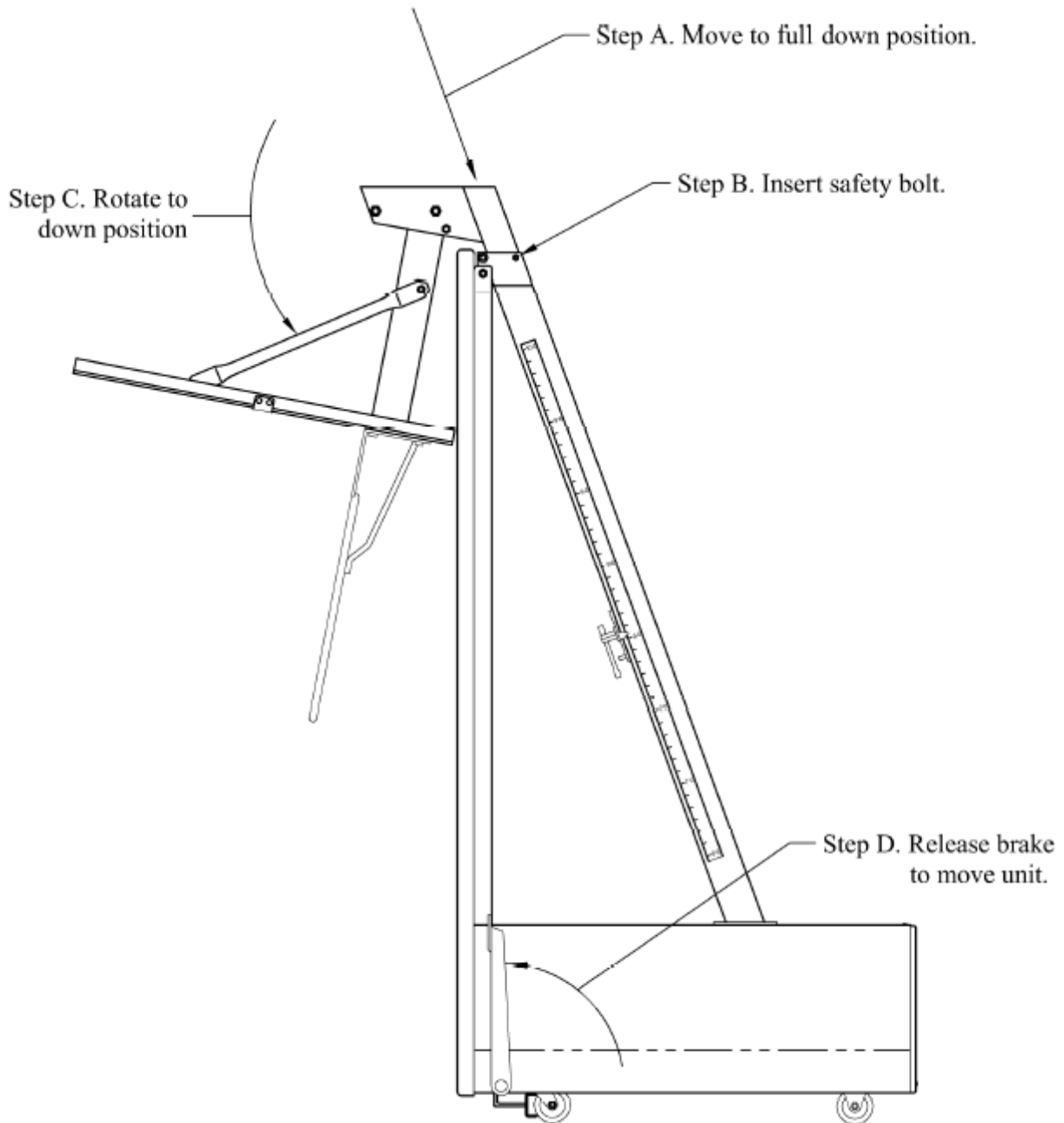


Step 5: Goal height adjustment.



Step 6: Folding goal for storage.

- (A) Move the backboard and extension column to full down position.
- (B) Reinsert safety bolt for long term storage.
- (C) Remove front bolt and rotate backboard assembly to down position.
- (D) Disengage foot brake for easy roll-around.





Gared Holdings, LLC

**Performance Sports Systems
9200 E. 146th Street
Noblesville, IN 46060**

**800-848-8034
www.perfsports.com**

**Gared Sports
707 North 2nd Street
St. Louis, MO 63102**

**800-325-2682
www.garedsports.com**