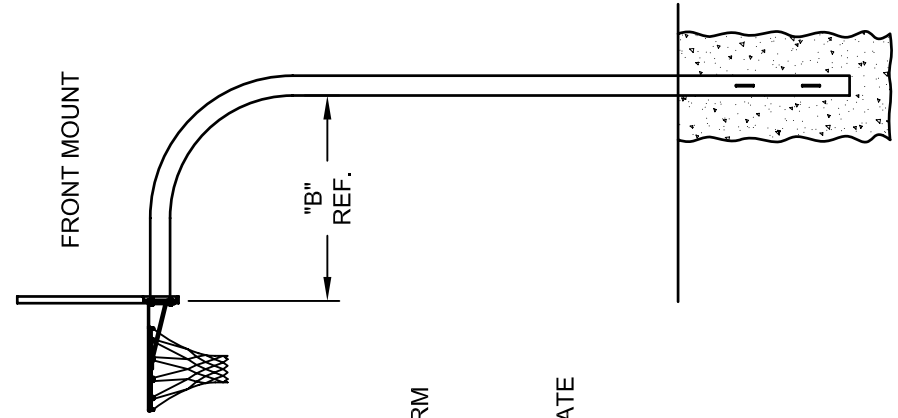
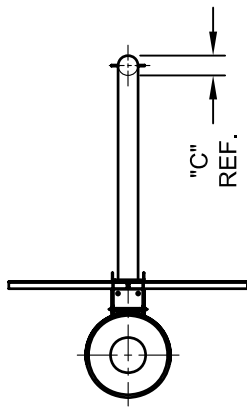


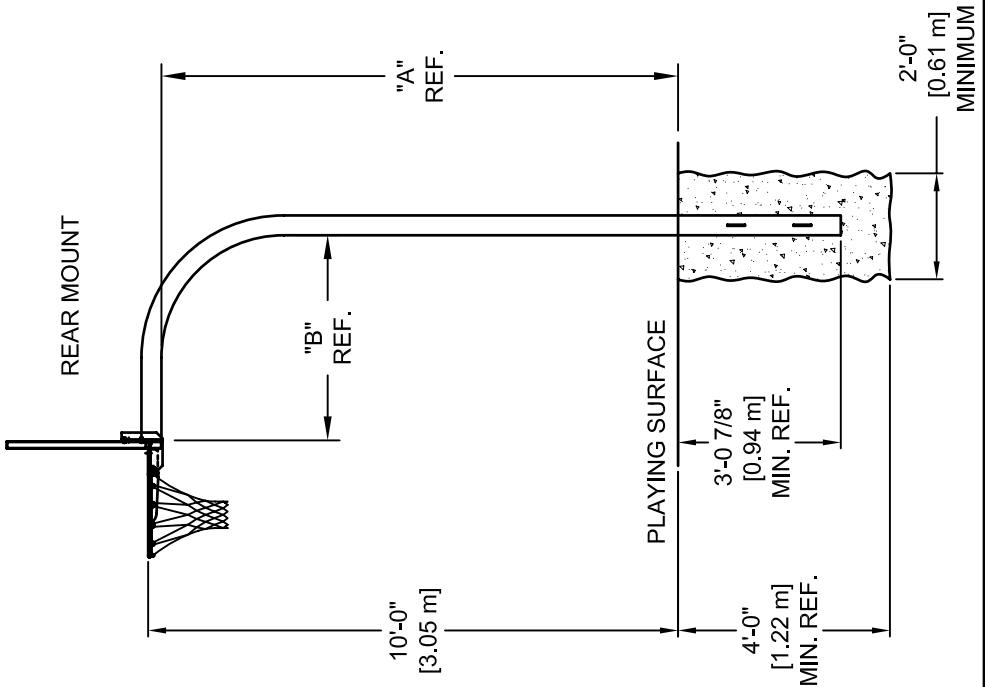
FRONT MOUNT GOAL			
MODEL	DIM. "A" Ft.-In. (Meters)	DIM. "B" In. (Meters)	DIA. "C" In. (MM)
GNA 35F	9'-7.5" (2.93M)	34.0" (.86M)	3.5" (89mm)
GNA 45F	9'-7.0" (2.92M)	46.5" (1.18M)	4.5" (114mm)
GNA 455F	9'-7.0" (2.92M)	58.5" (1.49M)	4.5" (114mm)

REAR MOUNT GOAL			
MODEL	DIM. "A" Ft.-In. (Meters)	DIM. "B" In. (Meters)	DIA. "C" In. (MM)
GNA 35R	9-9.5" (2.98M)	34.0" (.86M)	3.5" (89mm)
GNA 45R	9'-9.0" (2.97M)	46.5" (1.18M)	4.5" (114mm)
GNA 455R	9-9.0" (2.97M)	58.5" (1.49M)	4.5" (114mm)



NOTE:  
DIMENSION "A" IS FROM THE  
UNDERSIDE OF THE POST ARM  
TO THE PLAYING SURFACE.

NOTE:  
DIMENSION "B" IS FROM THE  
FACE OF THE MOUNTING PLATE  
TO THE EDGE OF THE POST.



REVISION		
REV.	DATE	BY
-	-	-



Gared Holdings, LLC  
9200 E. 146th St. Noblesville, IN 46060

THIS DOCUMENT CONTAINS TRADE SECRET AND OTHER MATERIALS WHICH ARE PROTECTED BY CONFIDENTIALITY NOTICE AND AGREEMENT AND BY COPYRIGHT. ANY USE OR COPYING OF THIS DOCUMENT EXCEPT AS AUTHORIZED BY GARED HOLDINGS, LLC IS STRICTLY PROHIBITED.

GOOSENECK SYSTEM WITHOUT BRACES					
DRAWN	CONNERLEY	DATE	06/03/08	MATERIAL	N/A
APPROVED	JJC	DATE	06/03/08	FINISH	N/A
FILE LOC.	Q:\Final Release\Specifications			DWG. NO.	GNA35-45
SIZE	SCALE	SHT. NO.	PART NO.	REV	
A	NONE	1 OF 1	GNA35-45	-	



## MODEL GNA35 and MODEL GNA45

### GOOSENECK OUTDOOR BASKETBALL SYSTEM

#### **GNA35**

This unit uses a gooseneck design to extend the backboard 36" out from the post. The post shall be 3 1/2" O.D. x 0.18" wall galvanized pipe. The mounting plate is used as a direct goal attachment for the backboard. The system can be used with all outdoor front and rear mounted boards and goals.

Post shall extend into the concrete footing at least 36". Concrete footing shall be 24" minimum in diameter and 48" minimum deep.

**Concrete for installation not included.**

#### **GNA45**

This unit uses a gooseneck design to extend the backboard 48" out from the post. The post shall be 4 1/2" O.D. x 0.18" wall galvanized pipe. The mounting plate is used as a direct goal attachment for the backboard. The system can be used with all outdoor front and rear mount boards and goals.

Post shall extend into the concrete footing at least 36". Concrete footing shall be 24" minimum in diameter and 48" minimum deep.

**Concrete for installation not included.**