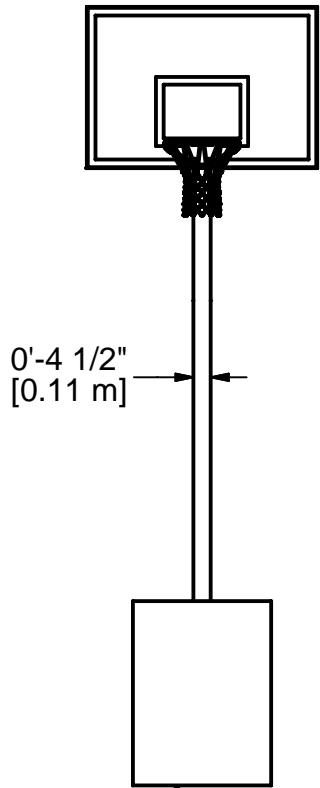
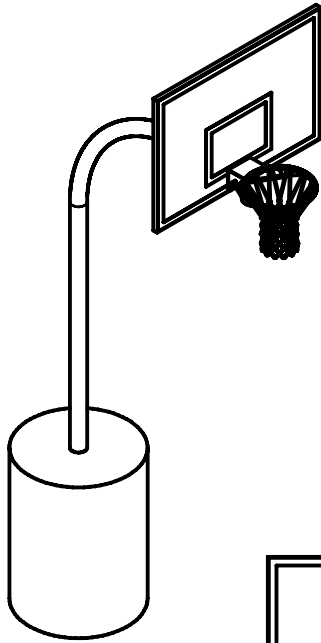
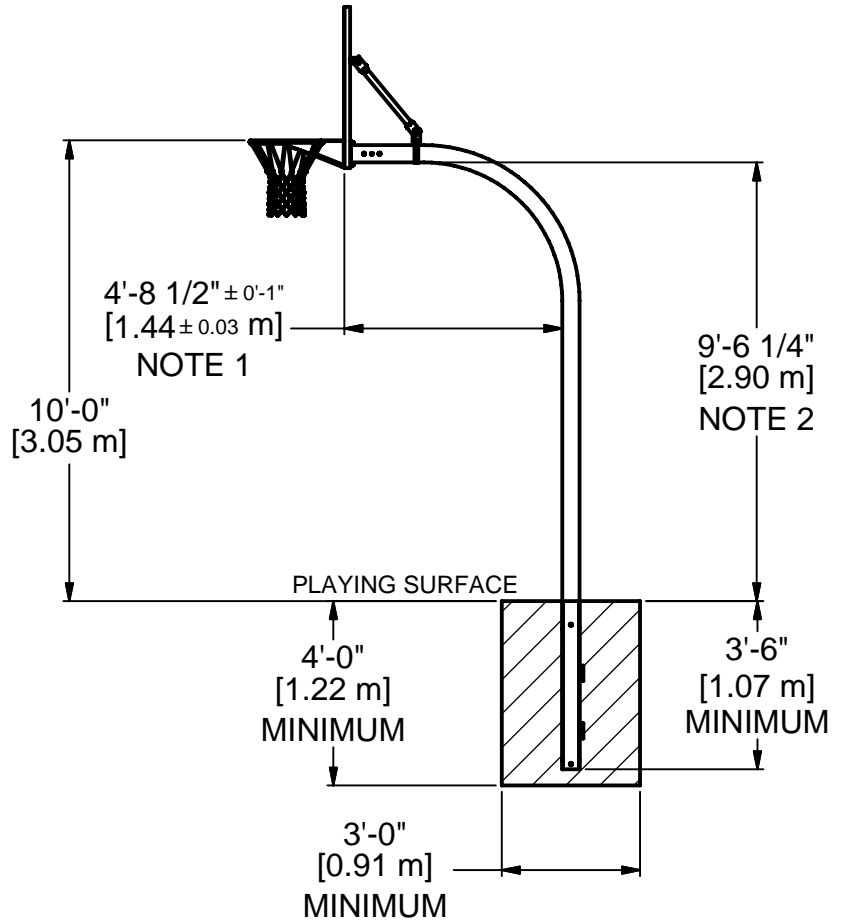


NOTES:

- 1) DIMENSION IS FROM FRONT SURFACE OF POST TO FRONT FACE OF BOARD
- 2) DIMENSION IS FROM UNDERSIDE OF POST ARM SURFACE TO THE PLAYING SURFACE



CONCRETE
BY OTHERS



REV	BY	DATE




Gared Holdings, LLC
9200 E. 146th St. Noblesville, IN 46060

THIS DOCUMENT CONTAINS TRADE SECRET AND OTHER MATERIALS WHICH ARE PROTECTED BY CONFIDENTIALITY NOTICE AND AGREEMENT AND BY COPYRIGHT. ANY USE OR COPYING OF THIS DOCUMENT EXCEPT AS AUTHORIZED BY GARED HOLDINGS, LLC IS STRICTLY PROHIBITED.

4 1/2" BRACED GOOSENECK SYSTEM

DRAWN CONNERLEY	DATE 6/11/2010	DATE ISSUED 6/11/2010
APPROVED CONNERLEY	DATE 6/11/2010	

FILE LOC. Q:\Inventor Files\Specification Files

SIZE A	SCALE NONE	SHT. NO. 1 OF 1	PART NO. GN45-5	REV
------------------	---------------	--------------------	---------------------------	-----



MODEL GN45-5

GOOSENECK OUTDOOR BASKETBALL SYSTEM

GN45-5

This unit uses a gooseneck design to extend the backboard 60" out from the post. The post shall be 4 1/2" O.D. x 0.18" wall galvanized pipe. The mounting plate is used as a direct goal attachment for the backboard. Two braces extending from the upper mounting points of the backboard to the gooseneck extension provide added rigidity to the system. The system can be used with all outdoor front and rear mount boards and goals.

Post shall extend into the concrete footing at least 36". Concrete footing shall be 24" minimum in diameter and 48" minimum deep.

Concrete for installation not included.