



All Pro Jam Adjustable Basketball System
Models: GP12G72DM, GP12A72DM, & GP12P72DM



Installation, Operation and Maintenance Instructions

.....
Please read all instructions before attempting installation or operation of these units
.....

SAVE THESE INSTRUCTIONS FOR FUTURE USE



Table of Contents

<u>Section</u>	<u>Page No.</u>
Introduction.....	1
Safety	2
Specifications	3
Parts Checklist	4-5
Installation.....	6-18
Optional Post and Backboard Padding	19-20

INTRODUCTION

Thank you for your purchase of a Gared Sports model All Pro Jam Adjustable Backstop. To ensure that our equipment will provide years of use to you, we are including this installation, operation, and maintenance guide. This guide will provide information on the proper assembly and installation methods, operating procedures, and preventative maintenance of your portable backstop.


Please note that a Bill of Materials is being included with this guide. Please check that all of the parts called out on the Bill of Materials are present prior to beginning assembly and setup. Please do not substitute for factory parts. Please contact your dealer or Gared or Performance Sports Systems customer service department and allow them to determine if substitute parts are acceptable.

It is recommended that an individual who has been properly trained perform assembly and set up of the backstop. No one under the age of 18 should attempt assembly or set up of the unit, unless properly supervised.

To prevent normal wear and tear from shortening the life of the unit, preventative maintenance inspections and repairs should be performed at least once per year. If the units are subject to high or unusual usage, inspections should be scheduled to occur more frequently. If items are found to be nonconforming, replacements can be ordered from Gared, Performance Sports Systems, or one of our authorized dealers. When contacting Gared or PSS, please have information regarding the dealer/installer who sold the unit, the name of the project, and any applicable warranty information.

SAFETY

Read and understand the following warnings to prevent possible personal injury and potential damage to the equipment during assembly, setup, and operation.

 **WARNING**

FAILURE TO FOLLOW THESE WARNINGS MAY RESULT IN SERIOUS INJURY AND/OR PROPERTY DAMAGE.

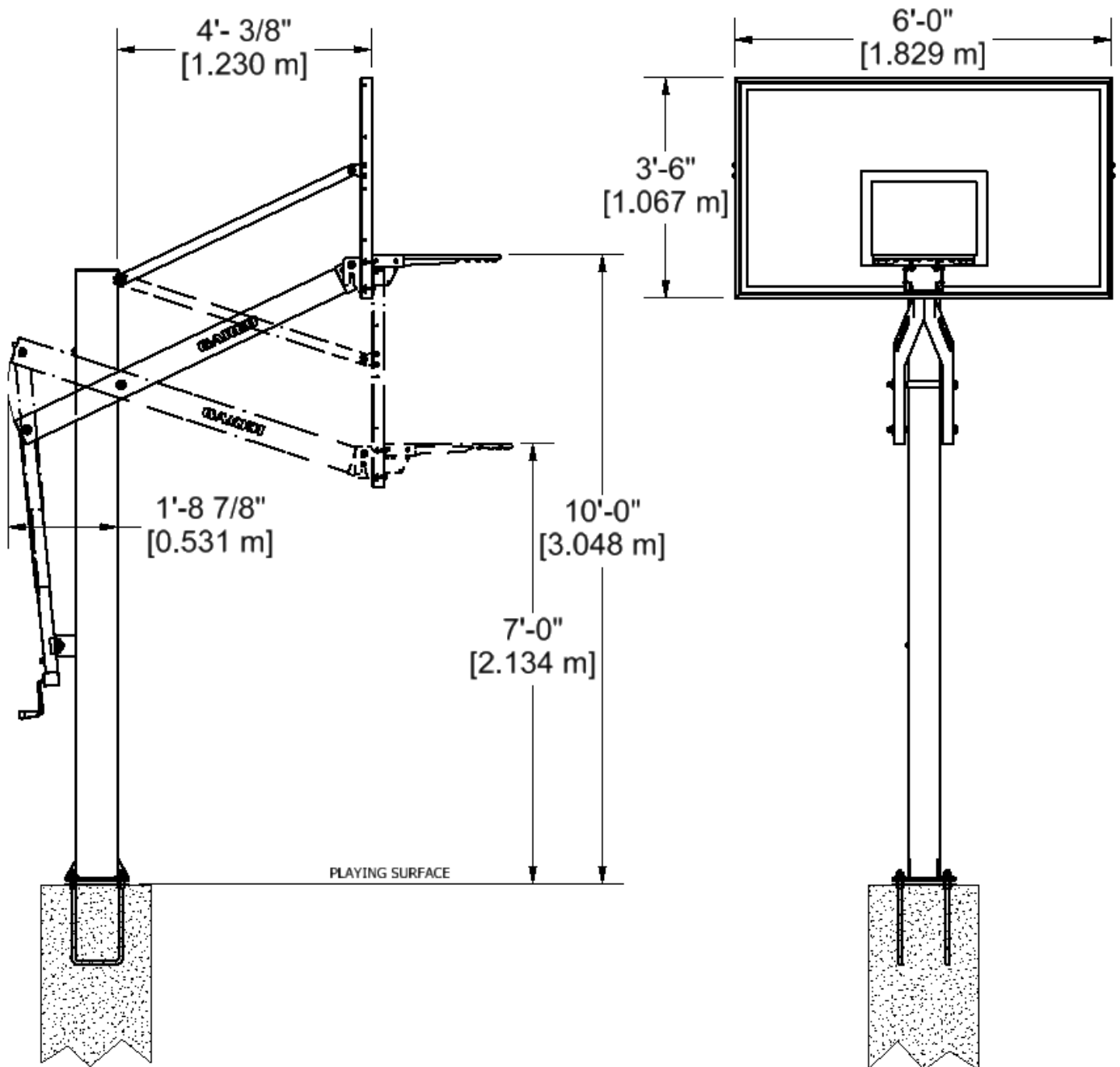
- Do not hang on goal, board or net.
- Do not climb or play on pole or arms.
- Do not hang or place additional weight on backboard or arms.
- Do not adjust goal height without adult supervision.
- Keep hands away from moving parts when adjusting goal.
- Inspect pole system twice a year for rust and repair or replace as required.
- Read and understand operator's manual before operating unit.

123051518

Before proceeding with assembly, read all instructions and assembly procedures. Make sure all parts have been received and are not damaged.

SPECIFICATIONS

MODEL	GP10G72DM	GP10A72DM	GP10P72DM
Backboard	1/2" GLASS	3/8" ACRYLIC	1/2" POLYCARB
Weight lb [kg]	503 [228]	449 [204]	459 [208]



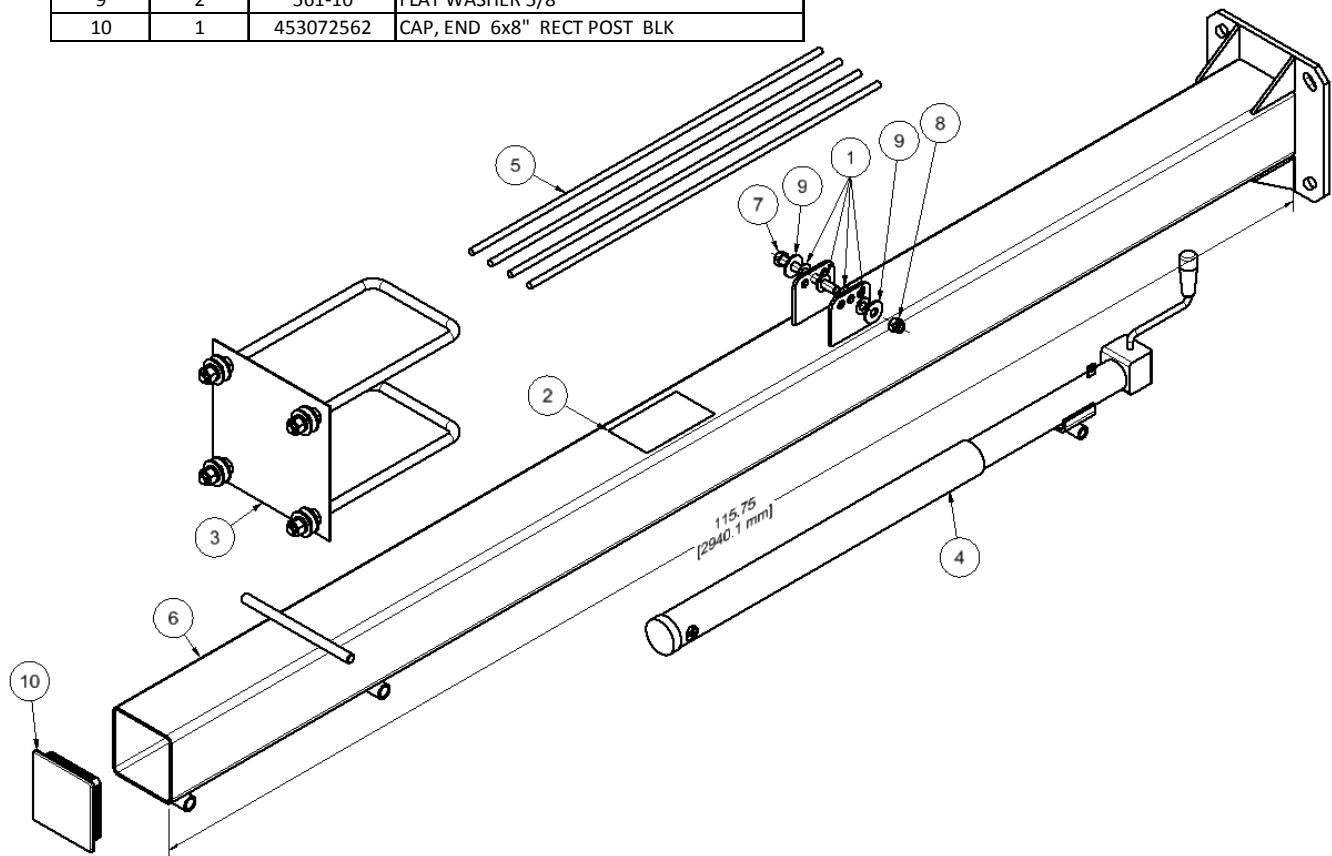
PARTS CHECKLIST

Your unit should be shipped with the following packages. Be sure that all packages and parts are received before proceeding with installation. Please refer to your packing slip to verify the correct board and goal has been received. Contact Gared Customer Service at 800-325-2682 or PSS Customer Service at 800-848-8034 for assistance with replacement of any parts missing or damaged.

MODEL	POST PKG	ARMS PKG	BOARD	GOAL	OPTIONAL PADS		
					BASE	POLE	BOARD
GP12G72DM	453072576	453072577	BB72G50HH	2000	BP8SQ	PP8SQF or PP8WR	LSCE72
GP12A72DM	453072576	453072577	BB72A38	2000	BP8SQ	PP8SQF or PP8WR	LSCE72
GP12P72DM	453072576	453072577	BB72P50	2000	BP8SQ	PP8SQF or PP8WR	LSCE72

453072576 POST PKG, GP12-DM

ITEM	QTY	PART NUMBER	DESCRIPTION
1	4	103055665	WASHER, FLAT .66 X 1.31 X .06 DELRIN BLK
2	1	123051518	DECAL, WARNING GP SERIES
3	1	153055631	BASE HARDWARE KIT W/ TEMPLATE PL.
4	1	451652530	ACTUATOR ASSY, GP SERIES
5	4	451652565	REBAR, 1/2 X 36" LONG
6	1	453072558	MAST WELDMENT, GP12
7	1	502-10-11-88	HEX BOLT, 5/8-11 UNC X 5.5
8	1	545-10-11	HEX NUT, NYLON LOCK 5/8-11
9	2	561-10	FLAT WASHER 5/8
10	1	453072562	CAP, END 6x8" RECT POST BLK





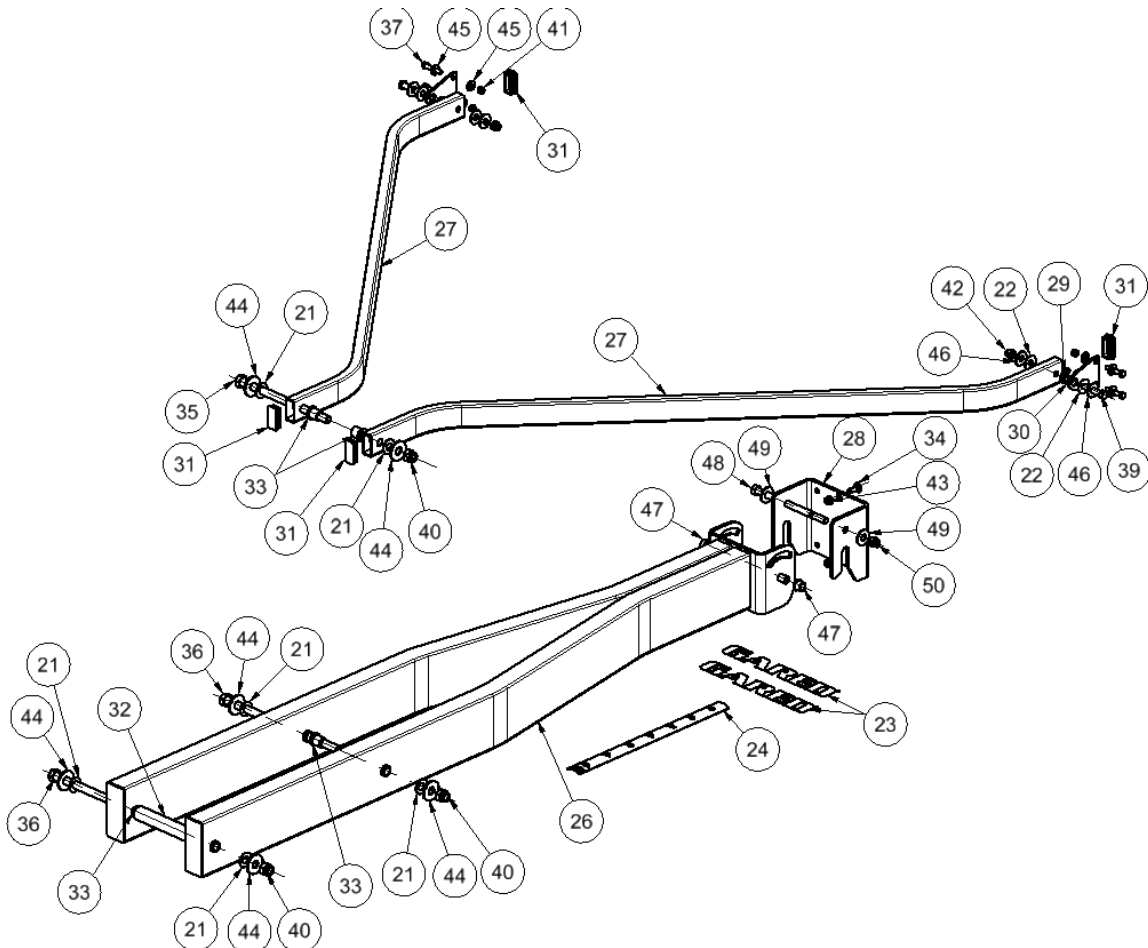
All Pro Jam Adjustable Basketball System



453072577

ARM PKG, GP12-DM

ITEM	QTY	PART NUMBER	DESCRIPTION
21	6	103055665	WASHER, FLAT .66 X 1.31 X .06 DELRIN BLK
22	4	111553503	WASHER, FLAT .50 X 1.25 X .06 DELRIN BLK
23	2	121974131	DECAL, GARED 1.7" WHITE
24	1	123051517	DECAL, HEIGHT ADJUST GP10/12-DM
25	1	451752582	MANUAL, INSTAL-OPER GP12DM
26	1	453072560	LIFTING ARM WELDMNT, GP12DM
27	2	453052542	TUBE, FORMED UPPER ARM GP10/12DM
28	1	453074189	BOARD MOUNTING BRACKET
29	2	453055660	FLANGE BUSHING NON-METALLIC 12mm
30	2	453055675	UPPER BACKBOARD MOUNTING BRACKET
31	4	453075000	CAP, END 1 X 2" TUBE BLK
32	1	453102433	TUBE, ARM PIVOT DS
33	6	453102434	FLANGE BUSHING, NON-METALLIC 16mm
34	2	501-6-16-16	BOLT, CARRIAGE 3/8-16 UNC X 1
35	1	502-10-11-160	HEX BOLT, 5/8-11 UNC X 10
36	2	502-10-11-208	HEX BOLT, 5/8-11 UNC X 13
37	4	502-5-18-28	HEX BOLT, 5/16-18 UNC X 1.75
39	2	502-7-14-40	HEX BOLT, 7/16-14 UNC X 2.5
40	3	545-10-11	HEX NUT, NYLON LOCK 5/8-11
41	4	545-5-18Z	HEX NUT, NYLON LOCK 5/16-18
42	2	545-7-14Z	HEX NUT, NYLON LOCK 7/16-14
43	2	548-6-16	HEX NUT, SERRATED FLANGE 3/8-16
44	6	561-10	FLAT WASHER 5/8
45	8	561-5	FLAT WASHER 5/16
46	4	561-7	FLAT WASHER 7/16
47	2	101553265	FLANGE BUSHING, 5/8 ID X 5/8 LONG
48	1	502-8-13-128Z	HEX BOLT, 1/2-13 UNC X 8
49	2	561-8	FLAT WASHER 1/2
50	1	545-8-13	HEX NUT, NYLON LOCK 1/2-13





All Pro Jam Adjustable Basketball System



INSTALLATION

Tools and Materials Required for Assembly:

1. (2) Adjustable Wrenches.
2. 1/4", 1/2", 9/16", 3/4", 11/16", 3/4", 15/16, 1-1/8" Wrench
3. Phillips Head Screwdriver
4. Electric Drill
5. 11/64" Drill Bit
6. Tape Measure
7. Rubber Mallet
8. Shovel
9. Post Hole Digger.
10. Carpenter's Level
11. (2) Ladders – minimum
12. (2) Sawhorses

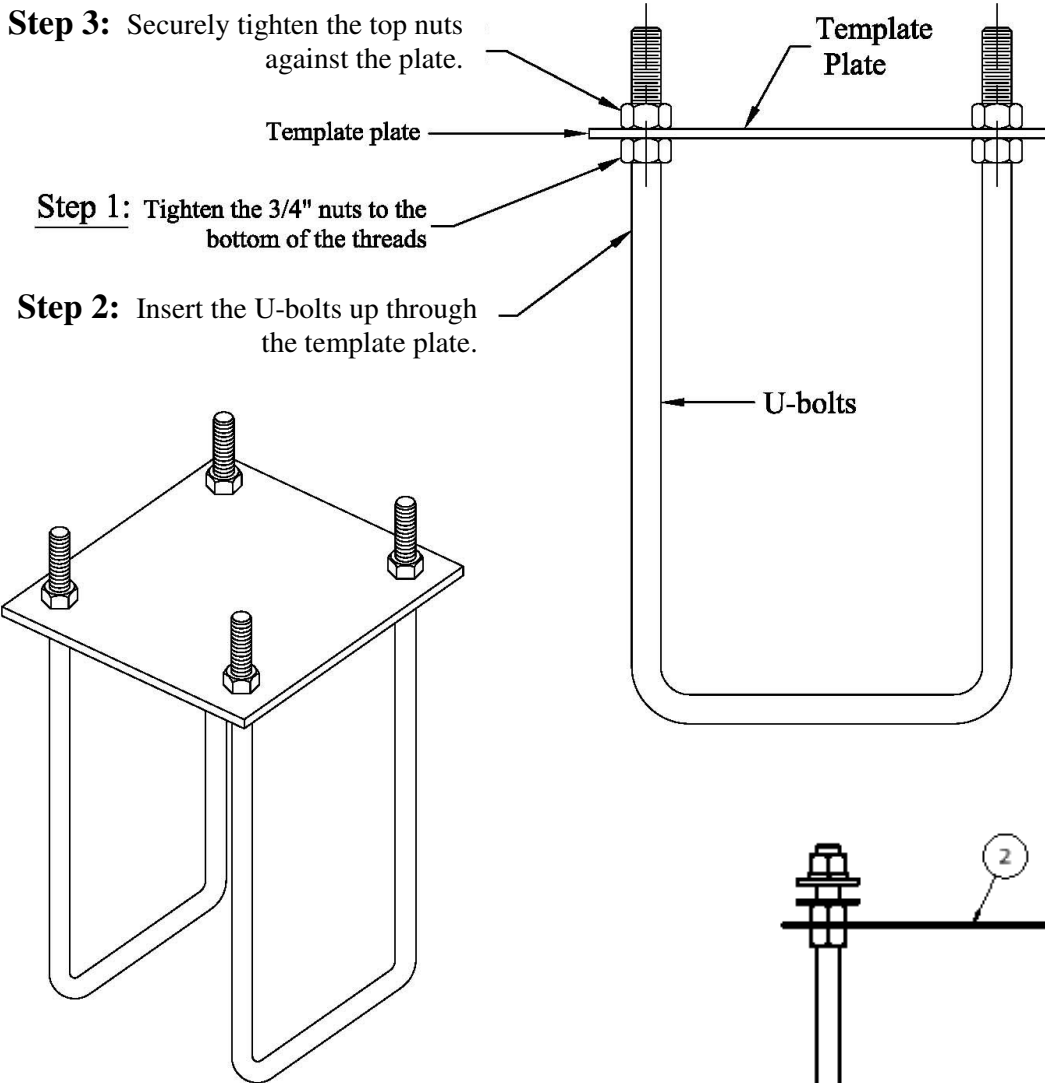
Materials Required for Assembly:

1. Concrete – 1/2 yard or 14-16 bags of pre-mix (80 lb. bags)

Template Plate Assembly

Use the illustration below to assemble the template plate and U-bolts.

Assemble the U-bolts to the Template Plate using 3/4" nuts



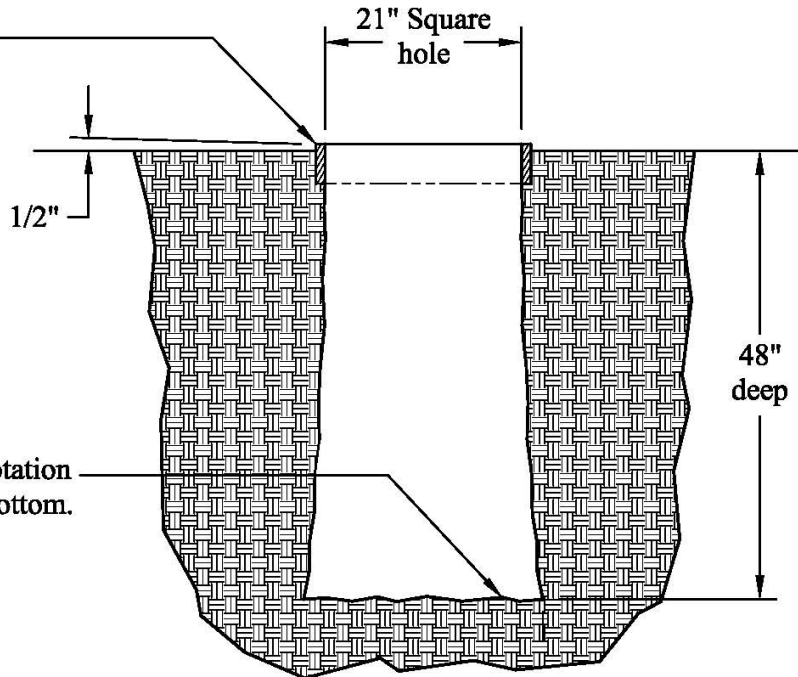
PARTS LIST			
ITEM	QTY	PART NUMBER	DESCRIPTION
1	2	453055625	U-BOLT, GP RESIDENTIAL UNITS
2	1	453055708	TEMPLATE PLATE, NEW RESIDENTIAL
3	12	541-12-10	HEX NUT 3/4-10
4	8	561-12	FLAT WASHER 3/4
5	4	562-12	SPLIT LOCK WASHER 3/4

Use the illustration below to dig and prepare the hole for anchoring the template plate & U-bolt assembly. This hole is designed to use 1/2 yard of concrete.

It is recommended to build a form to keep the top of the concrete straight and square. Place the form about 1/2" above the playing surface to allow water drainage.

Step 1. dig hole.

Hole should be square to prevent rotation and slightly wider at bottom.

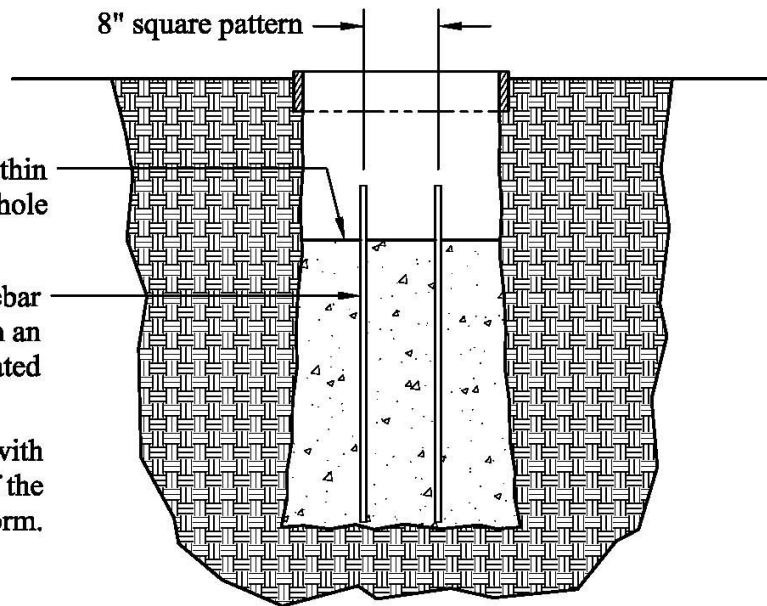


Step 2. begin pour.

Mix and pour concrete to within 18" of the top of the hole

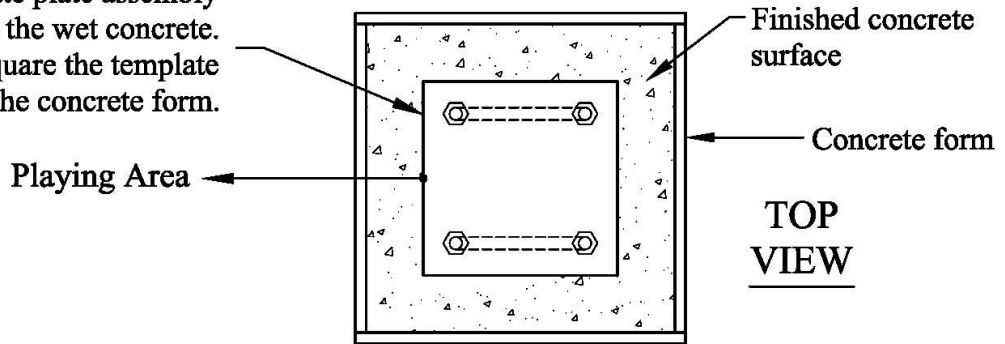
Insert the four 36" pieces of rebar to the bottom of the hole in an 8" square pattern as indicated

Finish filling the hole with concrete up the level of the top of the square form.

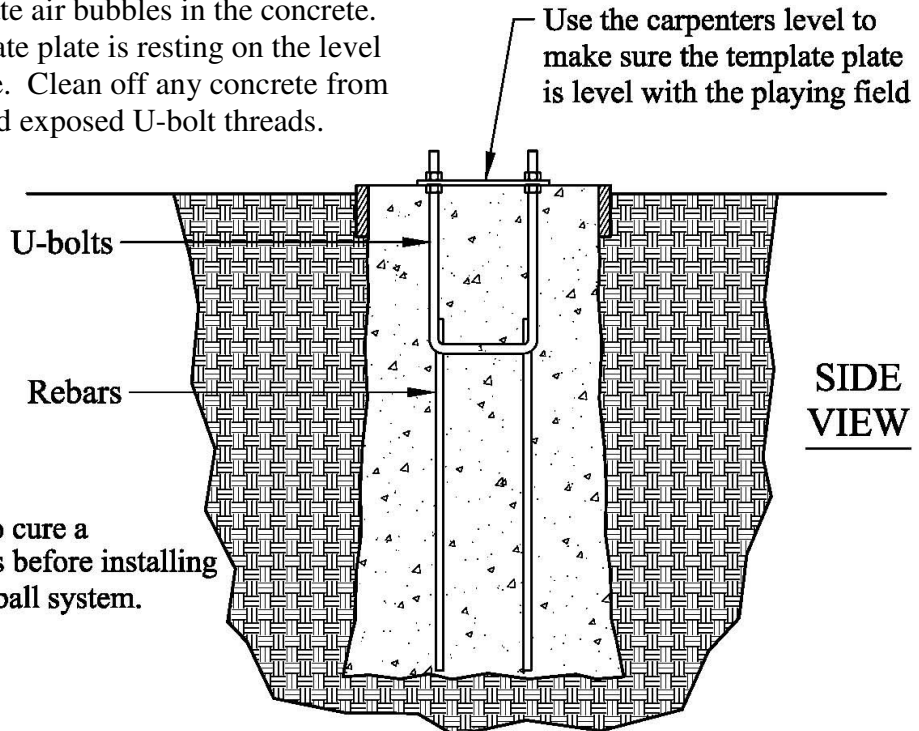


Step 3. Set the U-bolt assembly in the concrete as shown in the illustration.

Insert the template plate assembly with U-bolts into the wet concrete. Center and square the template within the concrete form.



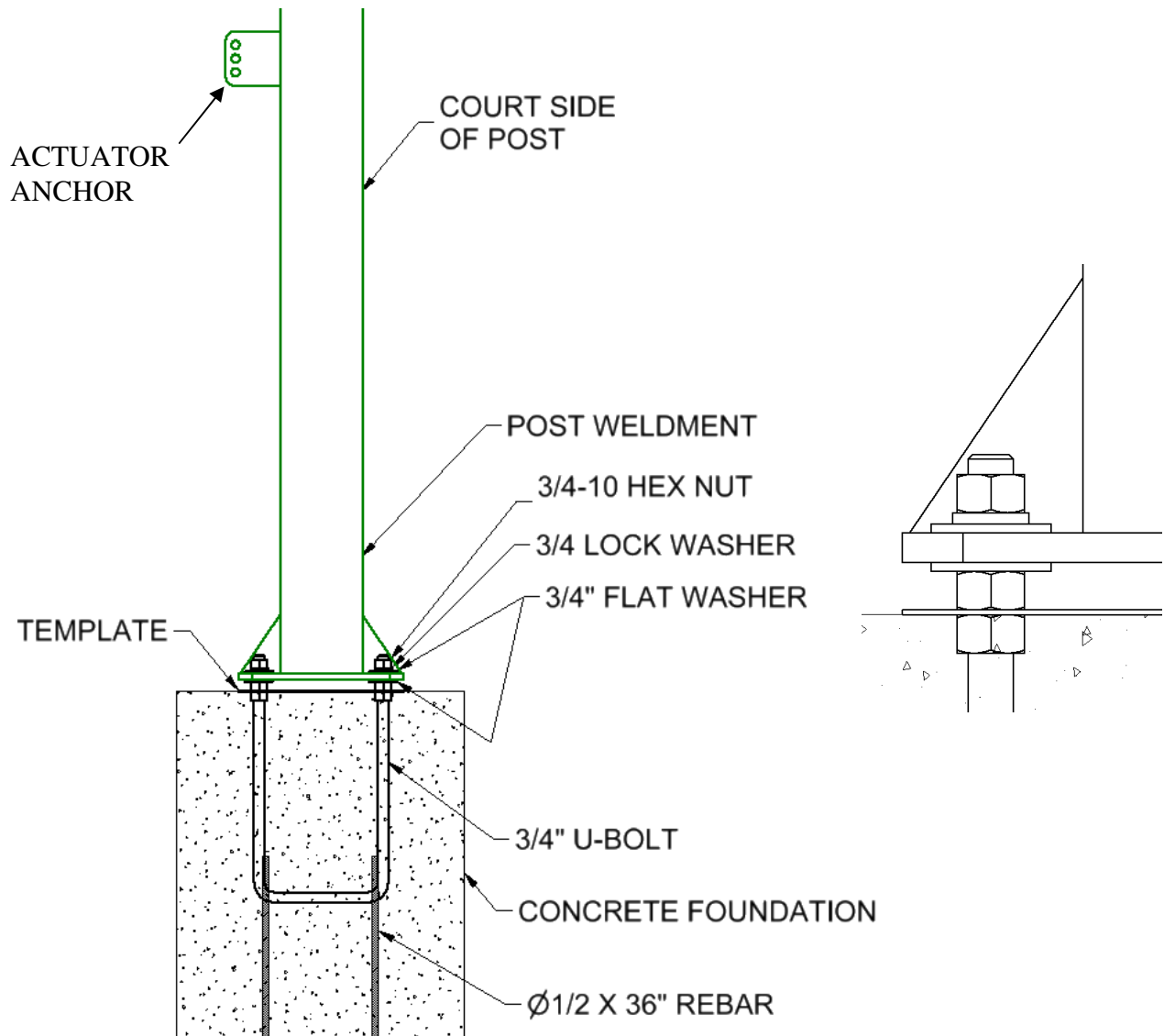
Agitate the Template plate and U-bolt assembly repeatedly to eliminate air bubbles in the concrete. Make sure the template plate is resting on the level and finished concrete. Clean off any concrete from the template plate and exposed U-bolt threads.



***Note:**
Allow the concrete to cure a minimum of 72 hours before installing the rest of the basketball system.

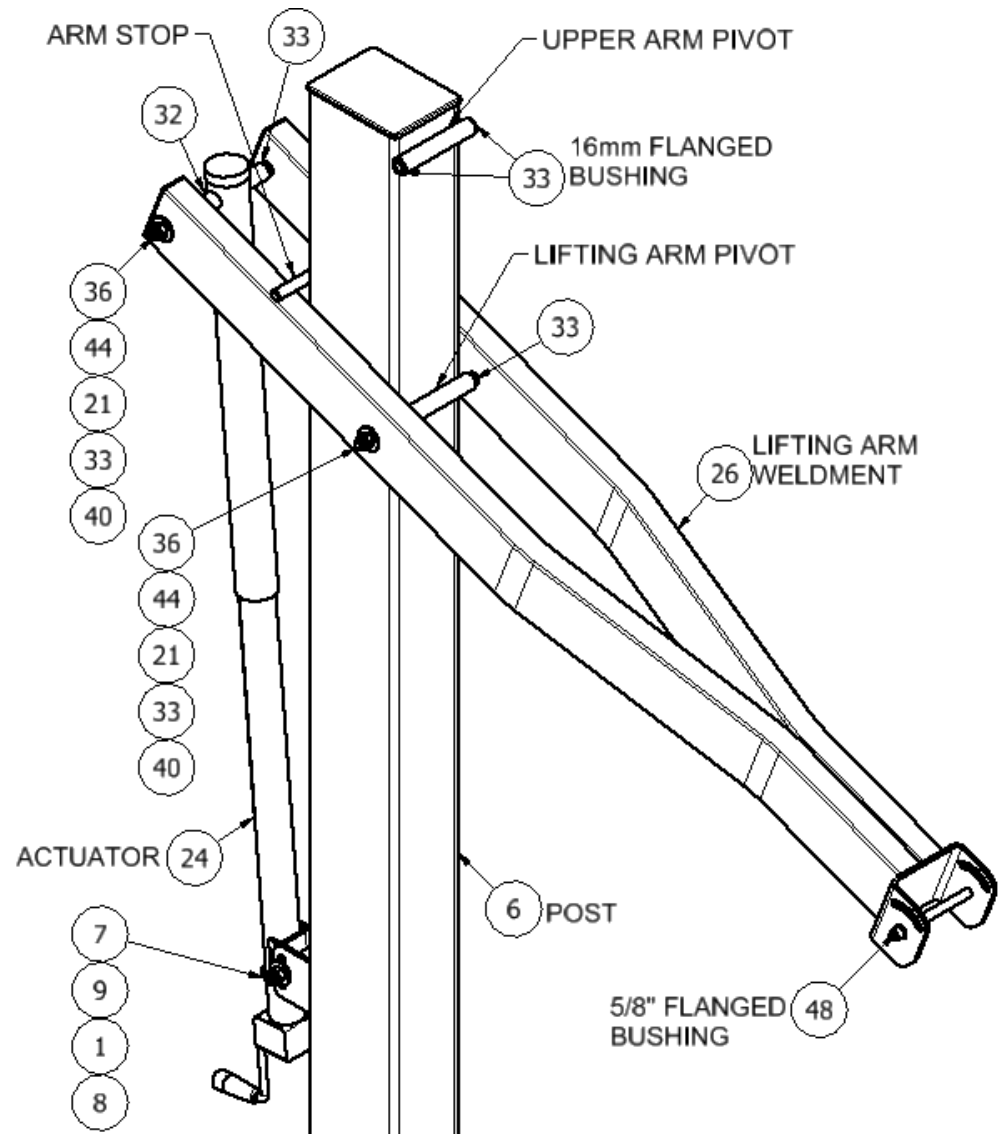
Install Post

1. Concrete should be cured for 72 hours before starting installation step.
2. Place (4) 3/4" Flat washer on top of the (4) 3/4-10 Nut.
3. Raise and place the main post over the U-bolts as shown below. The post is heavy, so use at least two people for this operation. Be sure that the post is installed with the Actuator Anchor on the side away from the court.
4. Secure post with (4) 3/4" Flat Washer, 3/4" Lock Washer, and 3/4-10 Hex Nut.
5. If the post is not exactly vertical, adjust the bottom nuts on the base to level. When the post is vertical, tighten all nuts securely.



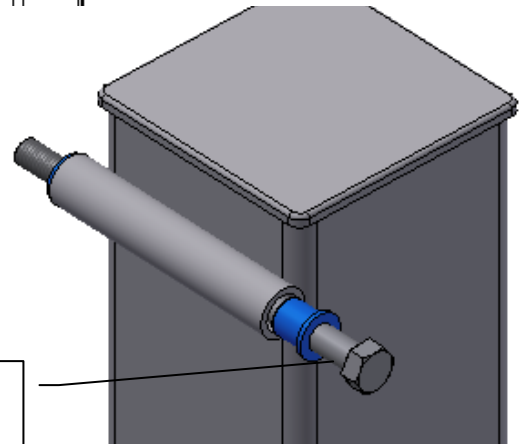
Install Lifting Arm and Actuator

Follow the steps below to assemble the unit in the proper sequence. See the instructions on the following pages for more detailed information.

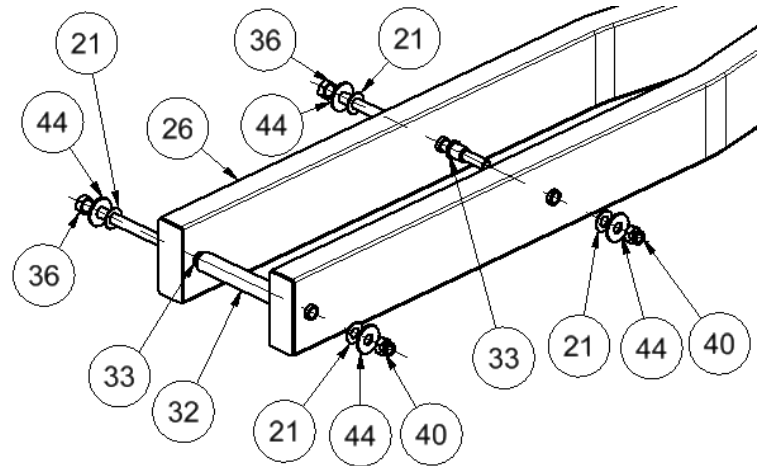


1. Install 16mm Flanged Bushing, #33, into Upper Arm Pivot & Lifting Arm Pivot and Actuator Pivot Tubes, #32. Bushings are designed to fit tightly and must be tapped gently into place with a rubber mallet using a 5/8" bolt as a guide.

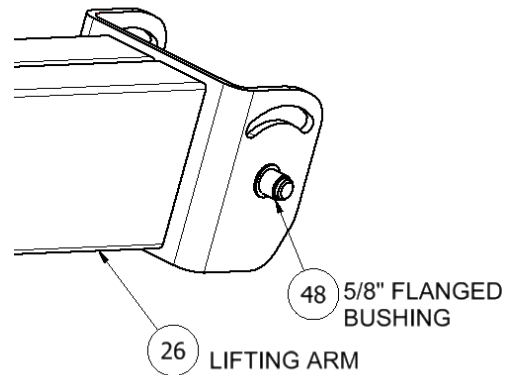
Tap on head of bolt to insert Flanged Bushing.



- Attach the Lifting Arm, #26, to the Post Weldment using 5/8 x 13" Bolt, #36, and hardware indicated. Allow Lifting Arm to rest on Arm Stop when bolt is inserted. Tighten Lock Nut to remove clearance only. **Do not torque.**

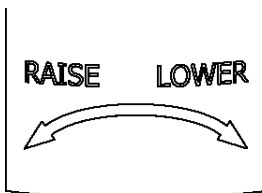
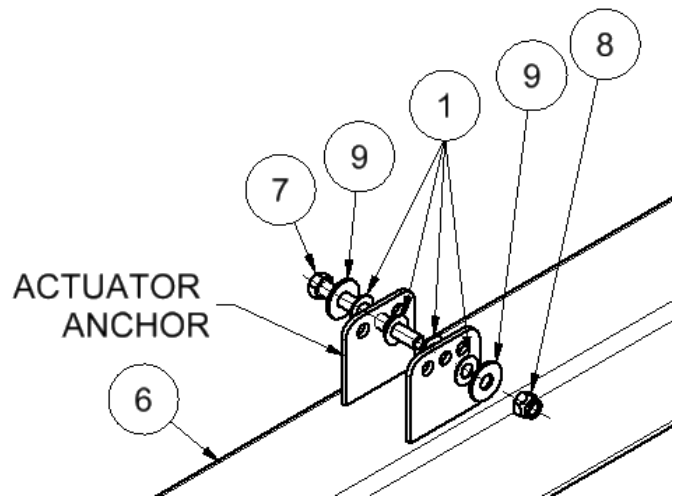


- Install 5/8" Flanged Bushing, #48, on pin protruding from each side of the Lifting Arm Weldment, #26. Install with flange side against Lifting Arm.



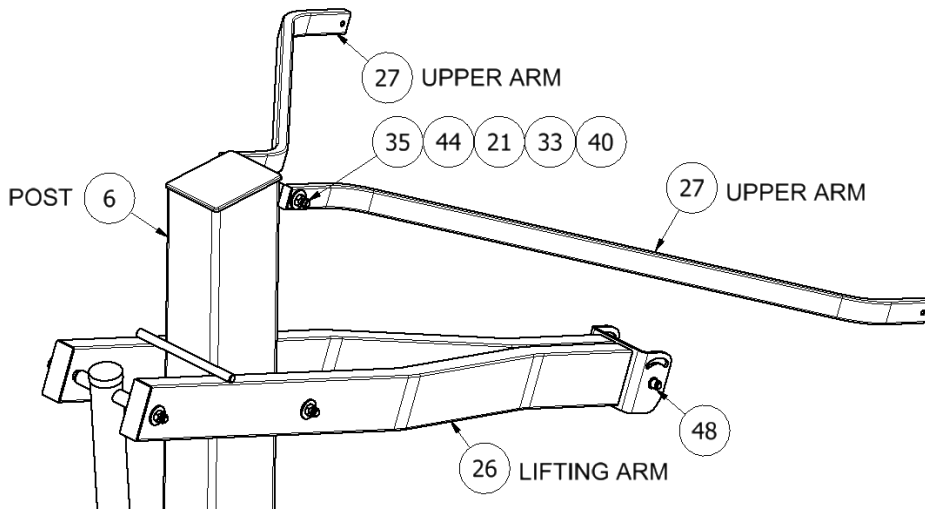
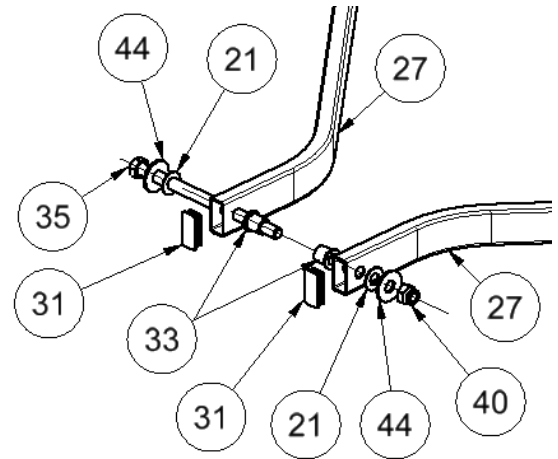
- Attached upper end of Actuator, #4, to Lifting Arm using Tube, #32 and hardware indicated. Tube should pass through both the hole in the plastic rain sleeve and the hole in the Actuator. Tighten Lock Nut to remove clearance only. **Do not torque.**

- Crank the Actuator clockwise to lengthen it until the crank end can be attached to the Anchor on the Post using a 5/8 x 5 1/2" Bolt, #7, and hardware as indicated. Tighten Lock Nut to remove clearance only. **Do not torque.**



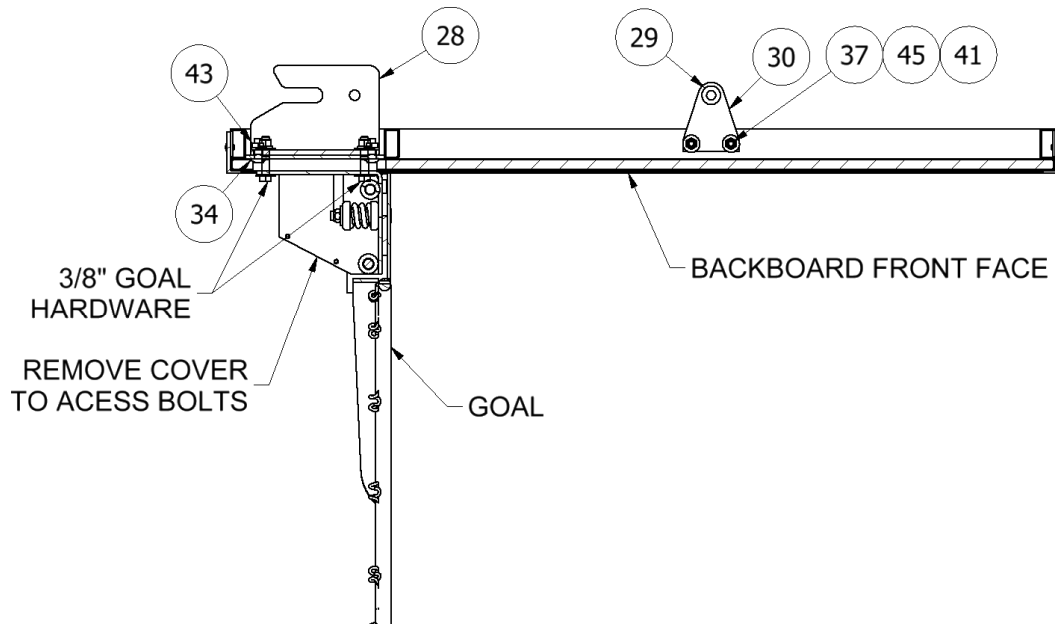
Install Upper Arms

1. Attach Upper Arms, #27, to the Upper Arm Pivot using 5/8 x 10" Bolt, #35, and hardware indicated. There are different size holes in each end of the arm. Use the larger (5/8" diameter) hole. Allow arms to swing vertically down at this time.

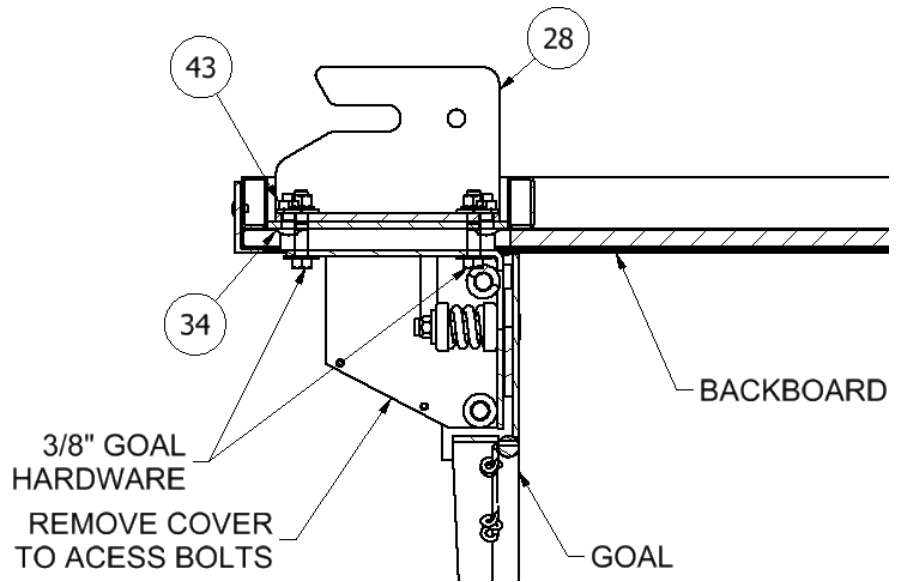


Prepare Board for Installation

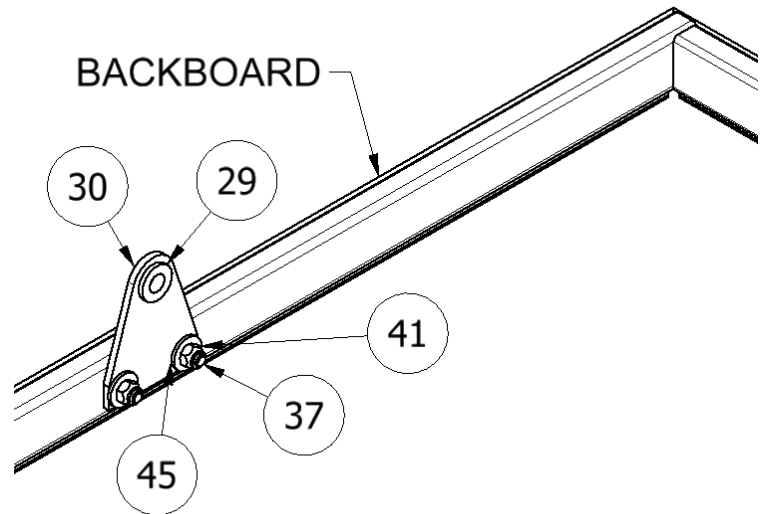
1. Support Backboard on (2) sawhorses with the goal side down. Use cardboard packing material under board face to prevent scratching glass and frame



1. Attach Board Mounting Bracket, #28, to back side of Board using 3/8" Carriage Bolt, #34, and 3/8" Wiz Lock Nut, #43, as shown.
2. Remove Goal Cover to gain access to Goal mounting hardware. Attach Goal to front side of Board using 3/8" hardware and instructions provided with goal.



3. Attach Upper Board Brackets, #30, to the inside of Backboard frame as shown using 5/16" x 1 3/4" Bolts, #37, and hardware as indicated. Tighten all bolts.
4. Install 12mm Flanged Bushing, #29, on to Upper Board Brackets, #30, as shown. Flange should face the inside of board.

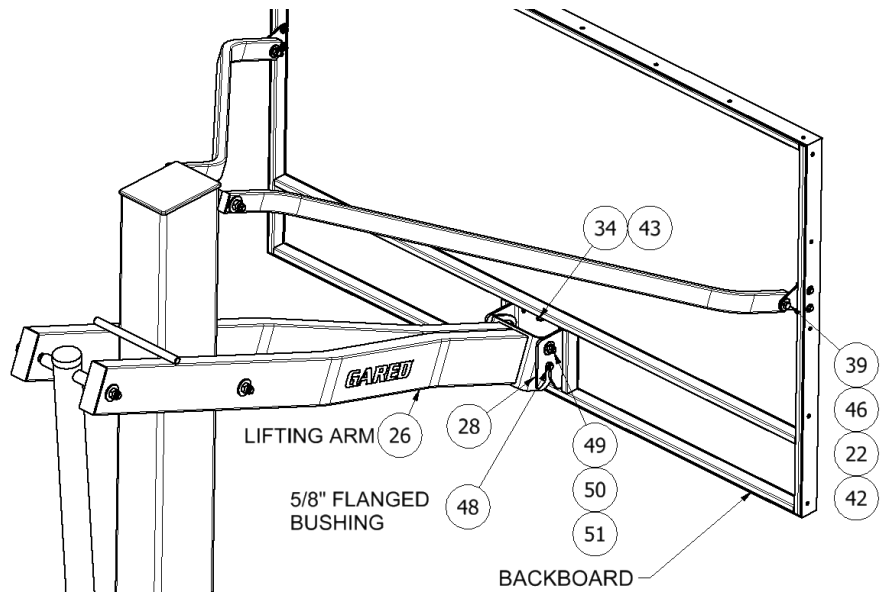


Install Board

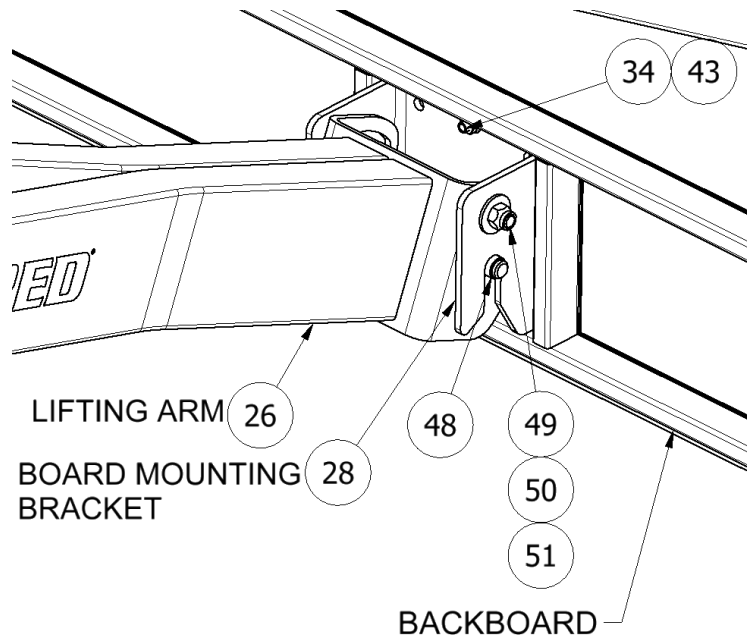
The Board, Goal, and Brackets can weigh nearly 185 lbs. Make sure that you have enough help to complete this operation safely!

1. Be sure that the 5/8" Flanged Bushing, #48, has been installed on each side of the Lifting Arm rod.
2. Lift the Backboard Assembly and hook the Board Mounting Bracket, #28, onto the Lifting Arm rod as shown. Be sure that the Bushing Flange stays to the inside of the Mounting Board Bracket.

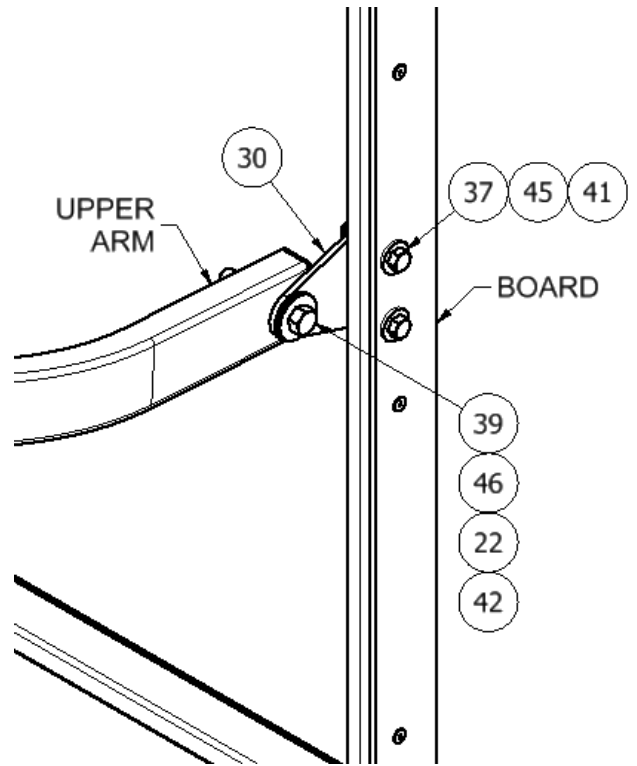
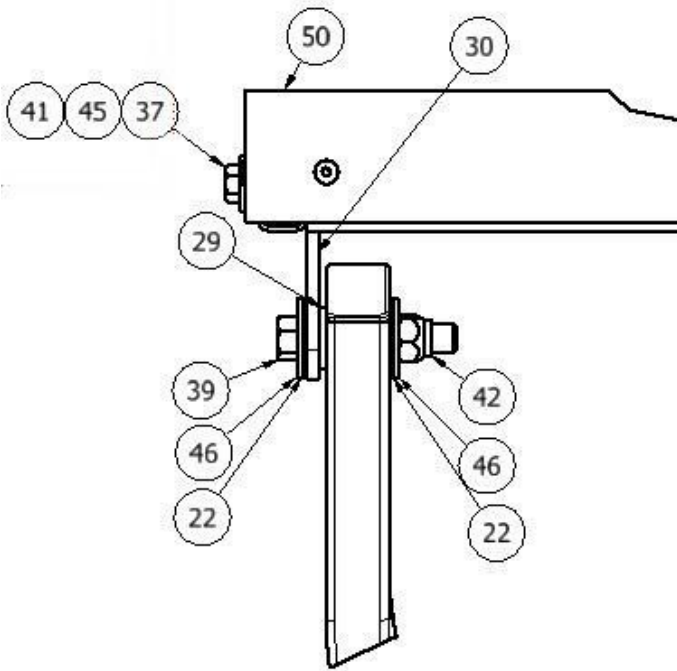
***Helpful hint;** Working out of the bed of a truck may be easier than using ladders. The backboard is very heavy.



3. Continue holding board in a vertical position and install the 1/2 x 8" Bolt, #48, Flat Washer and Lock Nut as shown.



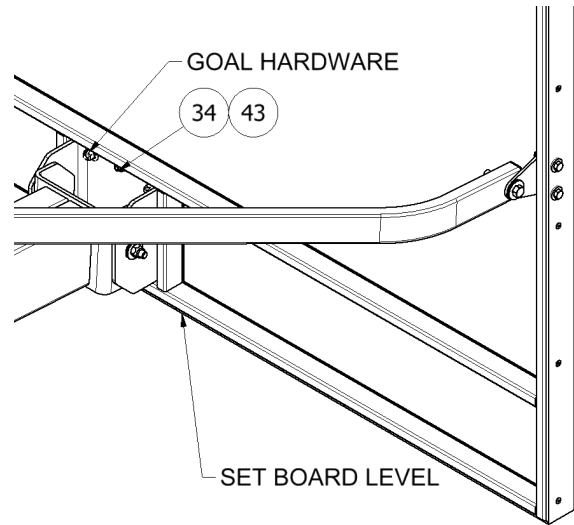
4. While continuing to hold the Backboard in a vertical position, swing the upper arms up to meet the Upper Board Attaching Brackets, #30, and attach using 7/16" x 2 1/2" Bolts, #39, and hardware as indicated.



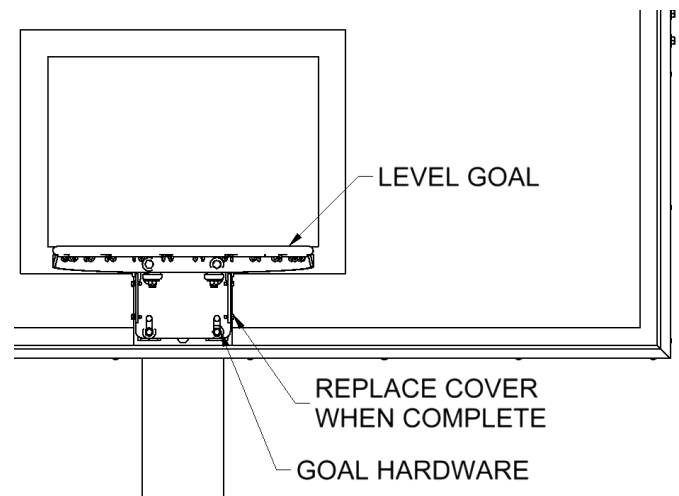
5. Snug all 7/16" Bolts to remove clearance. **Do not torque.**
6. Snug 1/2" Bolt, #49 to remove clearance. **Do not torque.**

Level Goal

1. Check the level of the bottom of the board. If adjustments need to be made, loosen 3/8-16 Whiz Lock Nut, #34, and the 3/8" goal hardware. Level board and retighten Whiz Lock Nuts.



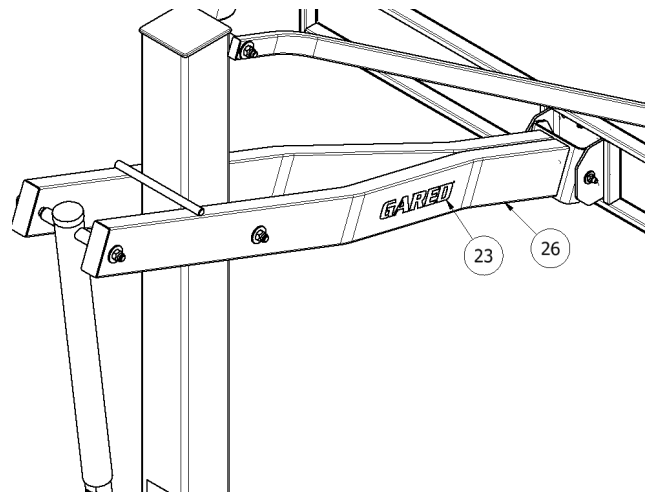
2. Check the level of the Goal from side to side. If adjustments need to be made, loosen the (4) 3/8" goal nuts. Level Goal and retighten.



3. Be sure that all Board and Goal hardware is tight. Install Goal Cover plate.

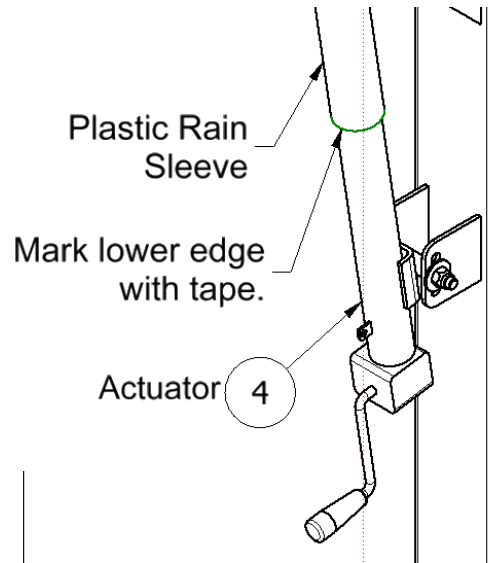
Apply Gared Decal

1. Apply Gared Decal, #23, to each side of Lifting Arm as shown.

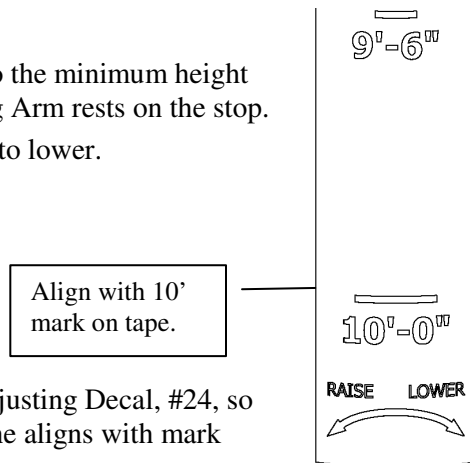


Install Height Adjusting Decal

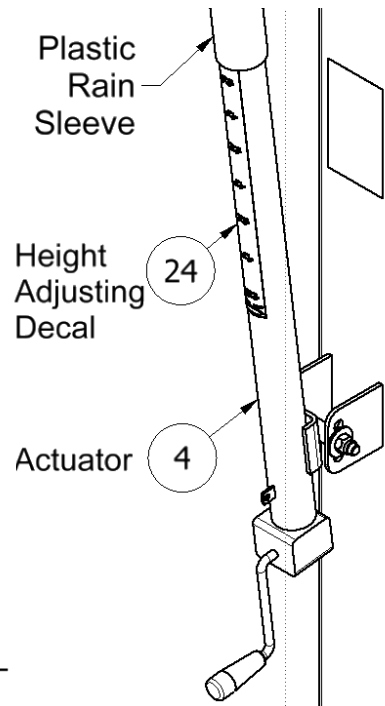
1. Crank Goal to the 10'-0" position. Crank counter-clockwise to raise goal. Measure from the playing surface to the top of the goal ring. Using a piece of tape, mark the location of the lower edge of the rain shield.



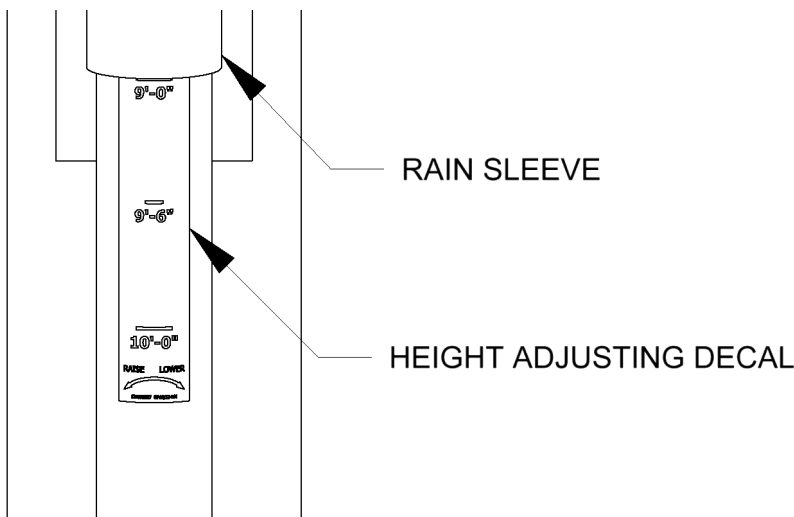
2. Crank the Goal to the minimum height so that the Lifting Arm rests on the stop. Crank clockwise to lower.



3. Apply Height Adjusting Decal, #24, so that the 10'-0" line aligns with mark from step #1.

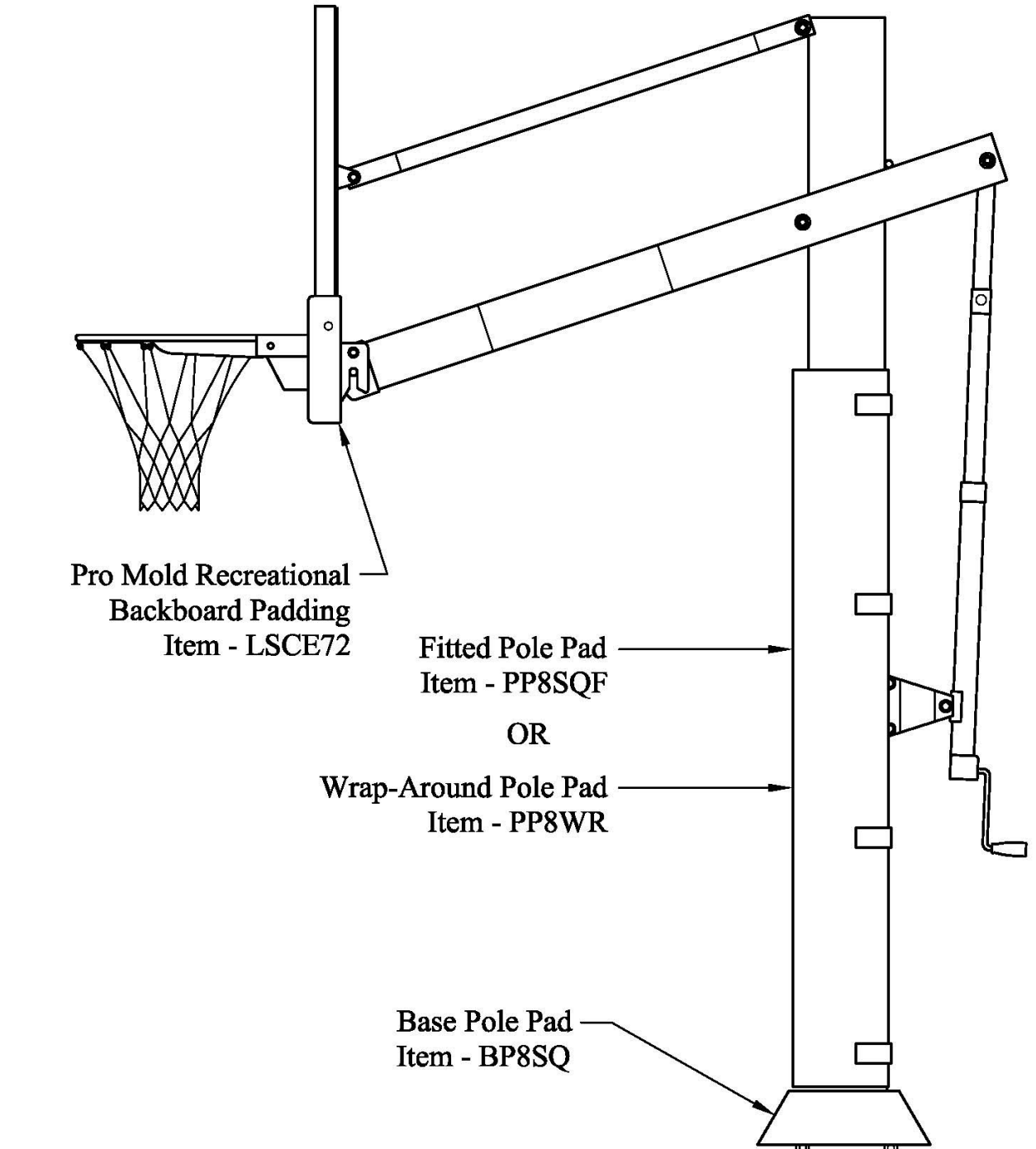


4. Adjust Goal to the desired playing height by cranking up or down until the desired height mark aligns with the lower edge of the Rain Sleeve.

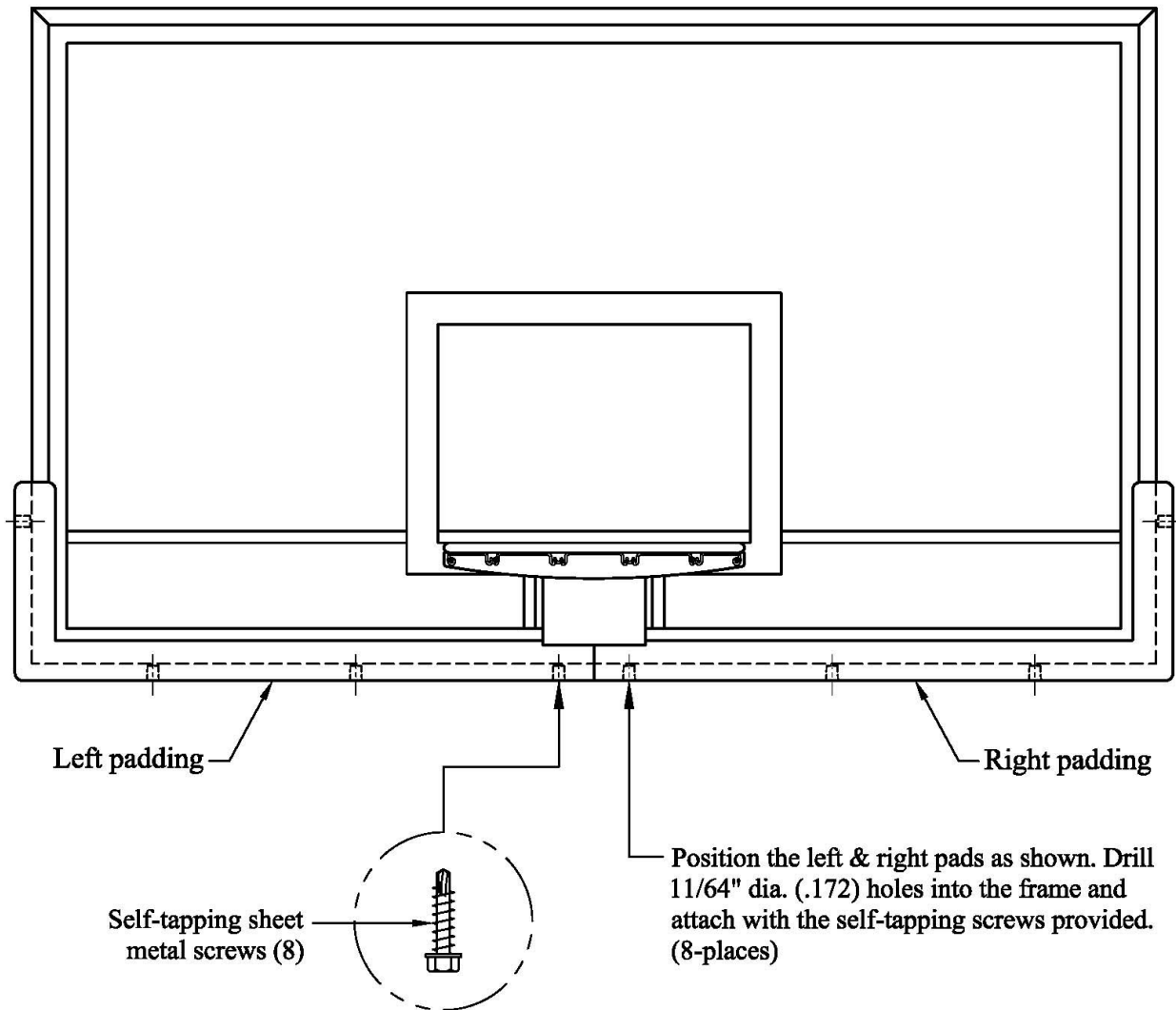


Installing Optional Padding

Note: The padding options shown below are purchased separately.



The following illustration shows how to attach the optional LSCE72 Pro Mold Recreational Backboard Padding (if purchased). The padding may be attached before or after the backboard has been mounted in.





Gared Holdings, LLC

Performance Sports Systems
9200 E. 146th Street
Noblesville, IN 46060

800-848-8034
www.perfsports.com

Gared Sports
707 North 2nd Street
St. Louis, MO 63102

800-325-2682
www.garedsports.com