

CARE AND MAINTENANCE

Store outdoor furniture indoors or cover well when not in use.










Remove wooden furniture from standing water. Dust regularly with small brush or vacuum

Spills should be taken care of immediately before they harden or stain with a slightly dampened sponge.

NOTICE

- * Please make sure that you have all parts indicated before you begin assembly of this item
- * This item should be assembled on a soft surface to prevent scratching the finish during assembly
- * This item may require periodic tightening

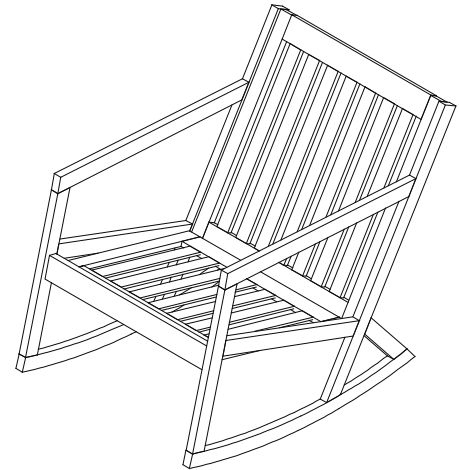
Part List and Hardware List

PIECE	DESCRIPTION	PICTURE	QUANTITY
A	Leg Frame		2X
B	Back frame		1X
C	Seat frame		1X
D	Cross bar		1X
E	Allen bol		8X
H1	Horizontal spread		2X
H2	Screw		4X
H3	Wooden		6X
H4	Allen key		1X

 **SAFAVIEH**
O U T D O O R

Model# PAT7013

Product Dimensions:25,6" W x 37.8" D x 30.7" H



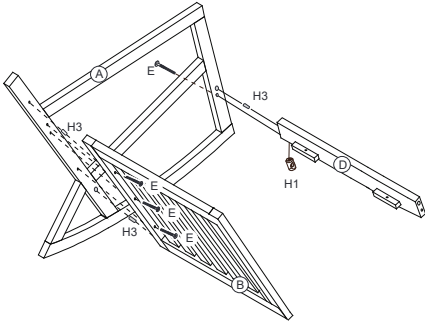
PREPARATION

Before beginning assembly of product, make sure all parts are present. Compare parts with package contents list and hardware contents list. If any part is missing or damaged, do not attempt to assemble the product.

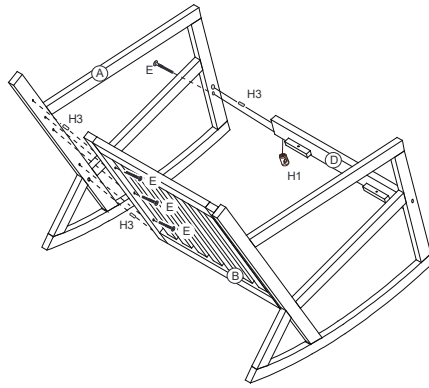
Estimated Assembly Time: 30 minutes.

Tools Required for Assembly (included): Allen Key

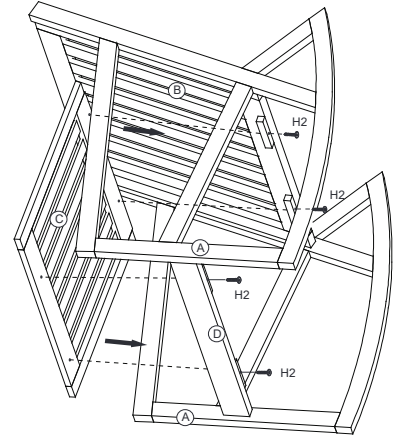
1



2



3



Step 1

Attached (A) to (B),(D) and using (H3) to put on the hole.(E),(H1) tighten by (H4)

Step 2

Attached (A) to (B),(D) and using (H3) to put on the hole.(E),(H1) tighten by (H4)

Step 3

(C) pull down the arrow and using (H2) tighten by (H4)