

# 10' x 12' Pergola

Installation and Operating Instructions – YM11921

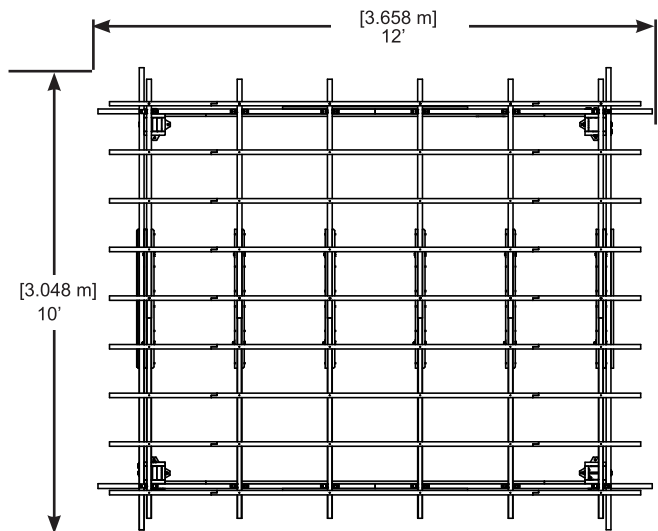


IMPORTANT, RETAIN FOR FUTURE REFERENCE: READ CAREFULLY

07-21-2020

  
**YARDISTRY**<sup>®</sup>

Yardistry – North America  
Toll Free Customer Support:  
1.888.509.4382  
info@yardistrystructures.com  
www.yardistrystructures.com



Height: 7' 11-1/4" (2.419m)

## **Important Safety Notice!**

Yardistry components are intended for privacy, decorative and ornamental use only.

### **Product is NOT INTENDED for the following:**

- A safety barrier to prevent unsupervised access to pools, hot tubs, spas or ponds.
- As load bearing support for a building, structure, heavy objects or swings.
- Used in structures that trap wind, rain or snow that would create extra load on the product.

### **Accumulated snow must be removed from roof.**

**DO NOT** climb or walk on roof for any reason.

**Permanent structures may require a building permit.** As the purchaser and or installer of this product you are advised to consult local planning, zoning and building inspection departments for guidance on applicable building codes and/or zoning requirements.

**Wood is NOT flame retardant and will burn.** Grills, fire pits and chimineas are a fire hazard if placed too close to a Yardistry structure. Consult user's manual of the grill, fire pit or chimenea for safe distances from combustible materials.

**Wear gloves to avoid injury** from possible sharp edges of individual elements before assembly.

**During installation, follow all safety warnings provided with your tools and use OSHA approved safety glasses.** Some structures may require two or more people to install safely.

**Check for underground utilities before digging or driving stakes into the ground!**

**It is important during assembly to closely follow the instructions,** complete the assembly on a solid level surface and that you follow the instruction to square up, level and anchor the structure, this will reduce the gap at wood connections during assembly.

## **General Information**

**General Information:** Wood components are manufactured with Cedar (C. Lanceolata) which is protected with factory applied water-based stain. Knots, small checks (cracks) and weathering are naturally occurring and do not affect the strength of the product. Annual application of a water-based water repellent sealant or stain is important and will help reduce weathering and checks.

[www.yardistrystructures.com](http://www.yardistrystructures.com)

Questions?

Call toll free or write us at:

1 (888) 509-4382

[info@yardistrystructures.com](mailto:info@yardistrystructures.com)

Patents Pending

# Limited Warranty

Yardistry warrants that this product is free from defect in materials and workmanship for a period of one (1) year from the original date of purchase. In addition, for any product with lumber, all lumber is warranted for five (5) years against rot and decay. This warranty applies to the original owner and registrant and is non-transferable.

Regular maintenance is required to assure the integrity of your product and is a requirement of the warranty. This warranty does not cover any inspection costs.

**This Limited Warranty does not cover:**

- Labour for replacement of any defective item(s);
- Incidental or consequential damages;
- Cosmetic defects which do not affect performance or integrity;
- Vandalism; improper use or installation; acts of nature, including but not limited to wind, storms, hail, floods, excessive water exposure;
- Minor twisting, warping, checking or any other natural occurring properties of wood that do not affect performance or integrity.

Yardistry products have been designed for safety and quality. Any modifications made to the original product could damage the structural integrity of the product leading to failure and possible injury. Yardistry cannot assume any responsibility for modified products. Furthermore, modification voids any and all warranties.

**This product is warranted for RESIDENTIAL USE ONLY. Yardistry disclaims all other representations and warranties of any kind, express or implied.**

*This Warranty gives you specific legal rights. You may have other rights as well which vary from state to state or province to province. This warranty excludes all consequential damages, however, some states/provinces do not allow the limitation or exclusion of consequential damages, and therefore this limitation may not apply to you.*

# Instructions for Proper Maintenance

Your Yardistry structure is designed and constructed of quality materials. As with all outdoor products it will weather and wear. To maximize the enjoyment, safety and life of your structure it is important that you, the owner, properly maintain it.

## HARDWARE:

- Check metal parts for rust. If found, sand and repaint using a non-lead paint complying with 16 CFR 1303.
- Inspect and tighten all hardware after completion of assembly; after first month of use; and then annually. Do not over-tighten as to cause crushing and splintering of wood.
- Check for sharp edges or protruding screw threads, add washers if required.

## WOOD PARTS:

- Applying a water repellent or stain (water-based) on a yearly basis is important maintenance to maintain maximum life and performance of the product.
- Check all wood members for deterioration, structural damage and splintering. Sand down splinters and replace deteriorated wood members. As with all wood, some checking and small cracks in grain is normal
- Some gapping may occur at some wood connections.

## Assembly Guides

### Tools Required:

- Tape Measure
- Carpenters Level
- Standard or Cordless Drill
- 7/16", 1/2" & 9/16" Wrench
- 7/16", 1/2" & 9/16" Socket
- Ratchet
- Safety Glasses
- Adult Helper
- Safety Gloves
- Hard Hat
- 6' Step Ladder x 2
- Square

### Symbols:

Throughout these instructions symbols are provided in the top, right-hand corner of the page.



- Use Help, where this is shown, 2, 3 or 4 people are required to safely complete this step. To avoid injury or damage to the assembly make sure to get some help.



- Use a measuring tape to assure proper location



- Pre-drill a pilot hole before fastening screw or lag to prevent splitting of wood.



- Check that assembly is square before tightening bolts

**If you dispose of your Yardistry structure:** Please disassemble and dispose of your unit so that it does not create any unreasonable hazards at the time it is discarded. Be sure to follow your local waste ordinances.



## Assembly Tips

Following are some helpful tips to make the assembly process smooth and efficient.

### PRE-ASSEMBLIES:

(i.e. Post and Beam Assemblies, Roof Rafter Assembly, etc)

- Work on a raised, solid and flat surface such as, a table or saw horse.
- Keep all connections flush where shown in the instructions.
- When assembling the beams keep parts flat, straight and snug when connecting.

# Permanent Installation Examples

**Note: It is critically important you start with square, solid and level footings, concrete pad or deck to attach your Pavilion.**

We supply Post Mounts with this structure which gives you the flexibility to permanently install your structure to a pre-existing or new wood or concrete surface.

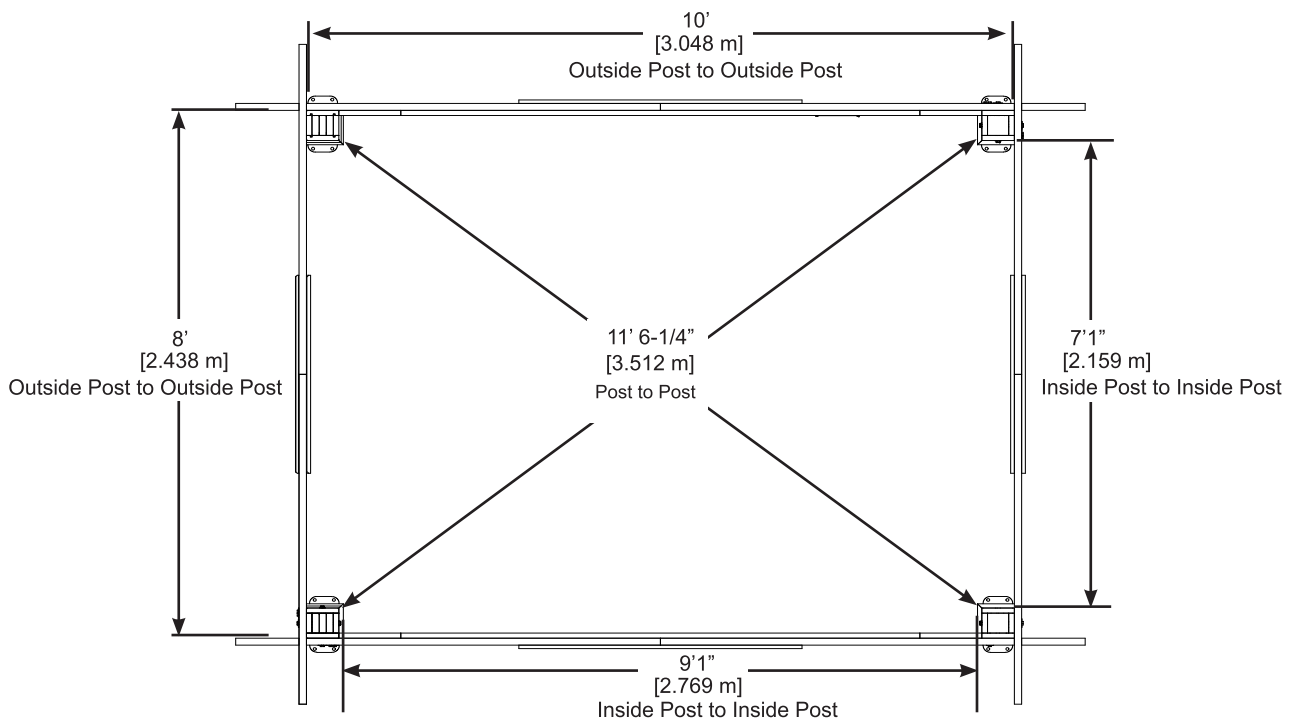
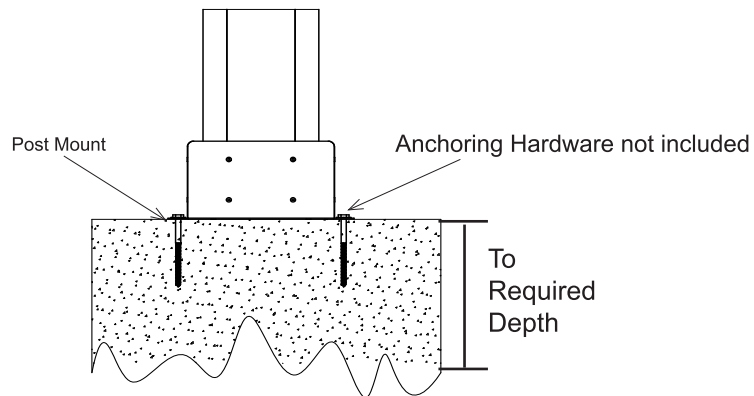
- The hardware to attach the Post Mount to the structure is included.
- The hardware to mount the structure permanently will need to be purchased separately at your local hardware store.

If you are mounting to concrete footers see below for the correct locations and placement. Please double check for possibility of any underground utilities such as gas, telephone, cable or sprinkler lines.

Following are some examples of how to mount the structure to wood or concrete surfaces.

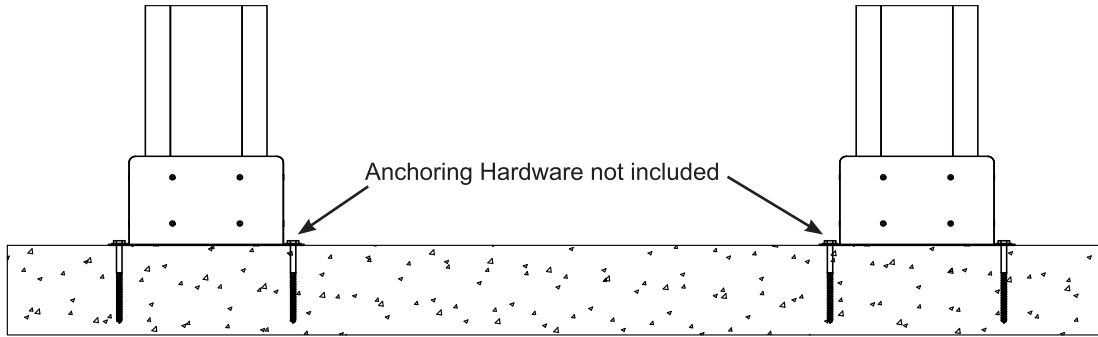
Refer to your local building and city codes, ordinances, neighbourhood covenants, or height restrictions regarding this type of structure for guidance on acceptable installation requirements.

## Concrete Footer

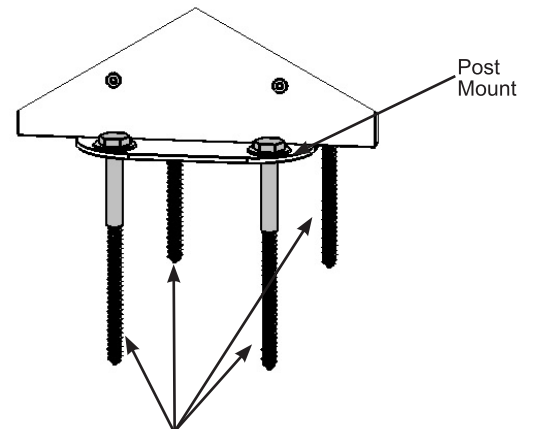
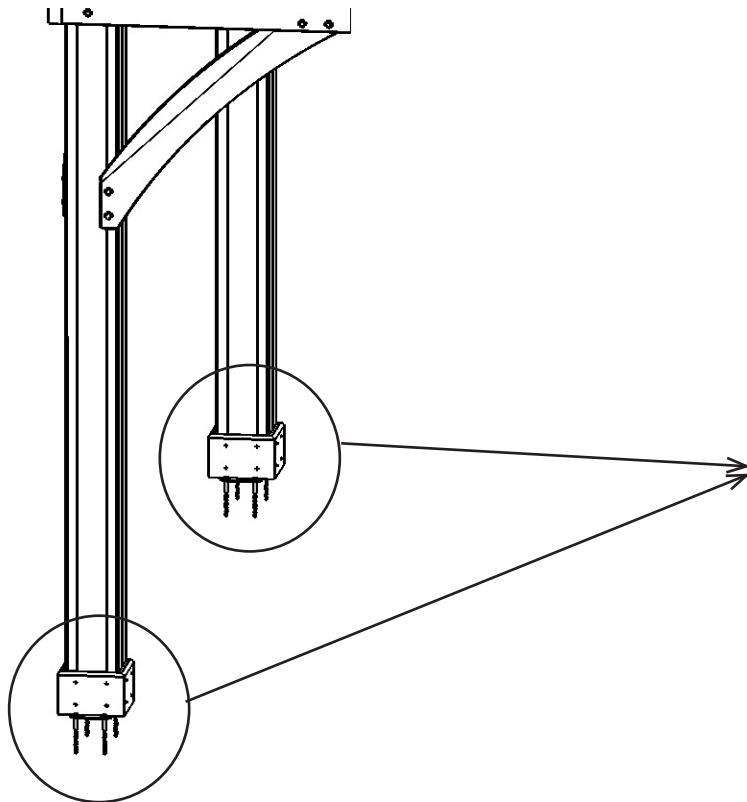
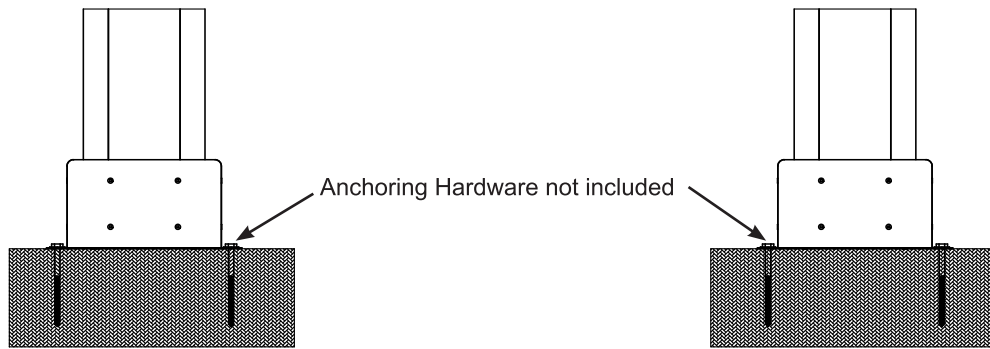


## Permanent Installation Examples cont.

Concrete Patio [min. 9' x 11' (2.743 m x 3.353 m)] with 6" (15.24 cm) clearance on all sides



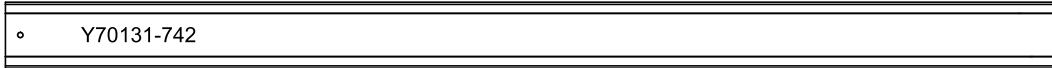
Wood Deck [min. 9' x 11' (2.743 m x 3.353 m)] with 6" (15.24 cm) clearance on all sides



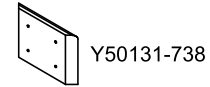
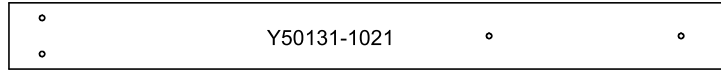
*Post Mounts have a 1/2" (1.27 cm) diameter hole for anchoring hardware.*

# Part Identification ( Dimensions are approximate and are shown to assist in the identification of parts for assembly. Actual dimensions may be smaller or larger. )

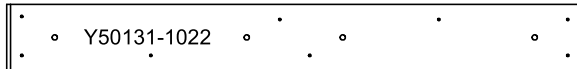
**4pc. (742) - Block Post 88" (2235.2mm)**



**4pc. (1021) - F/B Beam 60" (1524mm)**

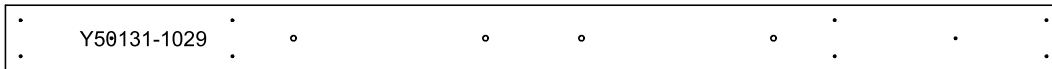


**2pc. (1022) - Long Splice 48" (1219.2mm)**

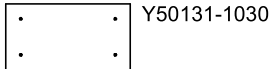


**16pc. (738) - Plinth 7" (177.8mm)**

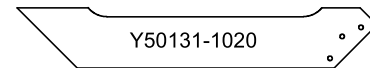
**2pc. (1029) - Beam Support 88" (2235.2mm)**



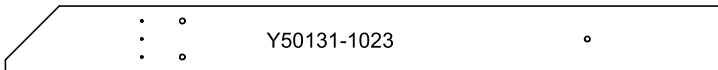
**4pc. (1030) - Beam End Support 10-3/8" (263.5mm)**



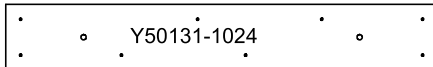
**8pc. (1020) - Gusset 30" (762mm)**



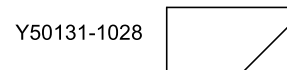
**4pc. (1023) - Side Beam 60" (1524mm)**



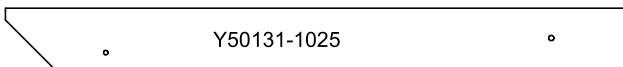
**4pc. (1024) - Short Splice 36" (914.4mm)**



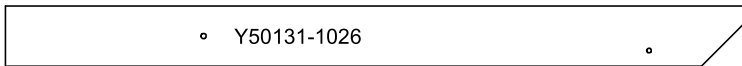
**4pc. (1028) - Beam Ends 10-3/4" (273mm)**



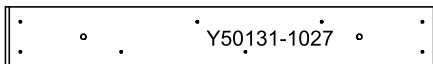
**6pc. (1025) - Trellis Beam A 52" (1320.8mm)**



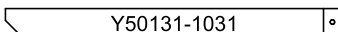
**6pc. (1026) - Trellis Beam B 62" (1574.8mm)**



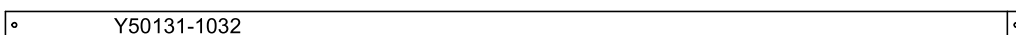
**12pc. (1027) - Trellis Splice 36" (914.4mm)**



**18pc. (1031) - Short Trellis 28" (711.2mm)**

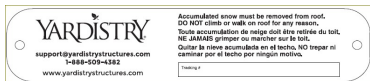


**9pc. (1032) - Long Trellis 85" (2159mm)**

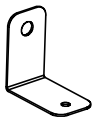


# Hardware Identification ( Dimensions are approximate and are shown to assist in the identification of parts for assembly. Actual dimensions may be smaller or larger. )

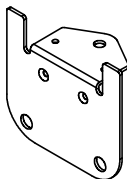
1pc. Gazebo ID Plaque (Y70800-104)



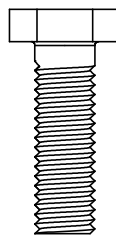
1pc. - 1/8" Drill Bit (Y00400-002)



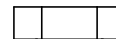
1pc. Trellis Bracket Set (24 pk) (Y70829-289)



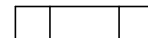
1pc. Post Mount Set (8 pk) (Y70819-109)



8pc. Hex Bolt 5/16 x 1" (Y07718-310)



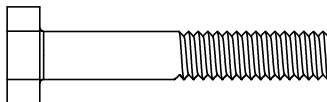
8pc. Hex Bolt 5/16 x 3" (Y07718-330)



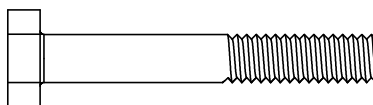
8pc. Hex Bolt 3/8 x 7-1/4" (Y07718-871)



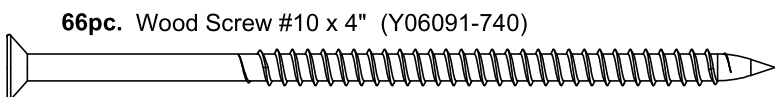
16pc. Wood Screw #7 x 3/4" (Y06091-003)



18 pc. Hex Bolt 1/4 x 1-1/2" (Y07718-212)



12 pc. Hex Bolt 1/4 x 1-3/4" (Y07718-213)



66pc. Wood Screw #10 x 4" (Y06091-740)



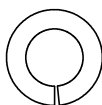
30pc. - 1/4" Lock Nut (Y08318-203)



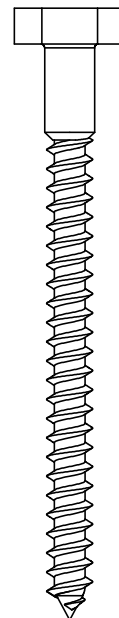
224pc. Wood Screw #8 x 1-1/2" (Y06091-512)



36pc. Wood Screw #8 x 1 3/4" (Y06091-513)



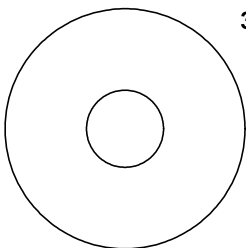
32pc. 5/16" Lock Washer (Y05318-300)



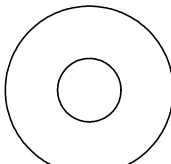
40pc. Lag Screw (1/4" Shank) 5/16 x 3" (Y06218-330)



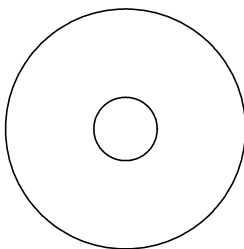
16 pc. Hex Bolt 5/16 x 2-1/2" (Y07718-322)



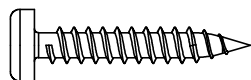
16pc. 3/8 x 1-1/4" Large Washer (Y05118-811)



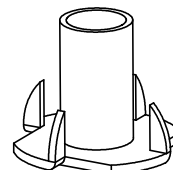
8pc. 5/16" Flat Washer (Y05118-203)



100pc. 1/4-5/16 x 1-1/4" Large Washer (Y05118-311)



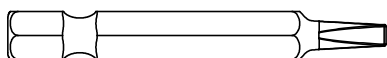
26pc. Pan Screw #10 x 1-1/4" (Y06491-711)



32pc. 5/16 - T-Nut (Y08518-300)

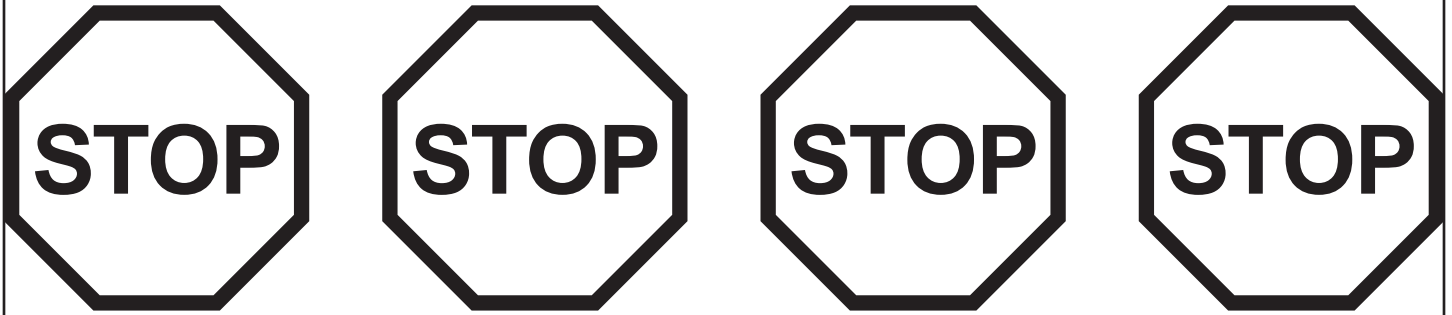


8pc. - 3/8" Lock Nut (Y08318-803)



1pc. #2 x 2" Robertson Driver (Y00400-005)

# Step 1: Inventory Parts - Read This Before Starting Assembly



- A.** This is the time for you to inventory all your hardware, wood and accessories, referencing the parts identification sheets. This will assist you with your assembly.
- Each step indicates which bolts and/or screws you will need for assembly, as well as any flat washers, lock washers, t-nuts or lock nuts.
- B.** If there are any missing or damaged pieces or you need assistance with assembly please contact the consumer relations department directly. Call us before going back to the store.

**1-888-509-4382**

**support@yardistrystructures.com**

- C.** Read the assembly manual completely, paying special attention to ANSI warnings; notes; and safety/maintenance information on pages 1 - 4.
- Follow the instructions in order.
  - This structure is designed to be assembled and installed ideally by four people, DO NOT attempt to install alone.
  - Consider the slope of elevation where you plan to install the structure. Also, check for gas, telephone, other utilities or sprinkler line locations prior to excavating any holes.
- D.** Before you discard your cartons fill out the form below.
- The carton I.D. stamp is located on the end of each carton.
  - Please retain this information for future reference. You will need this information if you contact the Consumer Relations Department.

**PRODUCT NUMBER: YM11921**

CARTON I.D. STAMP: \_ \_ \_ \_ \_ (Box 1)

CARTON I.D. STAMP: \_ \_ \_ \_ \_ (Box 2)

CARTON I.D. STAMP: \_ \_ \_ \_ \_ (Box 3)



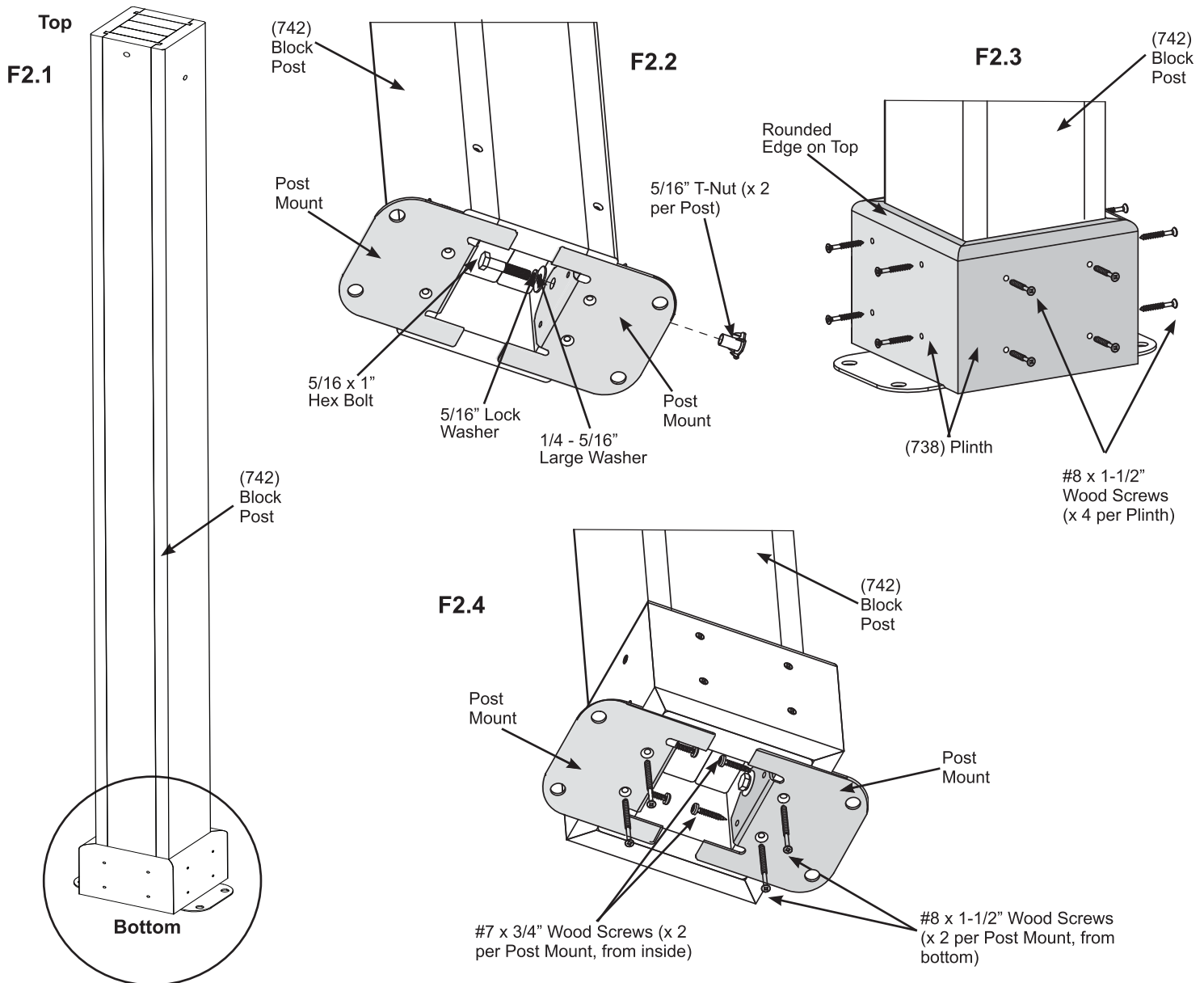
## Step 2: Post Assemblies

**A:** At the bottom of each (742) Block Post insert two 5/16" T-Nuts as shown in F2.1 and F2.2.

**B:** At the bottom of each (742) Block Post place two Post Mounts tight to the bottom and inside faces as shown in F2.1 and F2.2. Loosely attach with one 5/16 x 1" Hex Bolt (with 5/16" lock washer and 1/4-5/16" large washer) per mount so they connect to the T-Nuts.

**C:** On each side of the Posts, place one (738) Plinth flush to the bottom and attach with four #8 x 1-1/2" Wood Screws per plinth. Rounded edges on top. (F2.1 and F2.3)

**D:** From the bottom of each Post Mount attach to posts with two #8 x 1-1/2" Wood Screws per mount and then from the inside with two #7 x 3/4" Wood Screws per mount. These screws are installed at a slight angle. Tighten all bolts. There will be four Post Assemblies. (F2.4)



### Wood Parts

4 x (742) Block Post  
16 x (738) Plinth

### Hardware

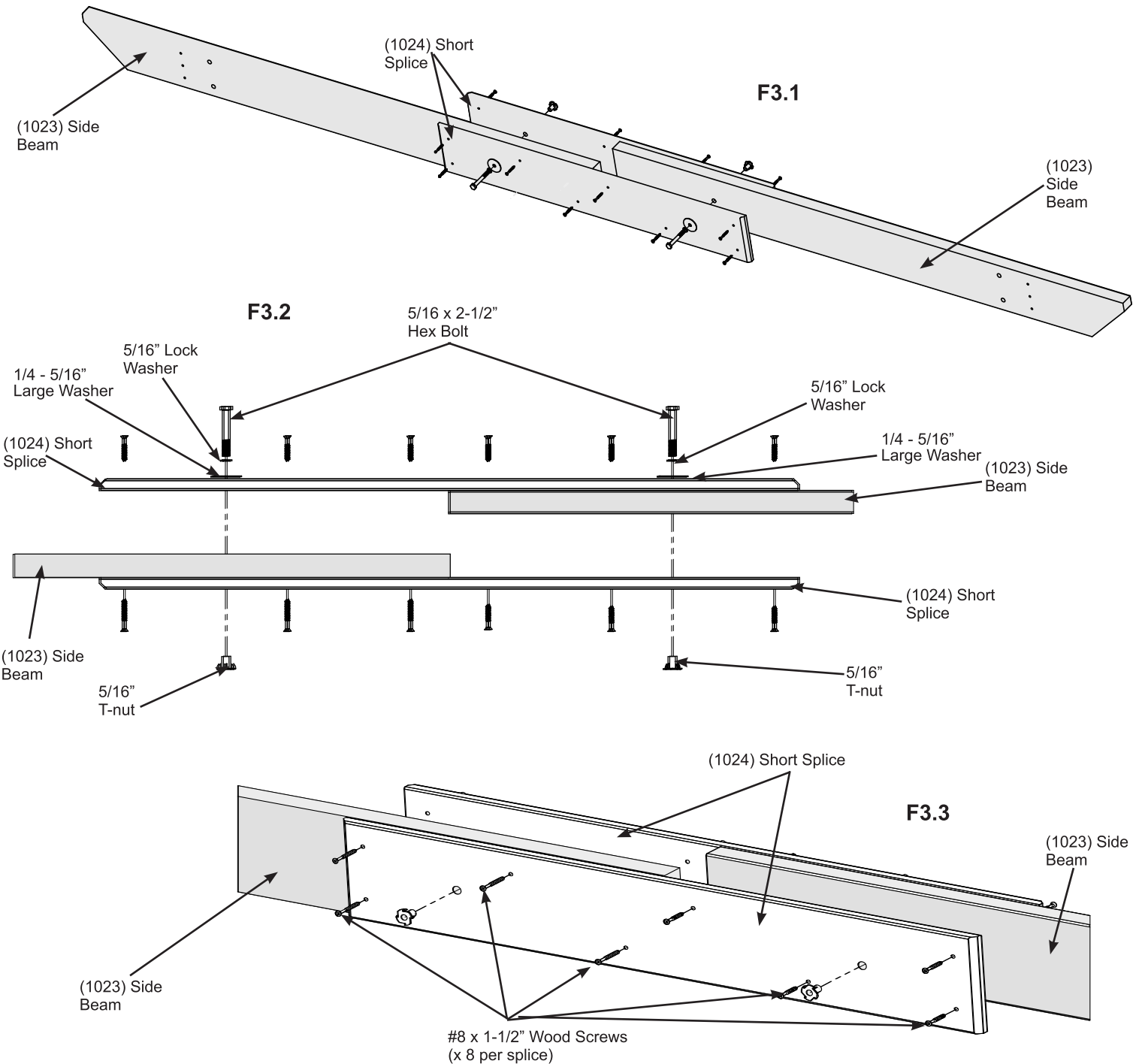
16 x #7 x 3/4" Wood Screw  
80 x #8 x 1-1/2" Wood Screw  
8 x Post Mount

8 x 5/16" T-Nut  
8 x 5/16 x 1" Hex Bolt  
(with 5/16" lock washer, 1/4-5/16" large washer)

# Step 3: Short Beam Assembly Part 1

**A:** Place two (1023) Side Beams tight together then place one (1024) Short Splice on each side, lining up the bolt holes. Attach with two 5/16 x 2-1/2" Hex Bolts (with 5/16" lock washer, 1/4-5/16" large washer and 5/16" t-nut). (F3.1, F3.2 and F3.3)

**B:** Attach each (1024) Short Splice to (1023) Side Beams with eight #8 x 1-1/2" Wood Screws per splice. (F3.1, F3.2 and F3.3)



## Wood Parts

- 4 x (1023) Side Beam
- 4 x (1024) Short Splice

## Hardware

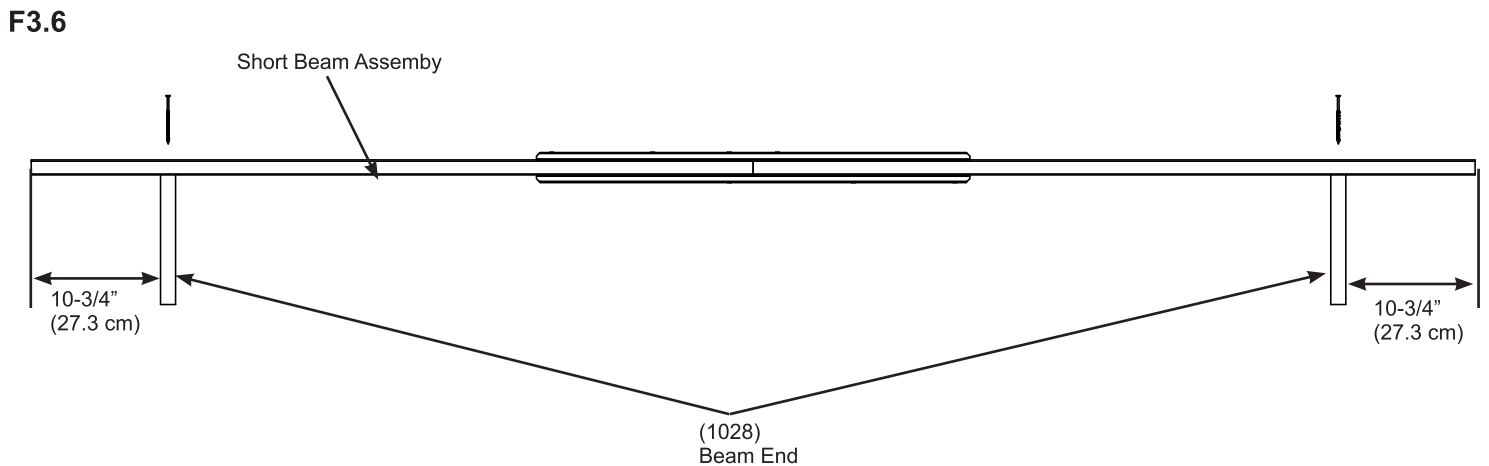
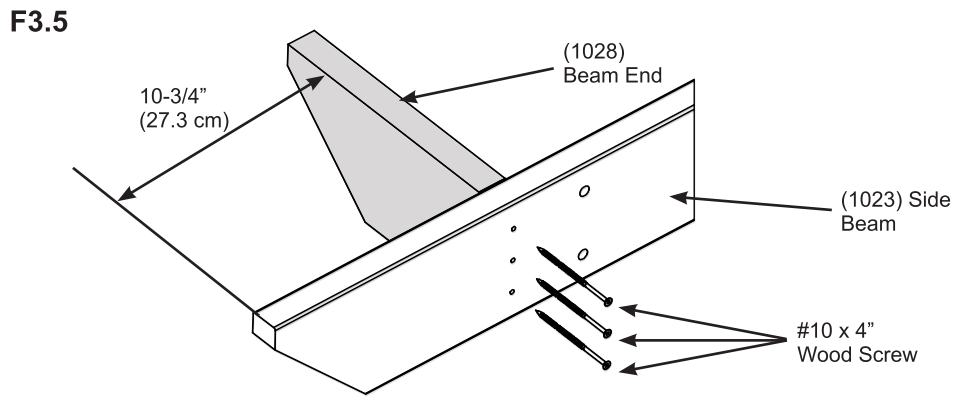
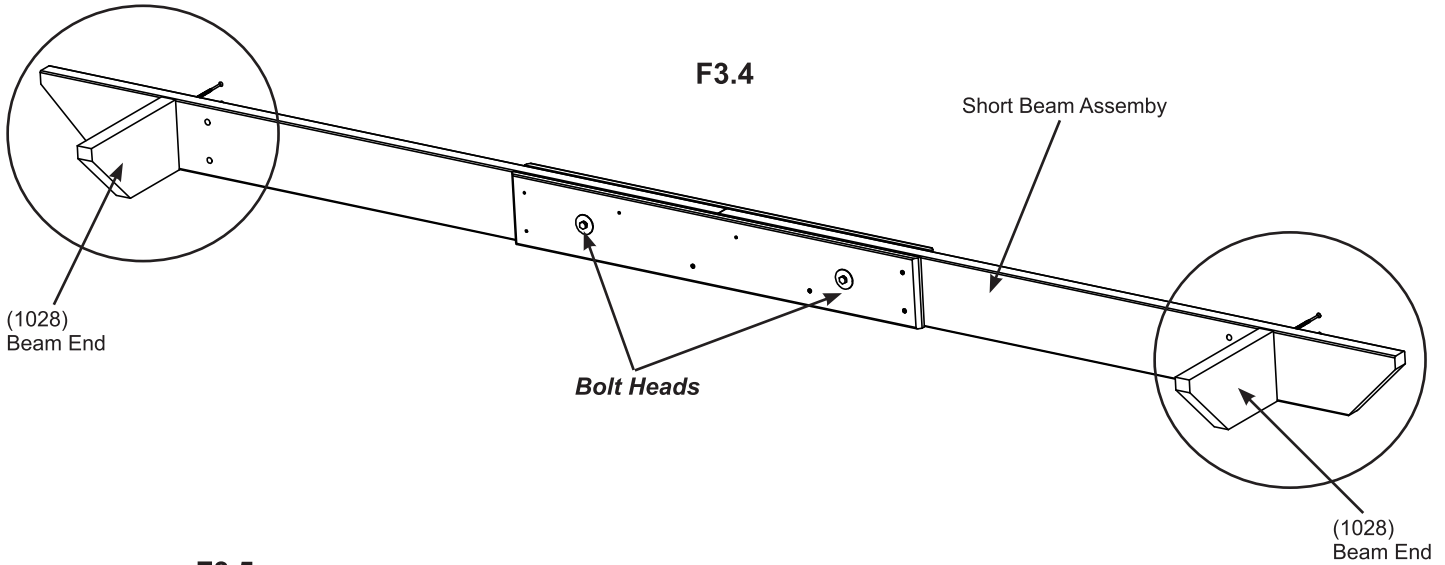
- 4 x 5/16 x 2-1/2" Hex Bolt  
(5/16" lock washer, 1/4-5/16" large washer, 5/16" t-nut)
- 32 x #8 x 1-1/2" Wood Screw

# Step 3: Short Beam Assembly Part 2



**C:** At each end of the Short Beam Assembly measure 10-3/4" (27.3 cm) from the long edge of (1023) Side Beam and place one (1028) Beam End on the side with the bolt heads. Attach with three #10 x 4" Wood Screws per end. (F3.4 F3.5 and F3.6)

**D:** Repeat Steps A - C to make a second Short Beam Assembly.



### Wood Parts

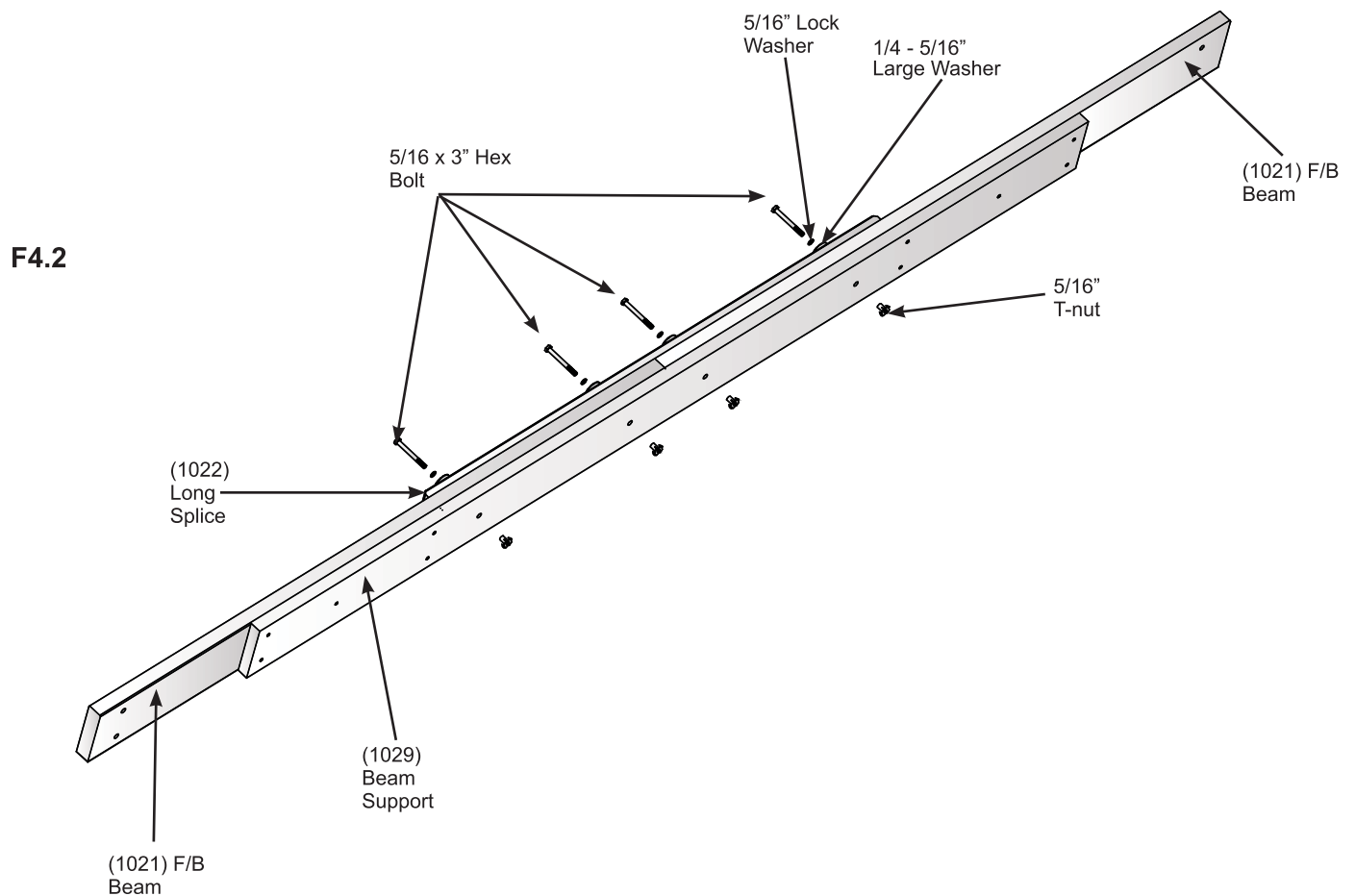
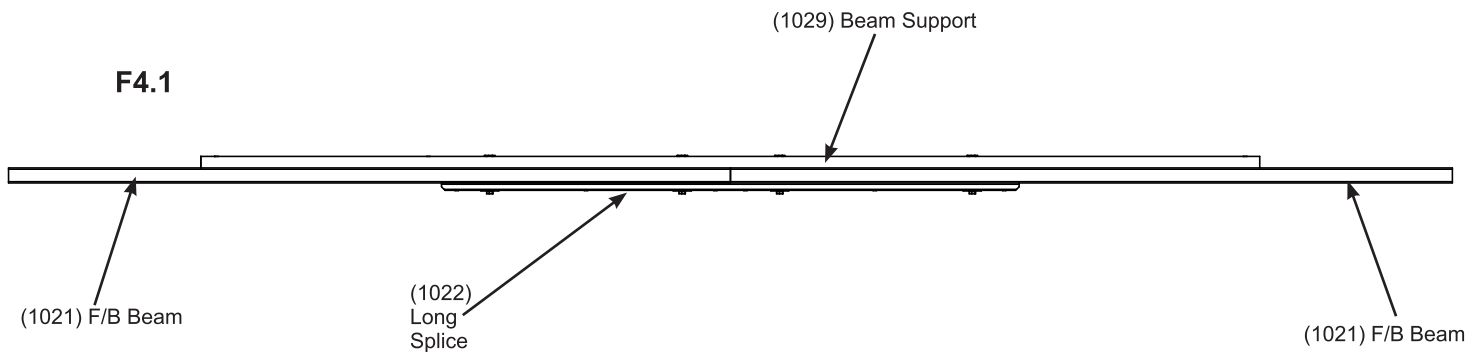
4 x (1028) Beam End

### Hardware

12 x #10 x 4" Wood Screw

# Step 4: Long Beam Assembly Part 1

**A:** Place two (1021) F/B Beams tight together then place one (1022) Long Splice on one side and one (1029) Beam Support on the other side, lining up the bolt holes as shown in F4.1 and F4.2. From the (1022) Long Splice side attach with four 5/16 x 3" Hex Bolts (with 5/16" lock washer, 1/4-5/16" large washer and 5/16" t-nut). (F4.1 and F4.2)



## Wood Parts

- 4 x (1021) F/B Beam
- 2 x (1022) Long Splice
- 2 x (1029) Beam Support

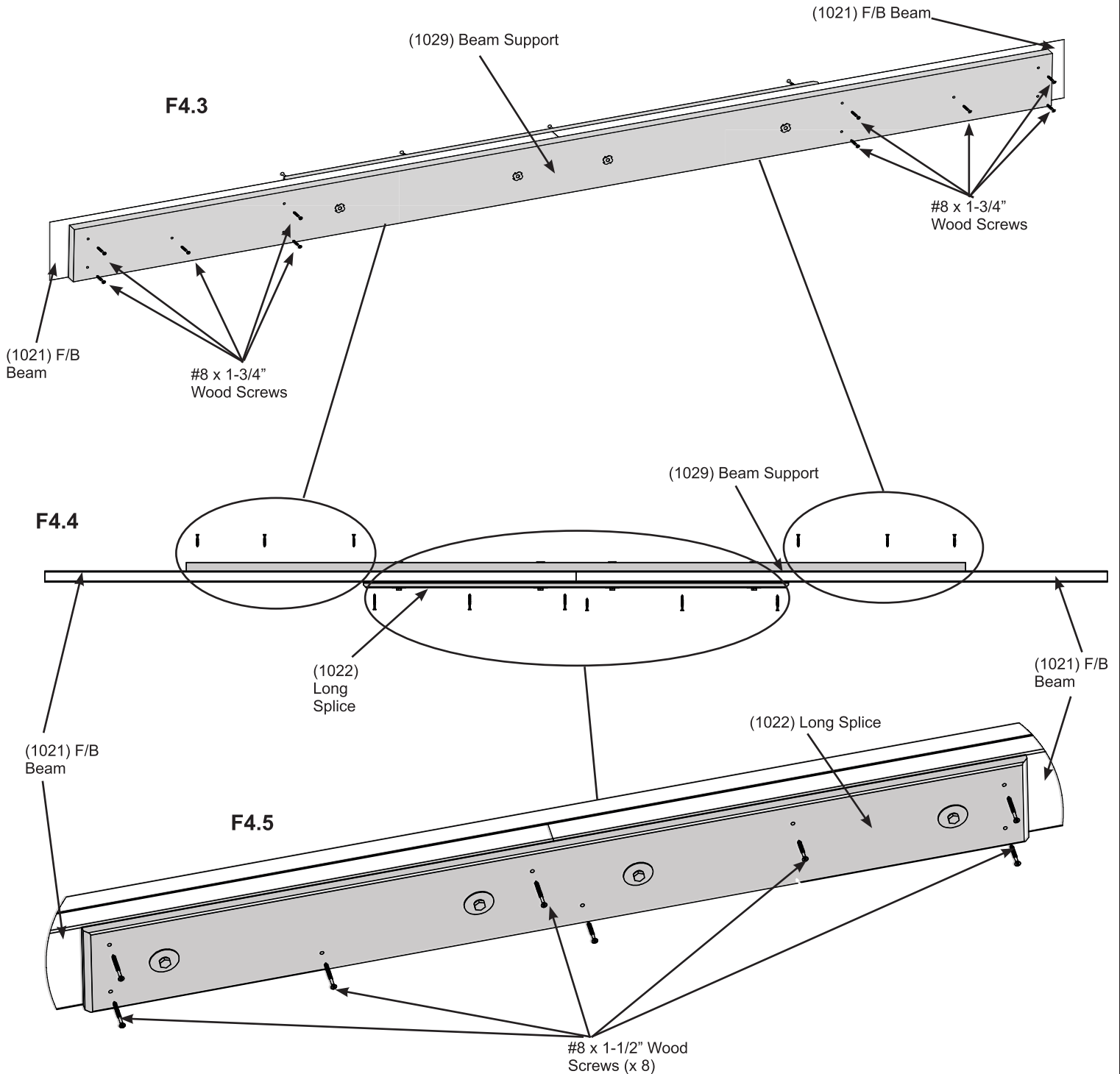
## Hardware

- 8 x 5/16 x 3" Hex Bolt
- (5/16" lock washer, 1/4-5/16" large washer, 5/16" t-nut)

# Step 4: Long Beam Assembly Part 2

**B:** Attach (1029) Beam Support to each (1021) F/B Beam with five #8 x 1-3/4" Wood Screws per end. (F4.3 and F4.4)

**C:** Attach (1022) Long Splice to each (1021) F/B Beam with eight #8 x 1-1/2" Wood Screws. (F4.4 and F4.5)



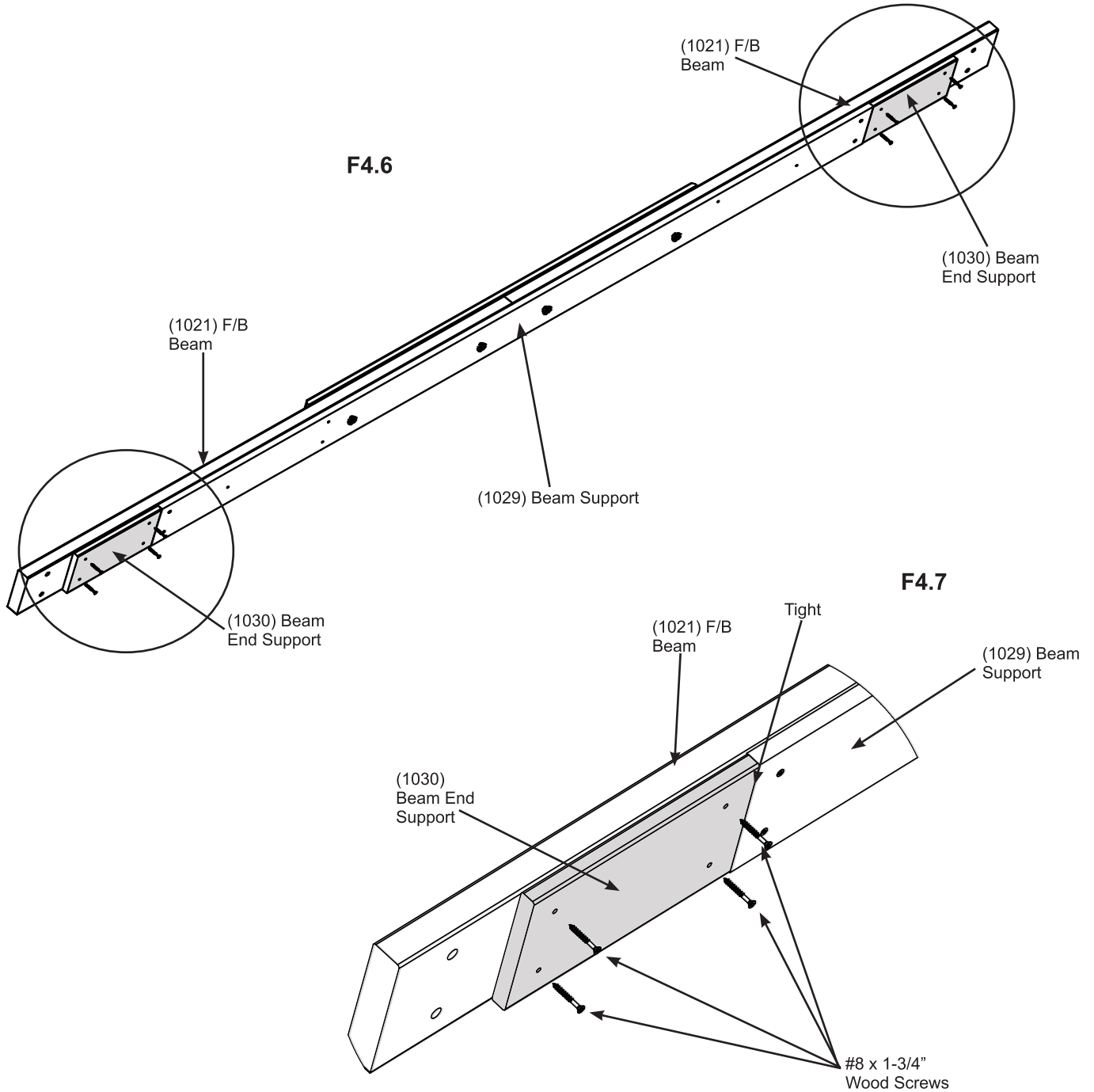
### Hardware

- 16 x #8 x 1-1/2" Wood Screw
- 20 x #8 x 1-3/4" Wood Screw

# Step 4: Long Beam Assembly Part 3

**D:** Tight to each end of (1029) Beam Support attach one (1030) Beam End Support to (1021) F/B Beams with four #8 x 1-3/4" Wood Screws per end. (F4.6 and F4.7)

**E:** Repeat Steps A - D for a second Long Beam Assembly.



### Wood Parts

4 x (1030) Beam End Support

### Hardware

16 x #8 x 1-3/4" Wood Screw

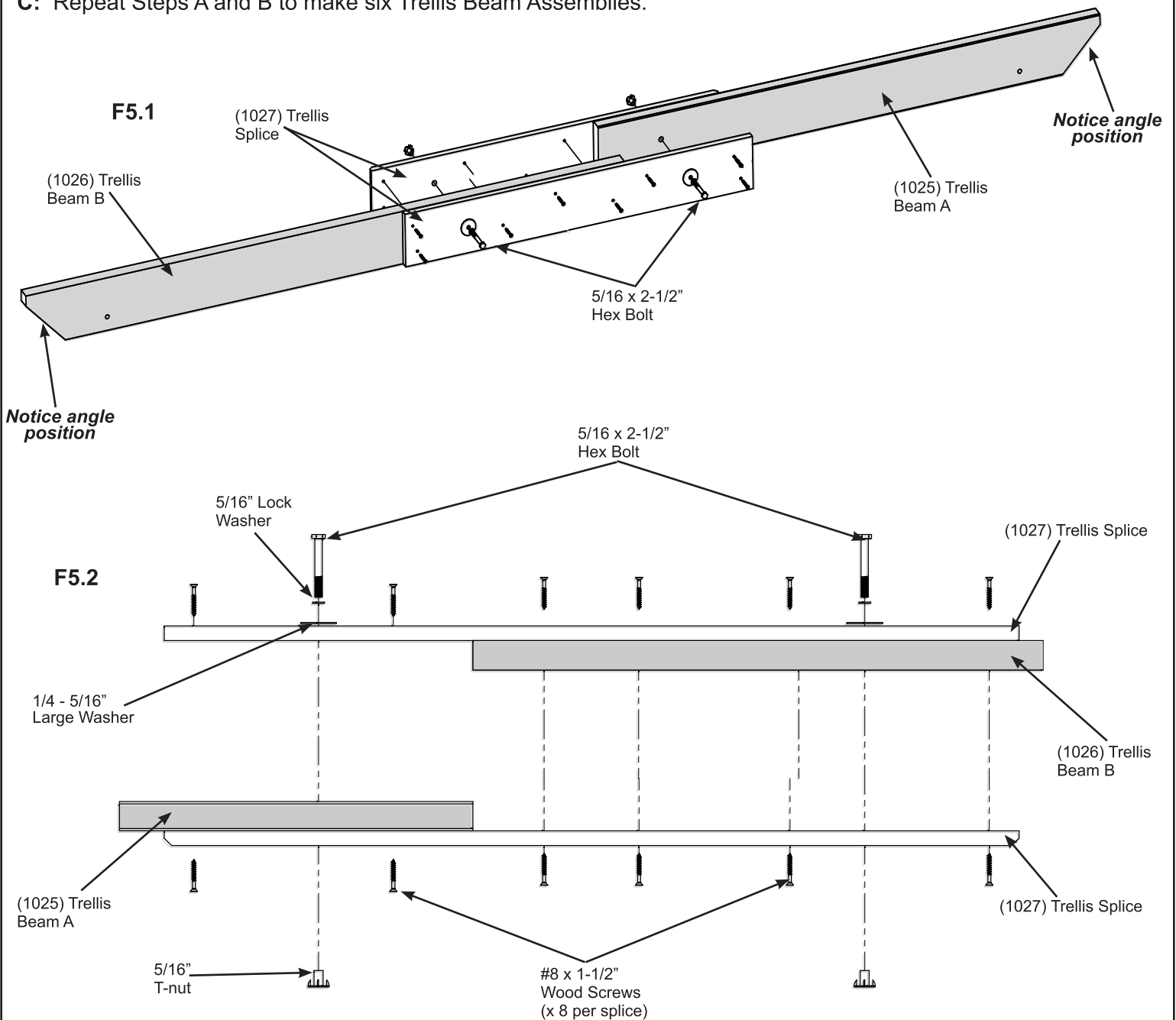


# Step 5: Trellis Beam Assembly Part 1

**A:** Place one (1025) Trellis Beam A tight to one (1026) Trellis Beam B, making sure the end angles are positioned in the same direction, as shown in F5.1. Place one (1027) Trellis Splice on each side of the beams, lining up the bolt holes then attach with two 5/16 x 2-1/2" Hex Bolts (with 5/16" lock washer, 1/4-5/16" large washer and 5/16" t-nut). (F5.1 and F5.2)

**B:** Attach each (1027) Trellis Splice to (1025) Trellis Beam A and (1026) Trellis Beam B with eight #8 x 1-1/2" Wood Screws per splice. (F5.1 and F5.2)

**C:** Repeat Steps A and B to make six Trellis Beam Assemblies.



## Wood Parts

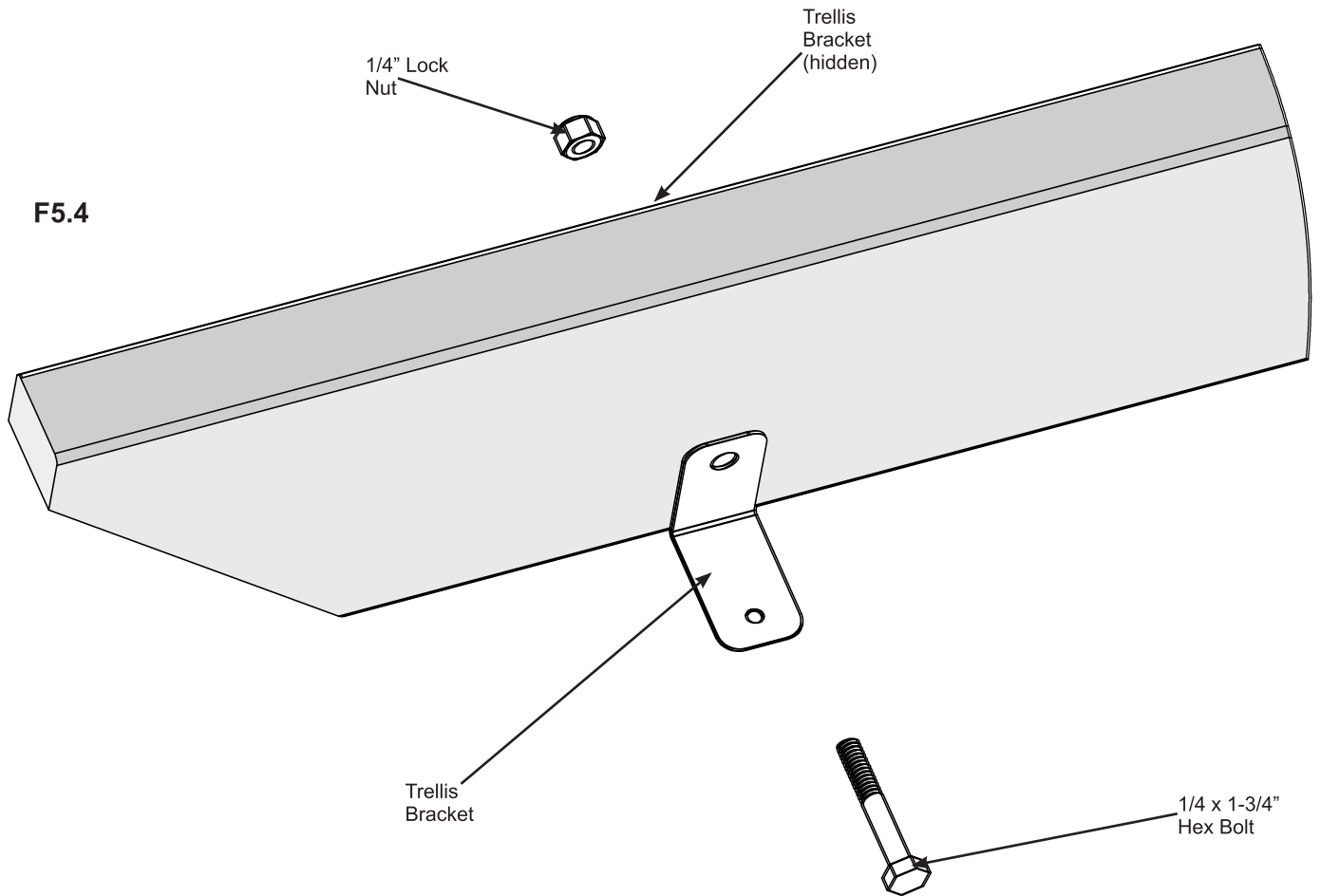
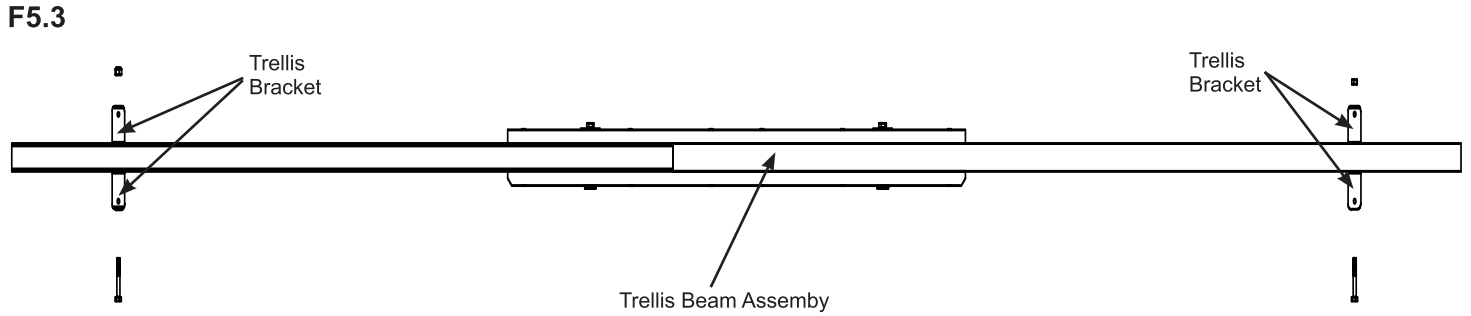
6 x (1025) Trellis Beam A  
6 x (1026) Trellis Beam B  
12 x (1027) Trellis Splice

## Hardware

12 x 5/16 x 2-1/2" Hex Bolt  
(5/16" lock washer, 1/4-5/16" large washer, 5/16" t-nut)  
96 x #8 x 1-1/2" Wood Screw

# Step 5: Trellis Beam Assembly Part 2

D: At both ends of each Trellis Beam Assembly attach two Trellis Brackets with one 1/4 x 1-3/4" Hex Bolt (with 1/4" lock nut) per set of brackets. (F5.3 and F5.4)



### Components

24 x Trellis Bracket

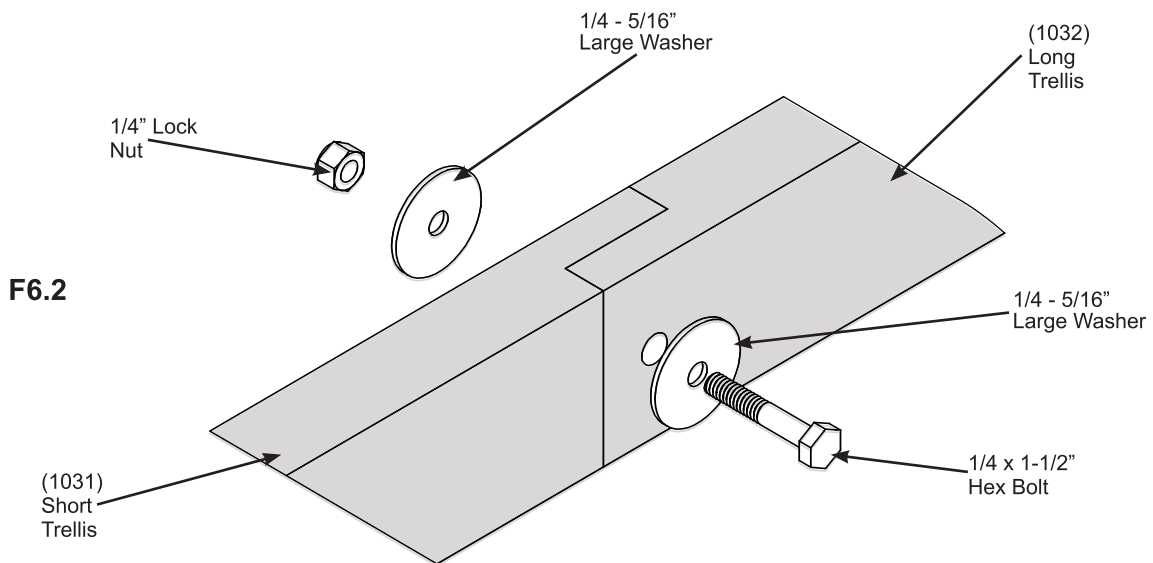
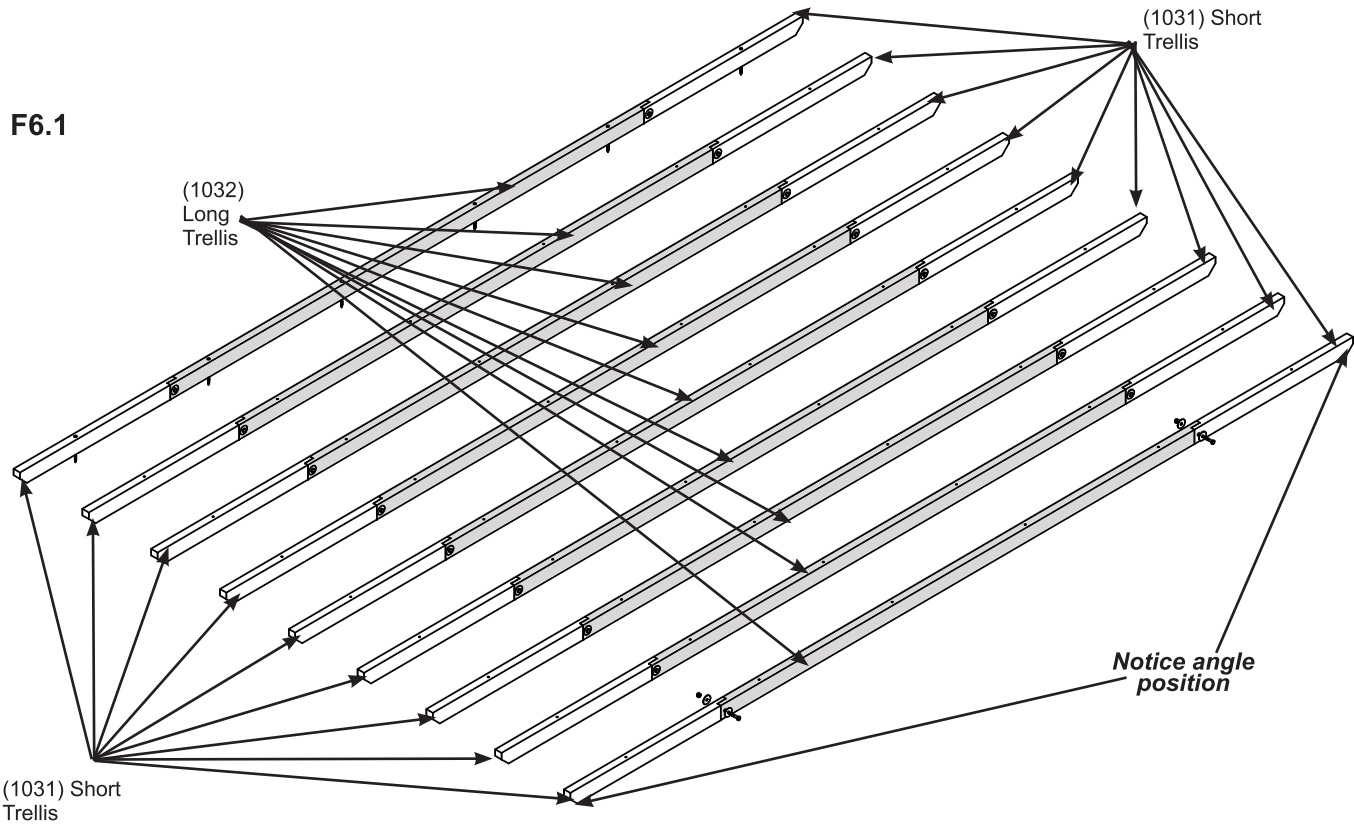
### Hardware

12 x 1/4 x 1-3/4" Hex Bolt (1/4" lock nut)

# Step 6: Trellis Assembly

**A:** At each end of one (1032) Long Trellis connect one (1031) Short Trellis with one 1/4 x 1-1/2" Hex Bolt (with 1/4-5/16" large washer x 2 and 1/4" lock nut) per end. Make sure angle in each (1031) Short Trellis is facing down. (F6.1 and F6.2)

**B:** Repeat Step A to complete nine Trellis Assemblies.



### Wood Parts

18 x (1031) Short Trellis  
9 x (1032) Long Trellis

### Hardware

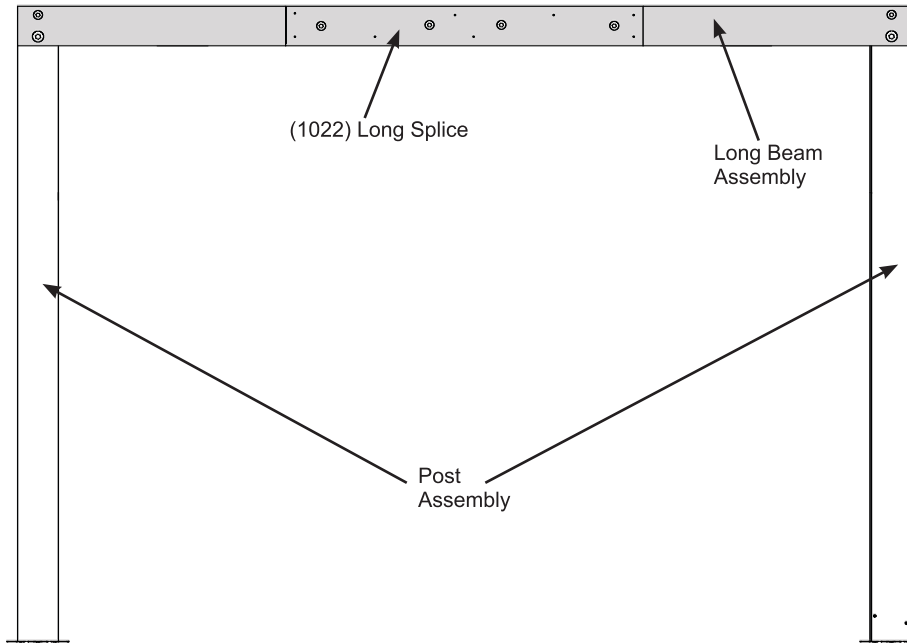
18 x 1/4 x 1-1/2" Hex Bolt  
(1/4-5/16" large washer x 2, 1/4" lock nut)

# Step 7: Frame Assembly - Long Beam Part 1

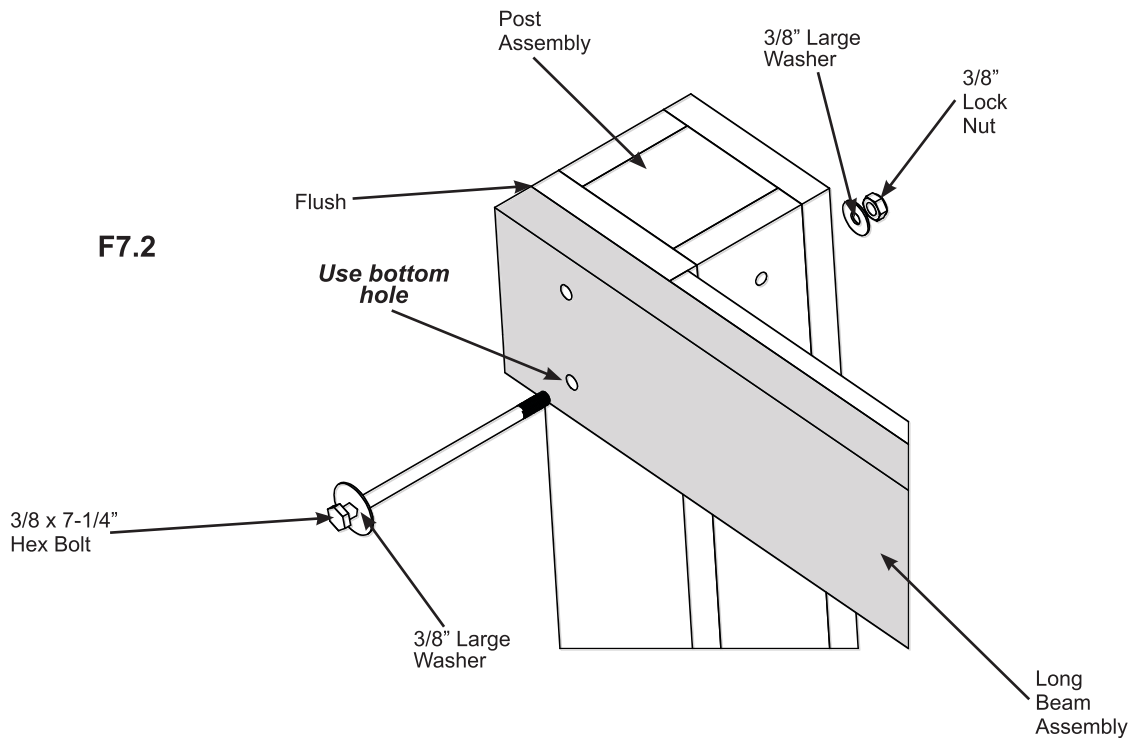


**A:** Lay two Post Assemblies on a flat surface with lower bolt hole facing up then place one Long Beam Assembly over posts so tops of posts and tops of beams are flush and the (1022) Long Splice faces out. Using the bottom hole in the Long Beam Assembly attach with one 3/8 x 7-1/4" Hex Bolt (with 3/8" large washer x 2 and 3/8" lock nut) per end. Make sure Long Beam Assembly is flush to the sides of each Post Assembly, the frame assembly is square and the bolts are tight. (F7.1 and F7.2)

F7.1



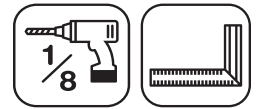
F7.2



### Hardware

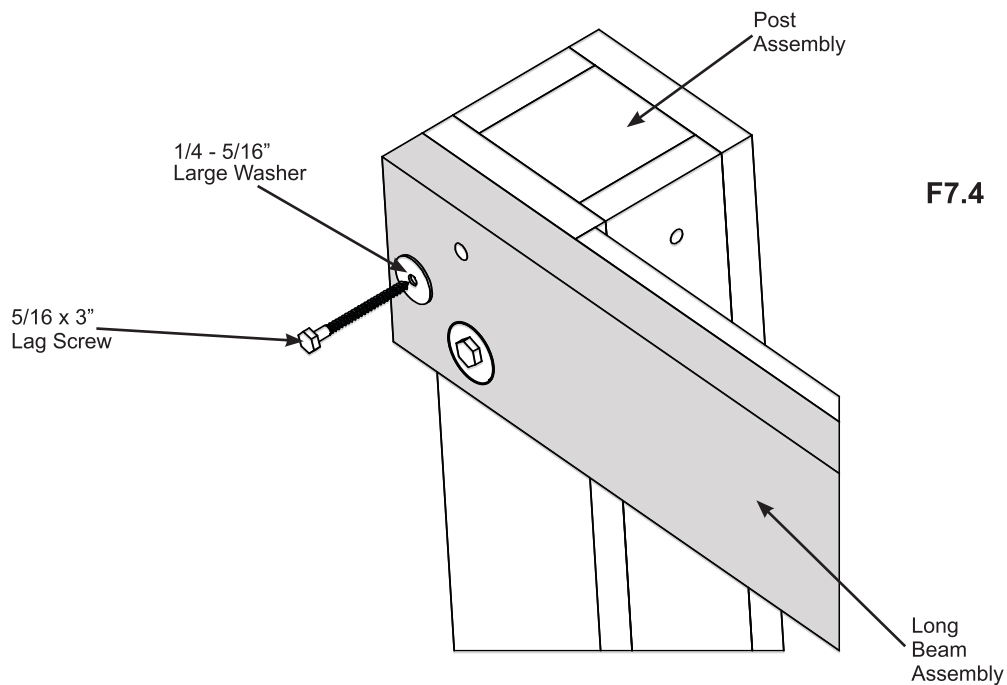
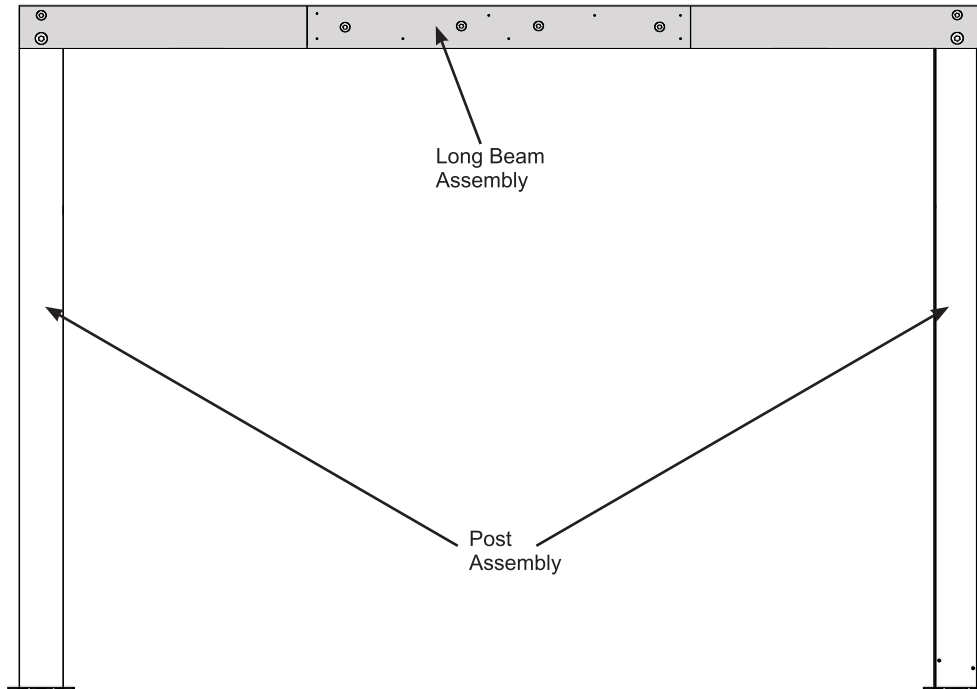
4 x 3/8 x 7-1/4" Hex Bolt  
(3/8" large washer x 2, 3/8" lock nut)

# Step 7: Frame Assembly - Long Beam Part 2



**B:** Make sure Assembly is still square then in the top holes pre-drill with a 1/8" drill bit and attach Long Beam Assembly to Post Assemblies with one 5/16 x 3" Lag Screw (with 1/4-5/16" large washer) per end. (F7.3 and F7.4)

F7.3

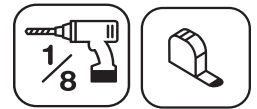


F7.4

## Hardware

4 x 5/16 x 3" Lag Screw (1/4-5/16" large washer)

# Step 7: Frame Assembly - Long Beam Part 3



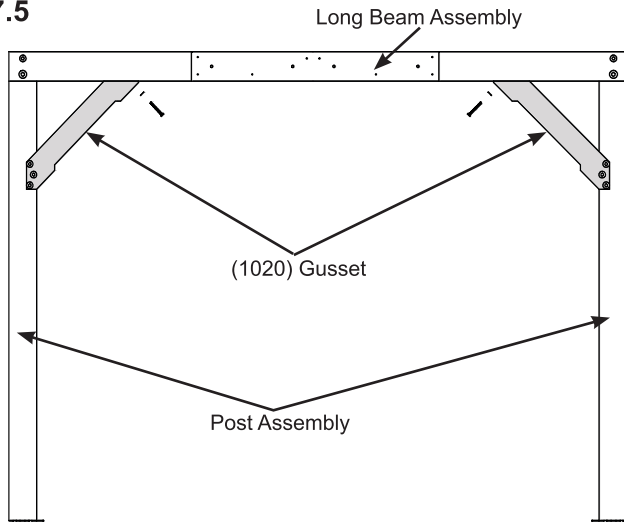
**C:** At each corner place one (1020) Gusset tight to Post Assemblies and bottom of Long Beam Assembly. Top of gusset should measure 25-5/8" (65.1 cm) from end of Long Beam Assembly. (F7.5 and F7.6)

**D:** Pre-drill with a 1/8" drill bit then attach (1020) Gussets to Long Beam Assemblies with one 5/16 x 3" Lag Screw (with 5/16" flat washer) per gusset. (F7.5 and F7.7)

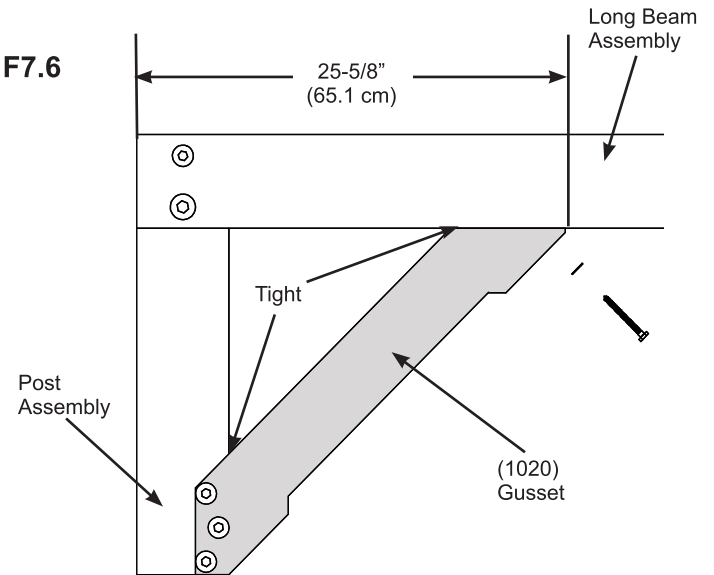
**E:** Pre-drill with a 1/8" drill bit then attach (1020) Gussets to Post Assemblies using three 5/16 x 3" Lag Screws (with 1/4-5/16" large washer) per gusset. (F7.5 and F7.8)

**F:** Repeat Steps A - E for second Long Beam Assembly.

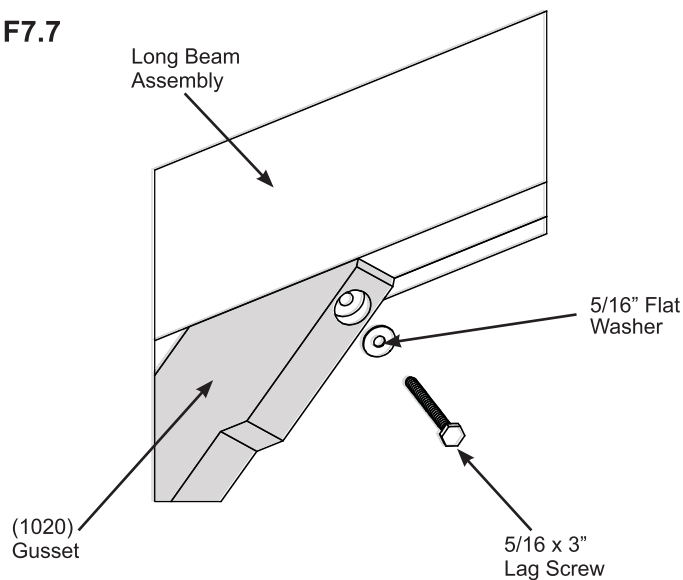
**F7.5**



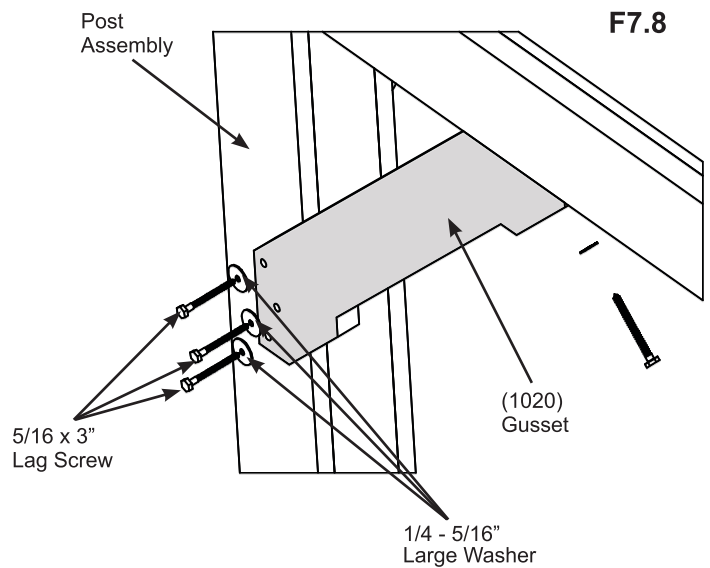
**F7.6**



**F7.7**



**F7.8**



### Wood Parts

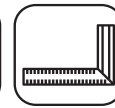
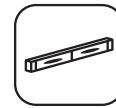
4 x (1020) Gusset

### Hardware

12 x 5/16 x 3" Lag Screw (1/4-5/16" large washer)  
4 x 5/16 x 3" Lag Screw (5/16" flat washer)

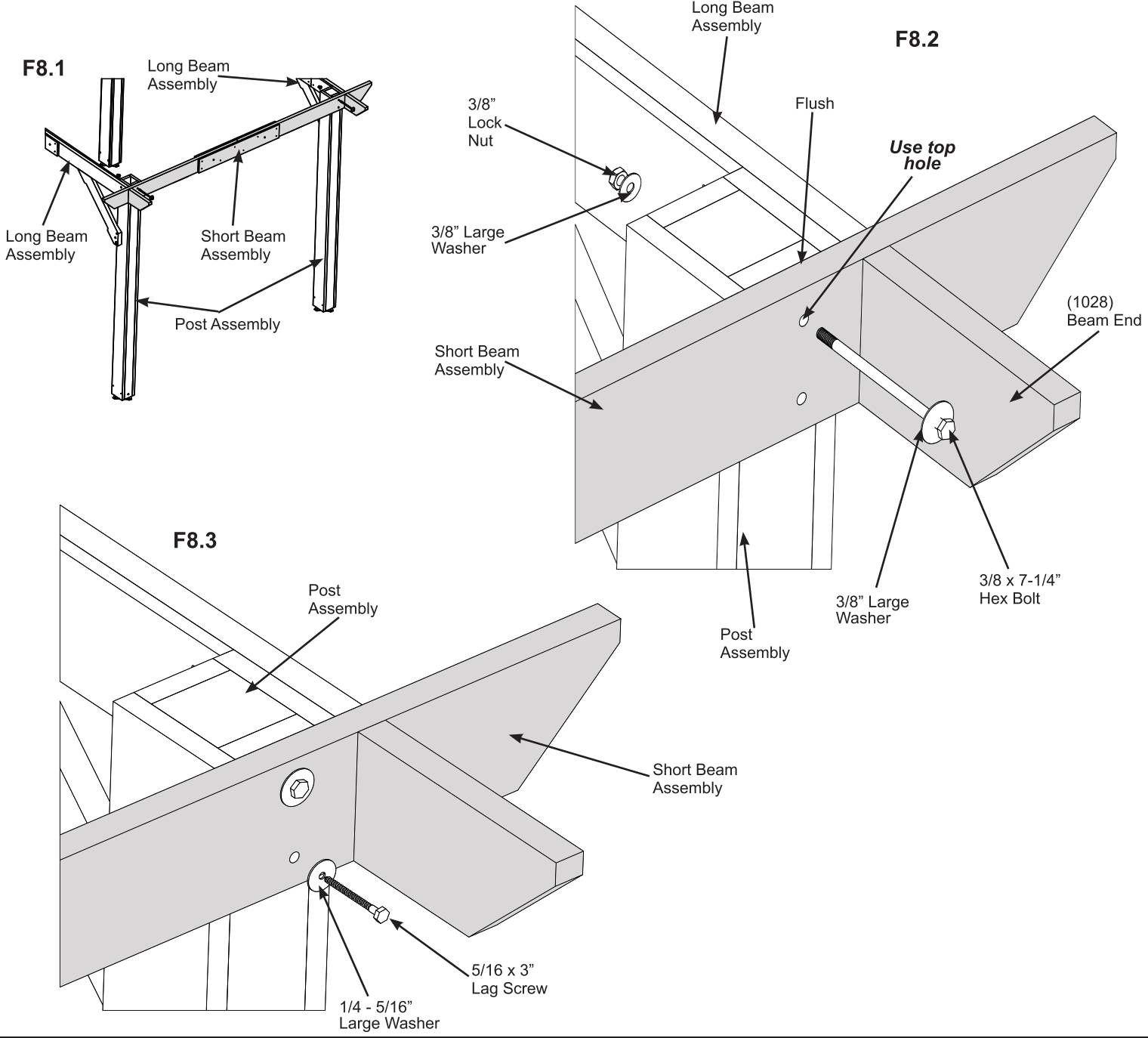


# Step 8: Frame Assembly - Short Beam Part 1



**A:** Lift the Post Assemblies with Long Beam Assemblies then place one Short Beam Assembly over posts so tops of posts and tops of beams are flush and the (1028) Beam End lines up with the Long Beam Assembly. Using the top hole in the Short Beam Assembly attach with one 3/8 x 7-1/4" Hex Bolt (with 3/8" large washer x 2 and 3/8" lock nut) per end. Make sure the assembly is square, level and the bolts are tight. (F8.1 and F8.2)

**B:** In the bottom holes pre-drill with a 1/8" drill bit and attach Short Beam Assemblies to Post Assemblies with one 5/16 x 3" Lag Screw (with 1/4-5/16" large washer) per end. Repeat A and B for second Short Beam Assembly. (F8.1 and F8.3)

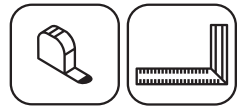


### Hardware

4 x 3/8 x 7-1/4" Hex Bolt  
(3/8" large washer x 2, 3/8" lock nut)

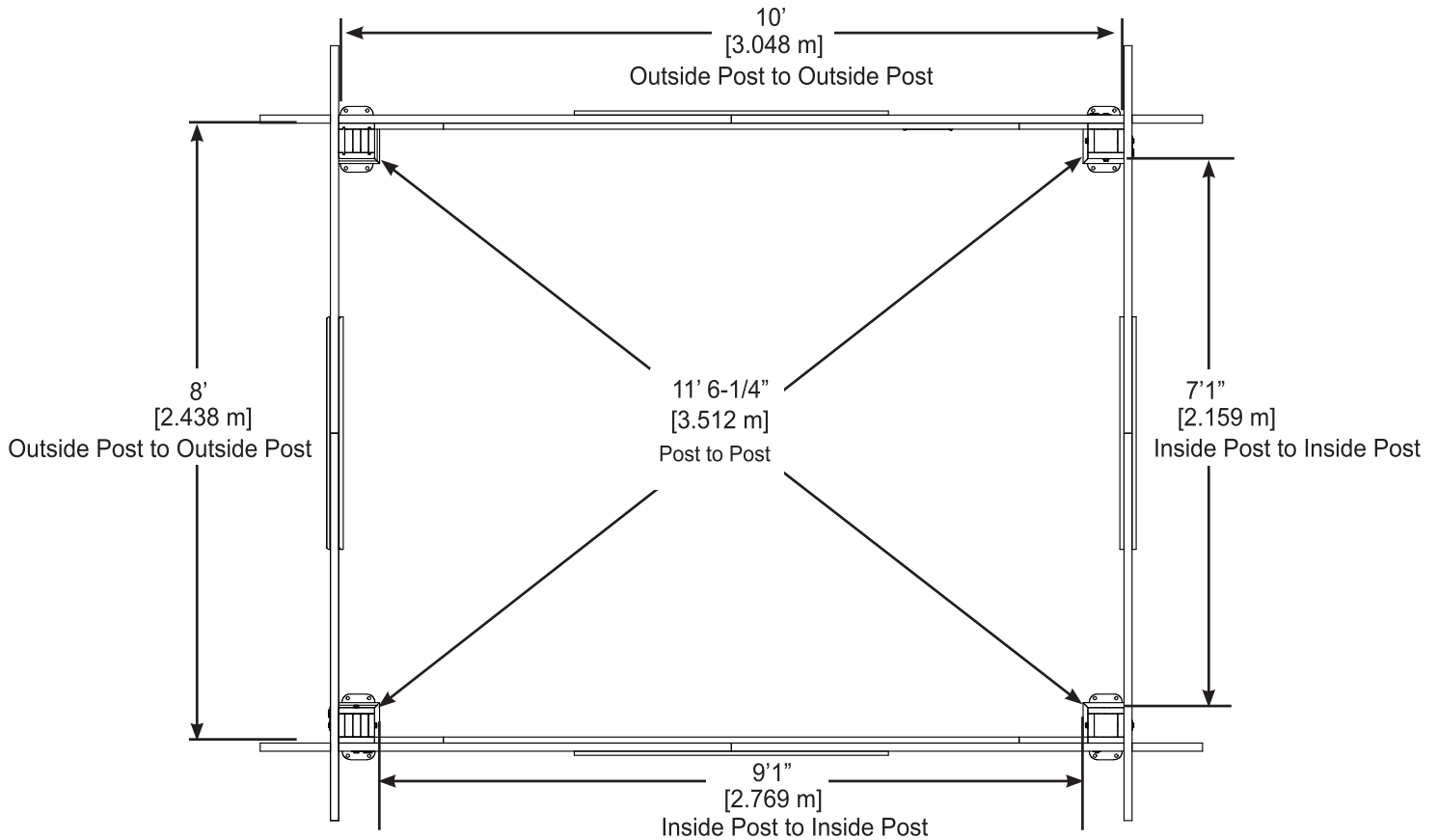
4 x 5/16 x 3" Lag Screw (1/4-5/16" large washer)

# Step 8: Frame Assembly - Short Beam Part 2

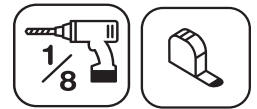


**C:** On the long side the distance from outside the posts should measure 10' (3.048m). On the short side the distance from outside the posts should measure 8' (2.438 m). Diagonally from post to post should measure 11' 6-1/4" (3.512 m). Frame Assembly should be square at all corners. (F8.4)

**F8.4**



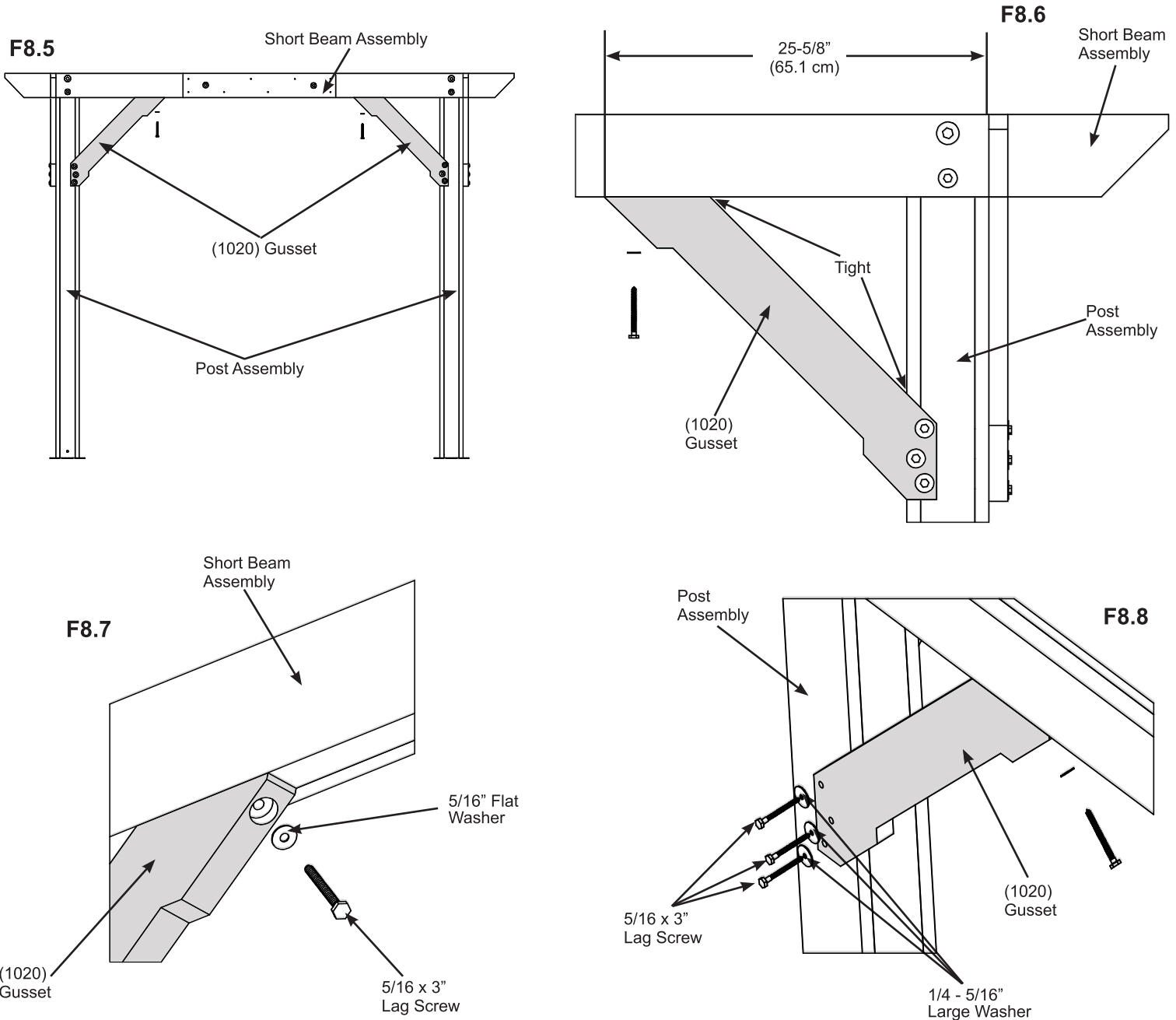
# Step 8: Frame Assembly - Short Beam Part 3



**D:** At each corner on the short sides place one (1020) Gusset tight to Post Assemblies and bottom of Short Beam Assemblies. Top of gusset should measure 25-5/8" (65.1 cm) from end of Post Assembly. (F8.5 and F8.6)

**E:** Pre-drill with a 1/8" drill bit then attach (1020) Gussets to Short Beam Assemblies with one 5/16 x 3" Lag Screw (with 5/16" flat washer) per gusset. (F8.5 and F8.7)

**F:** Pre-drill with a 1/8" drill bit then attach (1020) Gussets to Post Assemblies using three 5/16 x 3" Lag Screws (with 1/4-5/16" large washer) per gusset. (F8.5 and F8.8)



### Wood Parts

4 x (1020) Gusset

### Hardware

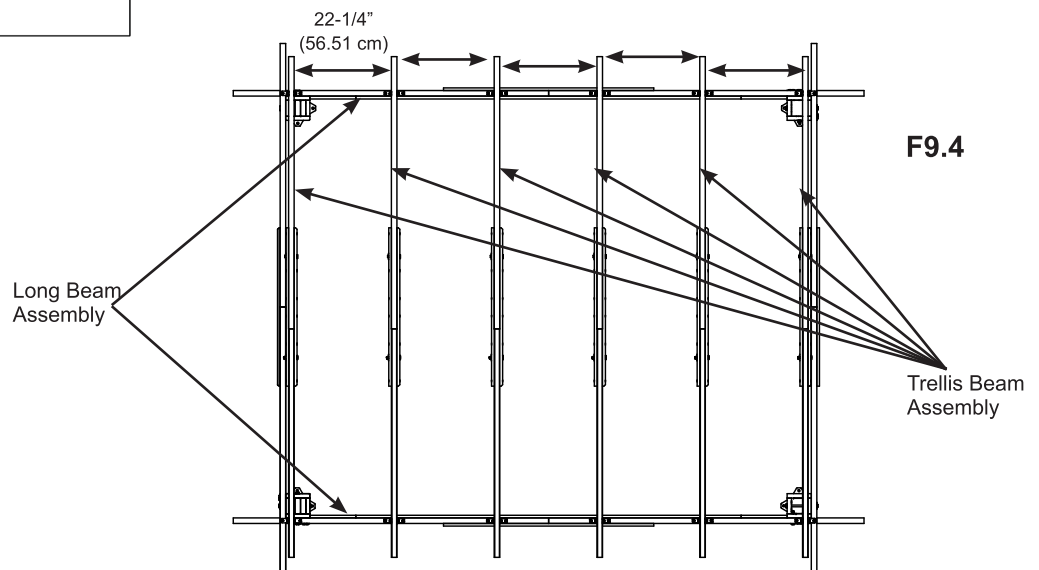
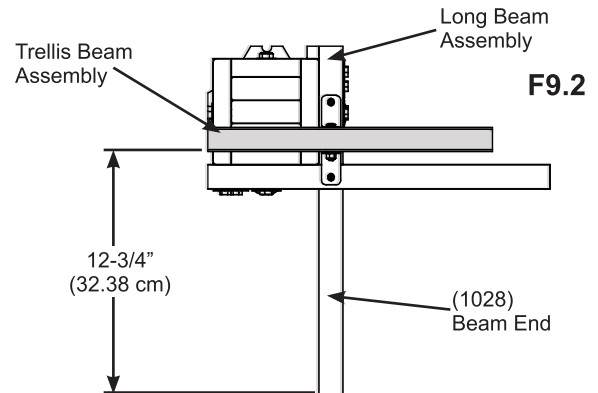
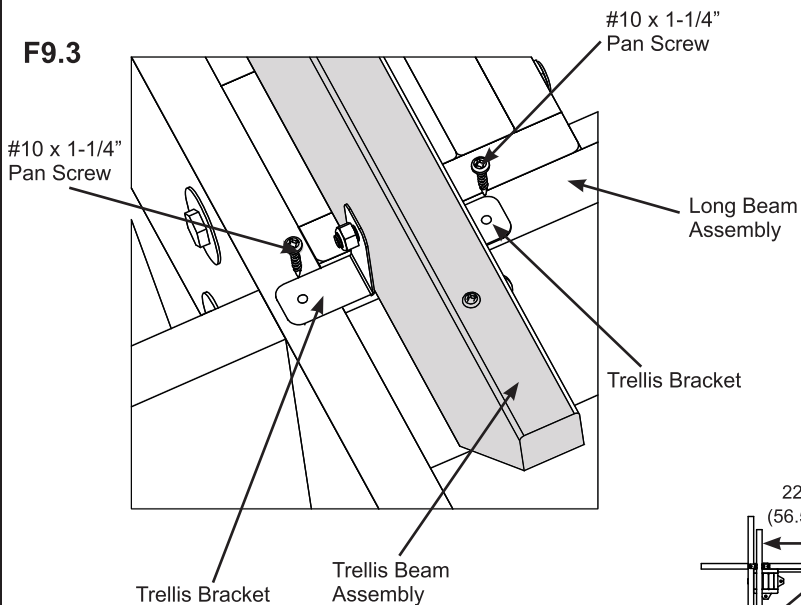
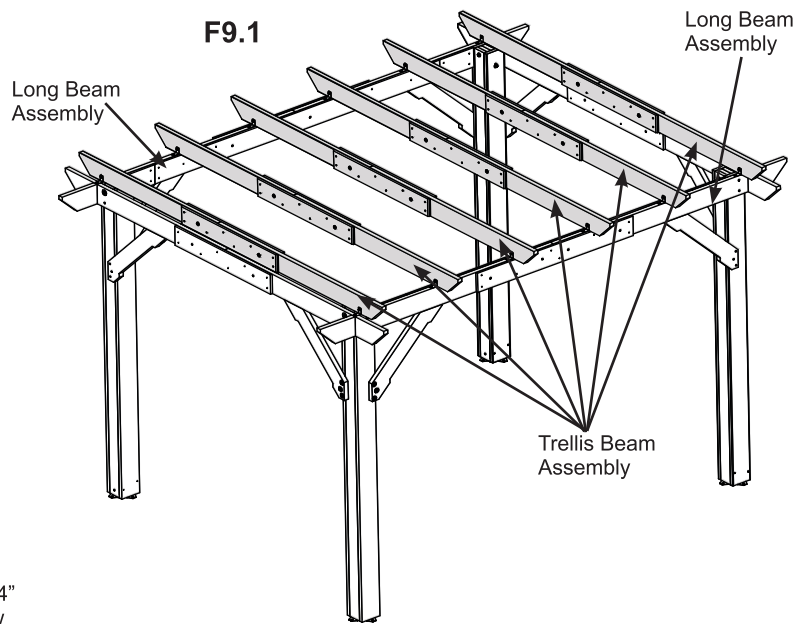
12 x 5/16 x 3" Lag Screw (1/4-5/16" large washer)  
4 x 5/16 x 3" Lag Screw (5/16" flat washer)

# Step 9: Attach Trellis Beam Assemblies



**A:** From the tip of (1028) Beam End measure 12-3/4" (32.38 cm) and place one Trellis Beam Assembly centred on each Long Beam Assembly and attach with one #10 x 1-1/4" Pan Screw through each Trellis Bracket. Repeat the other end of the Long Beam Assembly. (F9.1, F9.2 and F9.3)

**B:** Measure 22-1/4" (56.51 cm) from first Trellis Beam Assembly and place one Trellis Beam Assembly. Place remaining three Trellis Beam Assemblies 22-1/4" (56.51 cm) apart then attach to Long Beam Assemblies through Trellis Brackets with two #10 x 1-1/4" Pan Screws per end. (F9.1, F9.3 and F9.4)



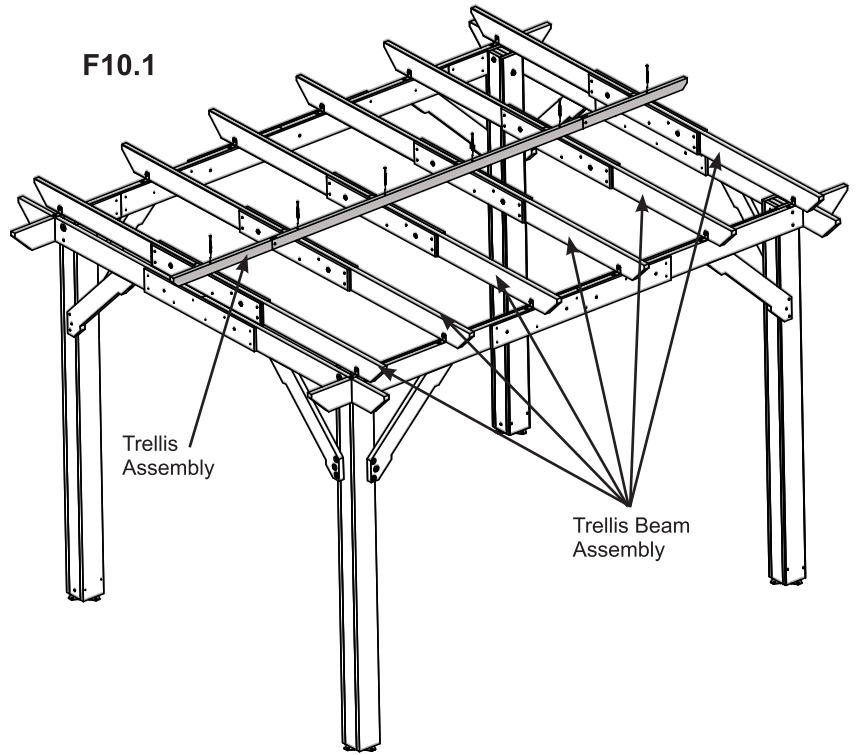
## Hardware

24 x #10 x 1-1/4" Pan Screw

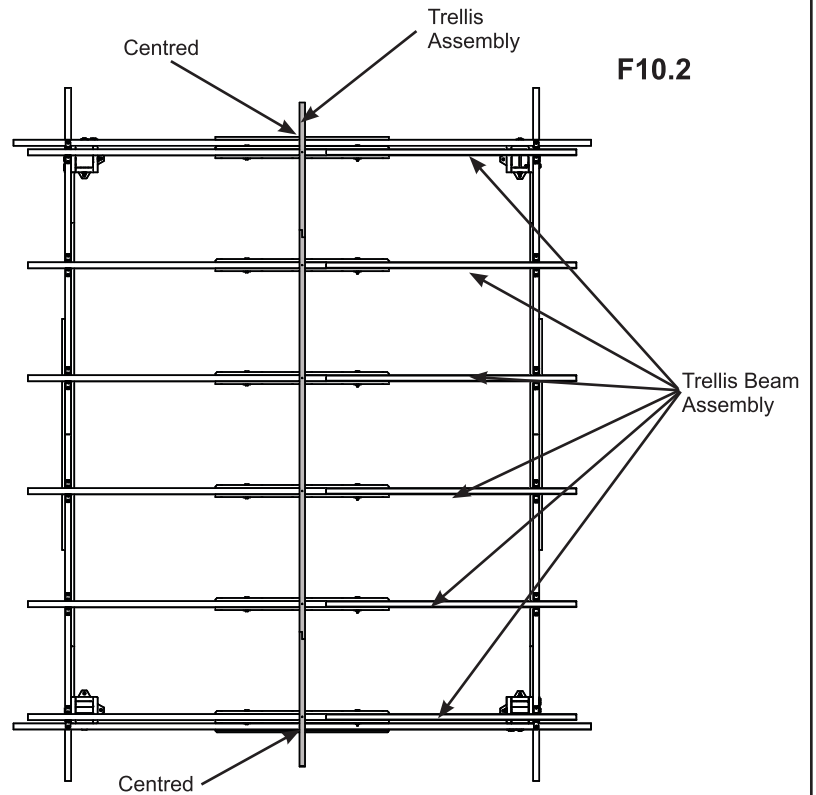
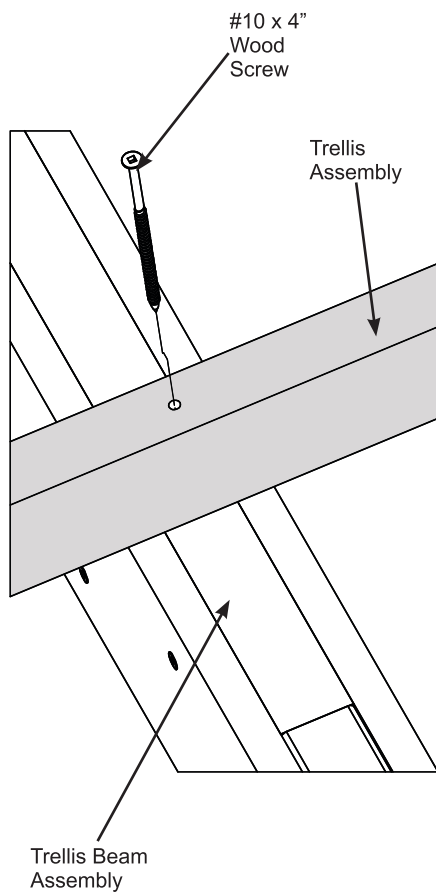
# Step 10: Attach Trellis Assemblies Part 1



**A:** Measure each outside Trellis Beam Assembly to find the centre then place one Trellis Assembly on top of each Trellis Beam Assembly so the pilot holes are centred over the beam. Attach with six #10 x 4" Wood Screws. (F10.1, F10.2 and F10.3)



**F10.3**



## Hardware

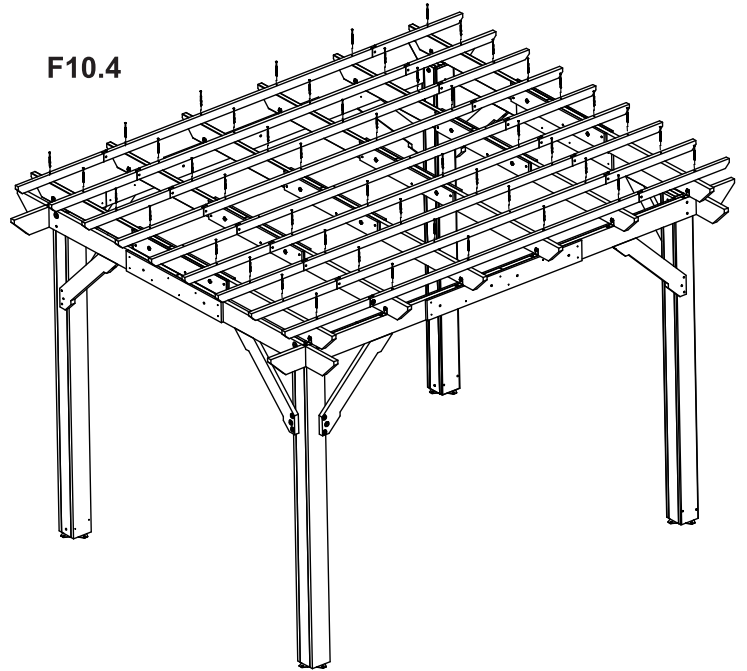
6 x #10 x 4" Wood Screw

# Step 10: Attach Trellis Assemblies Part 2

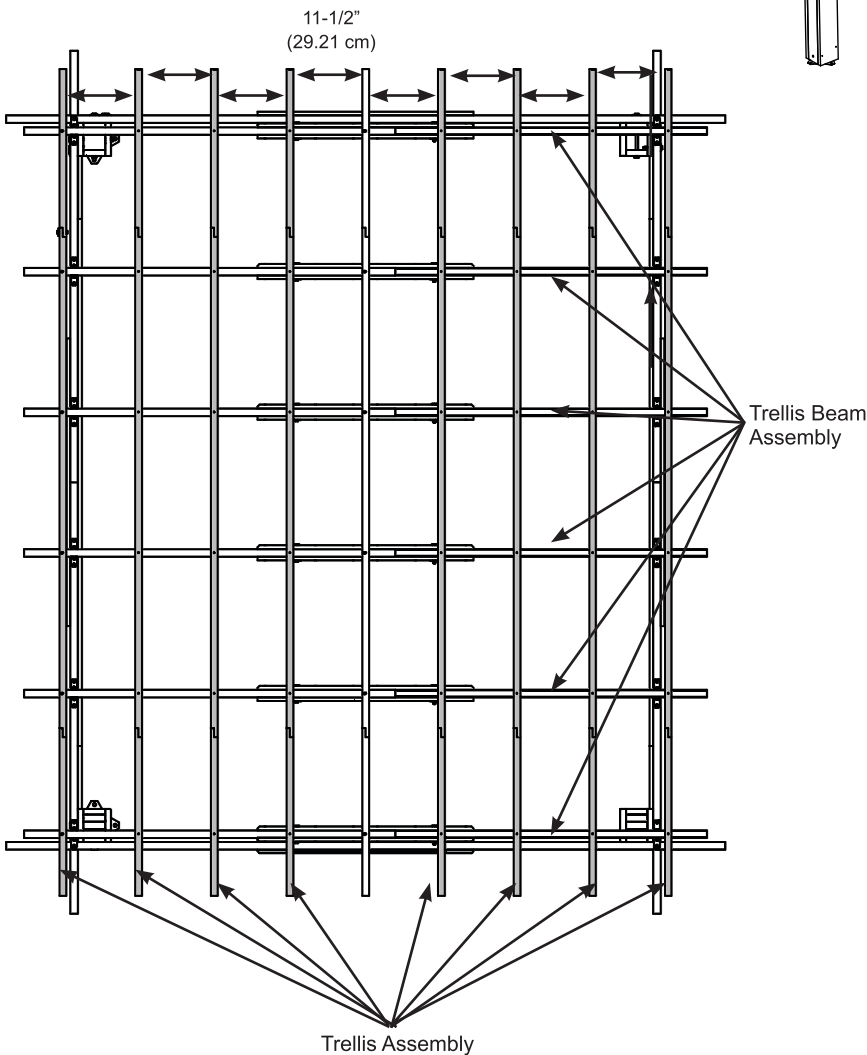


**B:** Moving outwards from each side of the first Trellis Assembly place remaining eight assemblies along Trellis Beam Assemblies. Distance between each Trellis Assembly should be 11-1/2" (29.21 cm). Attach with six #10 x 4" Wood Screws per Trellis Assembly. (F10.4, F10.5 and F10.6)

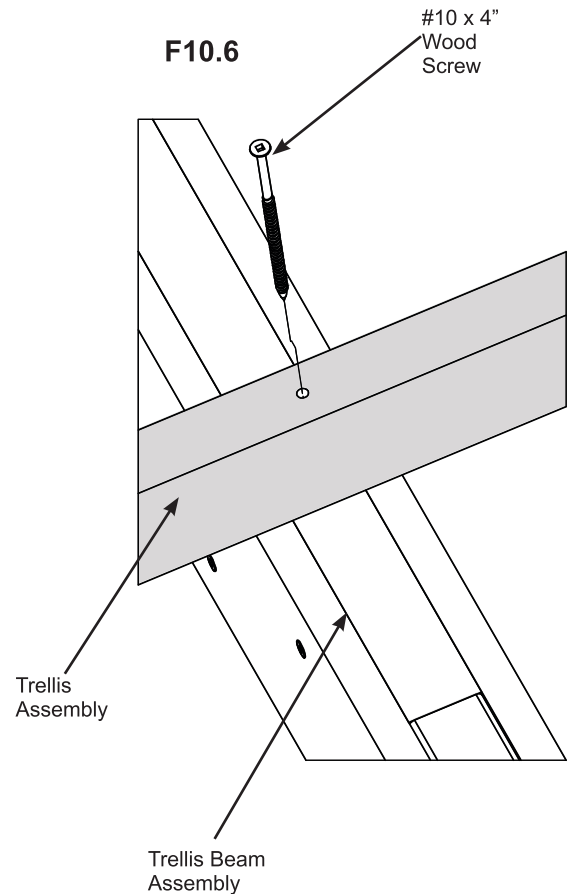
**F10.4**



**F10.5**



**F10.6**



### Hardware

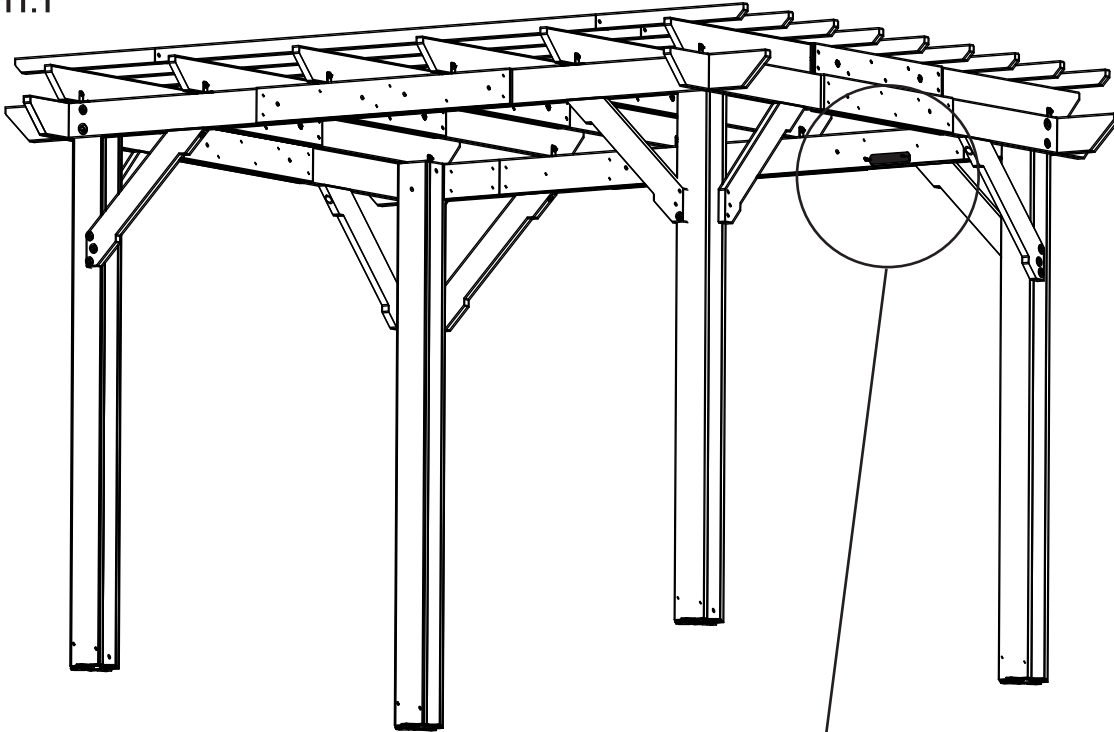
48 x #10 x 4" Wood Screw



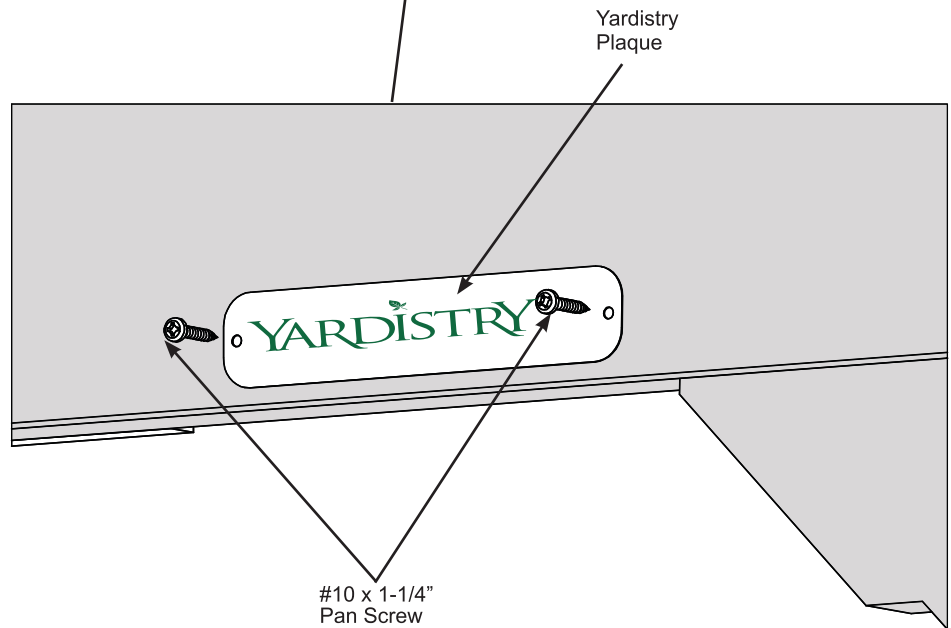
# Step 11: Attach Plaque

**A:** Attach Yardistry Plaque to a prominent location on your Pergola with two #10 x 1-1/4" Pan Screws. This provides warnings concerning safety and important contact information. A tracking number is provided to allow you to get critical information or order replacement parts for this specific model. (F11.1 and F11.2)

F11.1



F11.2



**Componets:**

1 x Yardistry Plaque

**Hardware**

2 x #10 x 1-1/4" Pan Screw



# NOTES

---

---

---

---

---

---

---

---

---

---

---

---

---

---

---

---

---

---

---

---

---

---

---

---

---

---

---

---

---

---



## Customer Registration Card - Tarjeta de Registro del Cliente - Carte d'inscription du client

First Name - Primer Nombre - Prénom	Initial - Inicial - Initiale	Last Name - Apellido - Nom de famille

Street - Calle - Rue	PO Box - Casilla postal - Boîte postale	Apt. No. - App.

City - Ciudad - Ville	State/Province - Estado/Provincia - État/Province

ZIP/Postal Code - Código Postal - ZIP/Code postal	Country - País - Pays

E-mail Address - Dirección de E-mail - Adresse courriel	Telephone Number - No. de Teléfono - N° de téléphone

Model Name - Nombre del Modelo - Nom du modèle	Model Number (from front cover) - Número de Modelo (de la portada) - N° du modèle (page de couverture)

Date of Purchase - Fecha de Compra - Date d'achat (mm/dd/yyyy) (mm/dd/aaaa) (mm/jj/aaaa)	Place of Purchase - Comprado a - Lieu d'achat

Comments - Comentarios - Commentaires:

### Mail To - Enviar por Correo a - Envoyer par courrier à:

Yardistry  
375 Sligo Road West, PO Box 10  
Mount Forest, Ontario, Canada, N0G 2L0  
Attention: Consumer Relations  
Atención a: Servicio de Atención al Cliente  
À l'attention de: Service à la clientèle

### Online Registration - Registro online - Enregistrement en ligne:

<http://yardistrystructures.com/warranty.php>

Yardistry would like to say "Thank you" for your time and feedback.  
Yardistry quiere "Agradecerle" por su tiempo y su opinión.  
Yardistry aimerait vous remercier d'avoir pris le temps de répondre au sondage.