



Best Barns USA

Assembly Book

Revised November 29, 2022



Arlington II

Building Size
12' x 16'

Manufactured by RBS Holdings, LLC

205 Arlington Drive

Greenville, PA 16125

This manual is copyrighted. Under the copyright laws, this manual may not be copied, in whole or in part, without consent from RBS Holdings, LLC © Copyright 2022

IMPORTANT INFORMATION ABOUT YOUR KIT

Thank you for purchasing our kit. Please read the following information before beginning construction. Always check with your local HOA or building code office for any requirements or restrictions.

Inventory all items received within 30 days of delivery.

Should there be missing items or sub-par material contact Best Barns Customer Service. Best Barns cannot guarantee replacement of items beyond 30 days notification.

Floor: Wood flooring is sold optionally. You may choose to build your own or pour a cement pad.

Always wear safety glasses when cutting or nailing!

Tools Required:	Hand or Circular Saw	Level	Safety Glasses
	Cordless Drill	Measuring Tape	Dust Mask
	Hammer	6'-8' Ladder(s)	Phillips Screwdriver
	Pencil		Framing Square

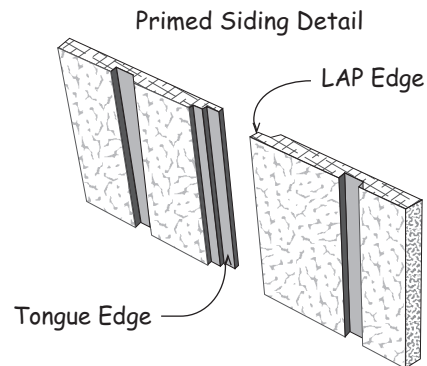
Additional Materials - **Not included in kit:**

Required: Shingles or metal roofing, Drip Edge, Roofing Nails or Screws, Paint

Optional: Caulk, Ridge Vent

Terminology:

Square - Confirm corners are at 90 degrees
Plumb - Confirm walls and trusses are straight vertically
Wall Plate - Top and bottom 2x4s used to frame walls
Tie Plate - 2x4s connecting wall sections together
Header - Spans top of door opening
OSB - Oriented Strand Board
LAP - Edge of siding that overlaps Tongue
Tongue - Edge of siding that is overlapped



Organize:

Unpack all items & organize according to size and type. This will make items easier to find when instructed. If you are not immediately building the kit stack items tightly to prevent lumber from warping. Cover to protect from the elements.

DO NOT discard any material including the pallet until your project is complete.

Assembly:

Review all instructions before you begin. Please follow steps carefully and in sequence for successful results.

If you have any questions we are happy to assist you. Please contact us at:

800-245-1577 - Mon - Fri 8AM - 5PM EST

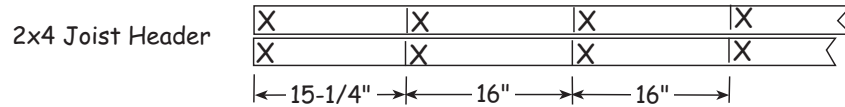
724-866-4357 - After hours and weekends

Email - help@barnkits.com

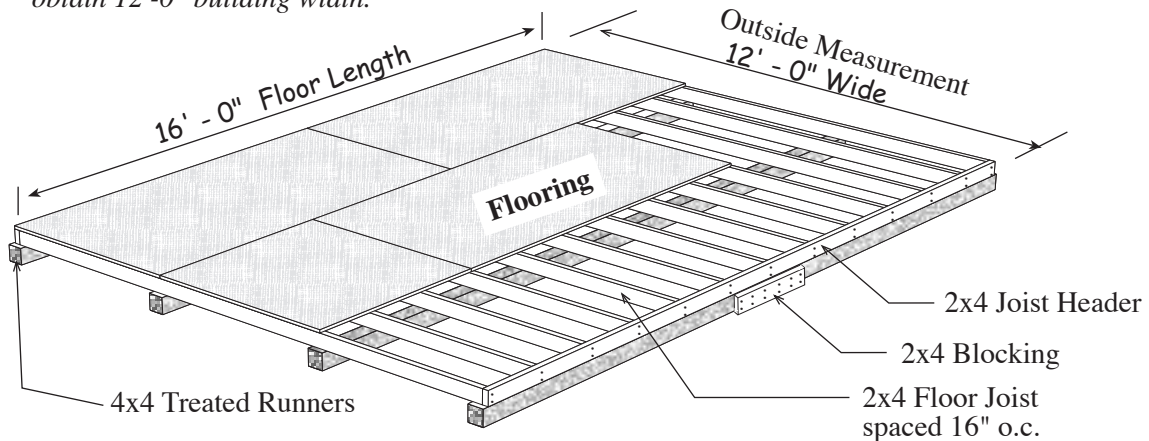
Constructing Details for Deluxe Floor System

Foundation size is 12'-0" x 16'-0". Check local building codes in your area, the construction may have to change. For a concrete slab, install sill sealer as a moisture barrier between the concrete and the wall plates. Foam sill sealer can be purchased at home centers in rolls 3-1/2" or wider.

1. Cut (2) two 2x4-8' boards into 2' long blocks. Butt the 4x4-8' timbers together to make 16' runners. Secure the 4x4s together with the 2' long 2x4 blocks and 16d galvanized nails.
2. Cut (2) two 2x4 joist headers to 16' - 0". Layout for 16" on center joist spacing. 'X' marks where floor joist will be placed.



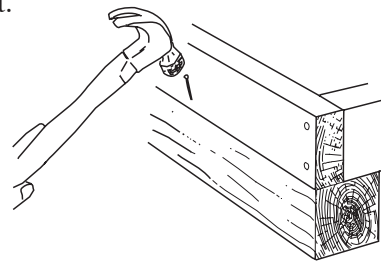
3. Cut 2x4-12' floor joist to 11'-9". *Treated lumber may be thicker than 1-1/2". Take this into account when cutting the length of floor joists. Shorten joist measurements if necessary to obtain 12'-0" building width.*



It is important that the floor be level and square. Square the floor as follows: before nailing the flooring, measure the floor diagonally (corner to corner). Then measure the opposite corners; these measurements will be the same when the floor is square. Toenail frame to the 4x4 runners.

Install the flooring with 6d galvanized nails spaced 8" apart.

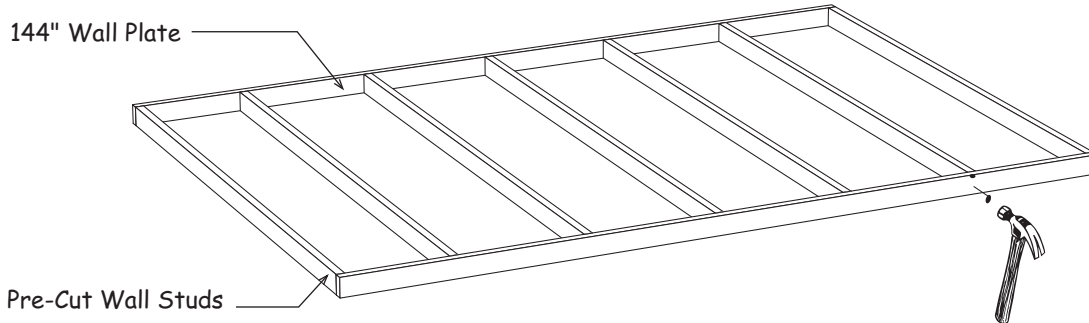
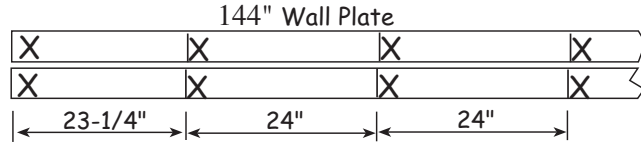
Material Description	Qty. & Size
2x4 Treated Blocking	2 pcs. 8'
2x4 Treated Floor Joists	13 pcs. 12'
2x4 Treated Joist Headers	2 pcs. 16'
4x4 Treated Runners	8 pcs. 8'
Flooring: 5/8" or 3/4"	6 pcs. 4x8
Galv. Spiral Floor Nails	3 lbs. 8d
Galvanized Deck Nails	3 lbs. 16d




Nail 2x4 joist headers and floor joist to 4x4 runners.

Step 1 Assemble 12' Back Wall

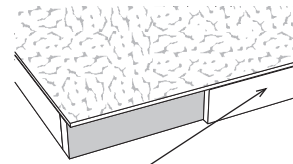
1. Cut (2) two 2x4-12' to a length of 144". Position the boards together and indicate with 'X' marks where the wall studs will be located.




 Depending on your location pre-cut wall studs vary in length from 92-1/4" to 93". This doesn't affect construction.

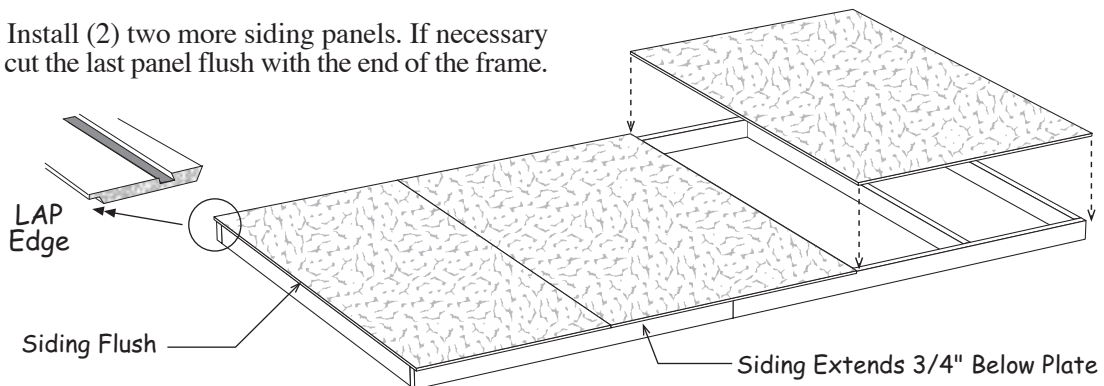
2. Install (7) seven pre-cut wall studs between the top & bottom plates. Nail studs to wall plates with 10d sinkers, (2) two nails on each end.
3. Square wall frame. Measure the wall diagonally (corner to corner). Then measure the opposite corners. These measurements will be the same if the wall is square.

4. Install the first siding panel with the 'LAP' edge flush with the end of the wall. Siding will extend 3/4" below the bottom plate. Nail siding with 6d galv. nails, spaced 8" apart.



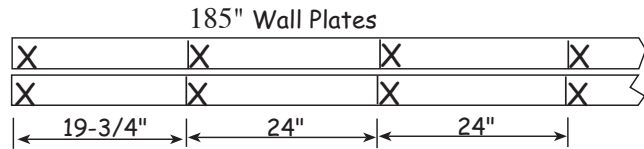
 Tip: use a 1x4 trim board as a gauge.

5. Install (2) two more siding panels. If necessary cut the last panel flush with the end of the frame.

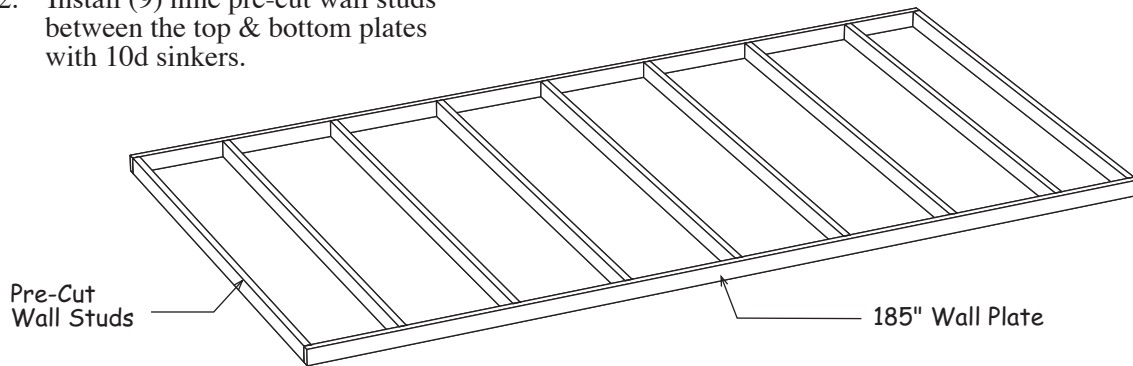


Step 2 Assemble Side Wall without Door

1. Cut (2) two 2x4-16' to a length of 185". Position the boards together and indicate with 'X' marks where the wall studs will be located.



2. Install (9) nine pre-cut wall studs between the top & bottom plates with 10d sinkers.

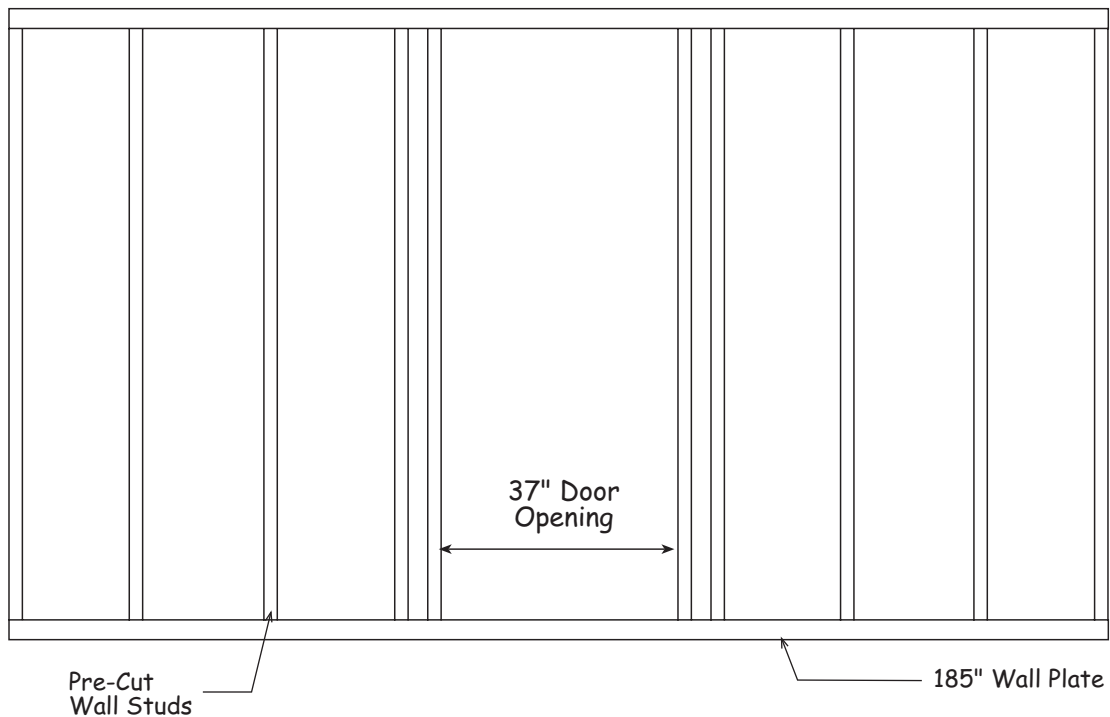
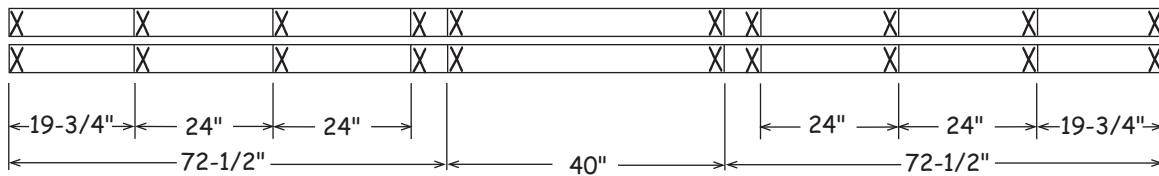


 Siding will be applied after the wall frame is set on floor,

Step 3A Assemble Side Wall with Door

 **Refer to door manufacturers specifications for rough opening size. Adjust measurements accordingly.**

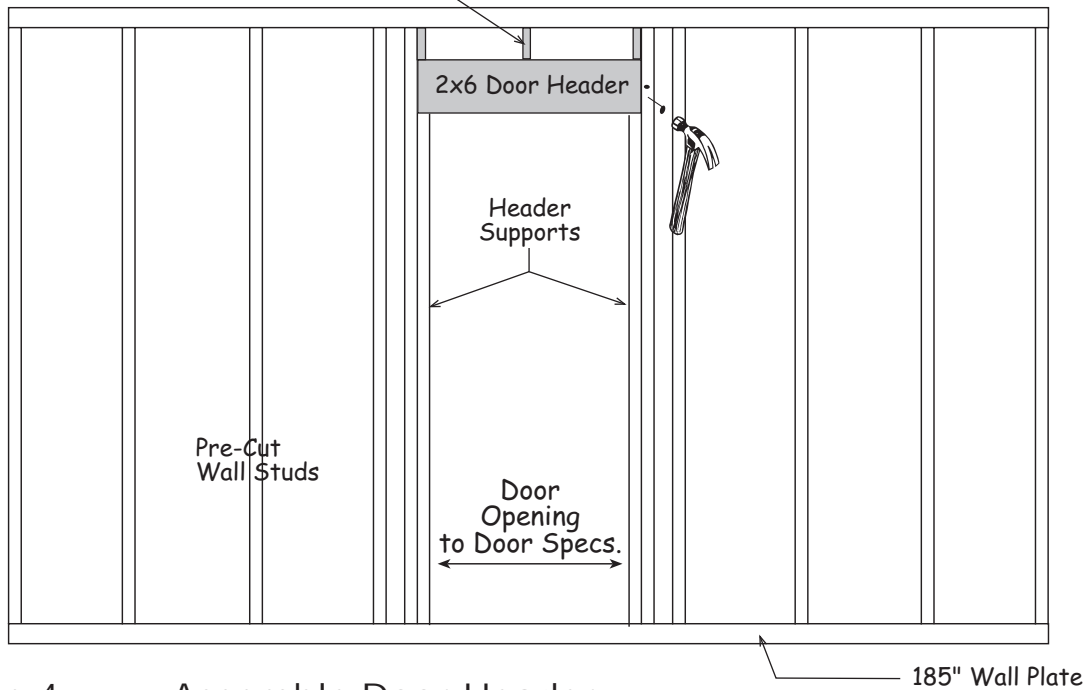
1. Cut (2) two 16' long 2x4 boards to a length of 185". Position the boards together and indicate with 'X' marks where the wall studs will be located.



2. Install (10) ten pre-cut wall studs between the 2x4s. Nail studs to wall places with 10d sinkers, (2) two nails on each end.

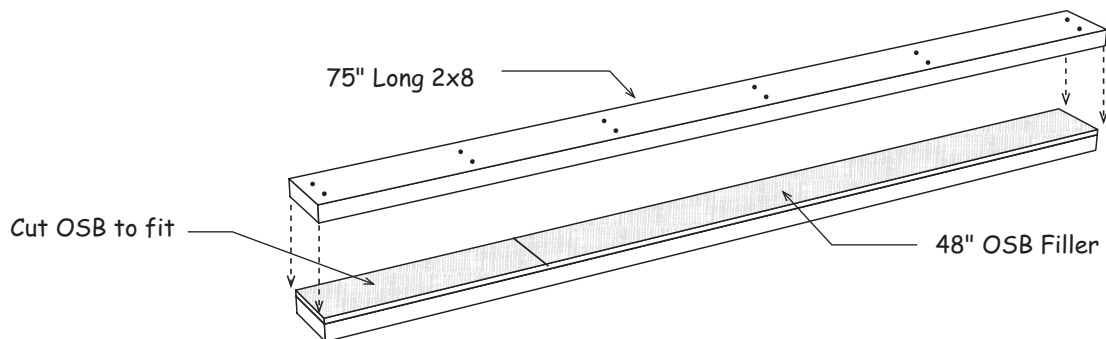
Step 3B Assemble Side Wall with Door continued

3. Locate pre-built door header, *packed in dormer carton*.
4. Refer to the door manufacturers specifications for correct rough opening size. Cut (2) two pre-cut wall studs to correct length (remember to account for 2x4 bottom plate) and install as header supports on each side of the door opening, *see detail below*. Nail to studs with 10d sinkers. Cut (3) three 2x4 blocks to fit above header. Nail through top plate and toenail to header.



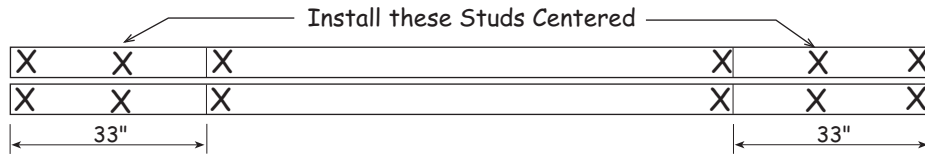
Step 4 Assemble Door Header

1. Locate (2) two 2x8-8' boards. Cut these boards to a length of 75".
2. Assemble the door header using 2x8 boards and (2) two 7-1/4" x 48" OSB filler included in our kit. Apply wood glue with a brush to both sides of OSB and install (1) one filler to one end. Cut to fit second OSB filler. Nail together with (12) twelve 10d sinkers spaced evenly on each side.



Step 5 Assemble Front Wall Frame

1. Cut (2) two 2x4-12' boards to a length of 144" for wall plates. Position the boards together and indicate with 'X' Marks where the wall studs will be located.

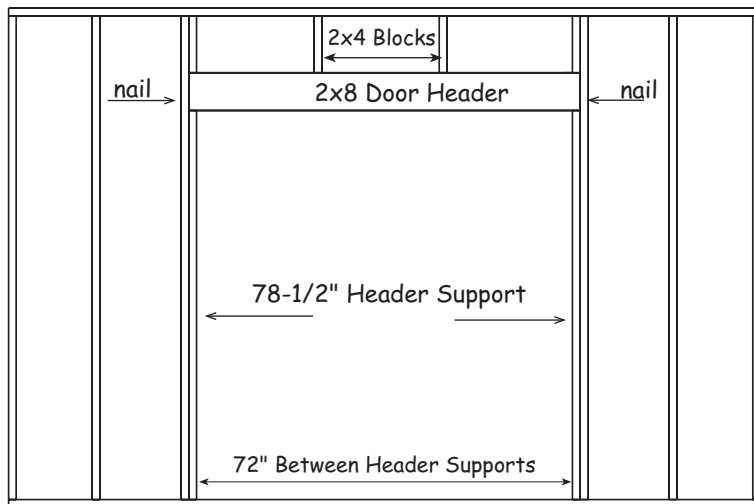


2. Install (6) six pre-cut wall studs between the wall plates where shown.

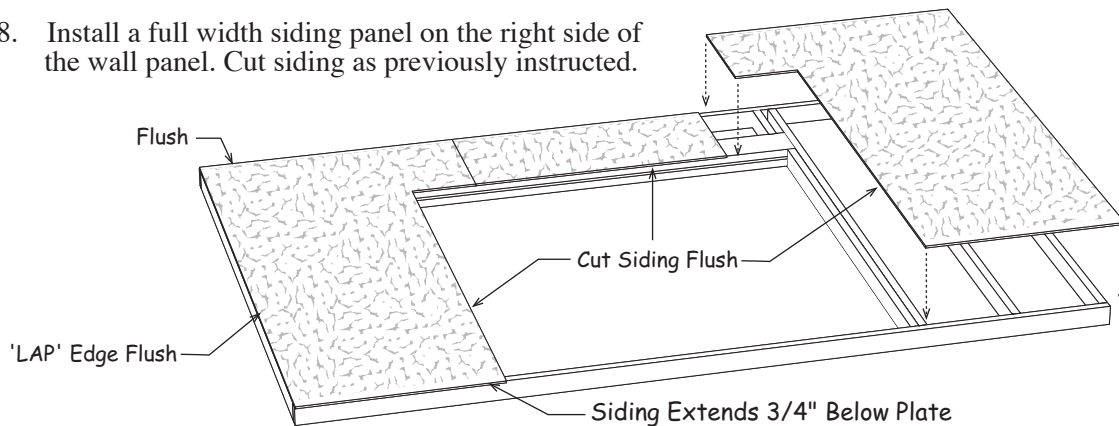
3. Cut (2) pre-cut studs to a length of 78-1/2" and install as header supports where shown. Nail to studs with 10d sinkers.

4. Install the door header on the 2x4 header supports. Nail to the stud with 10d sinkers.

5. Measure space between header and top plate. Cut from a pre-cut stud (4) four pieces to this length. Evenly space pieces and nail through top plate and toenail to header. Use 10d sinkers.

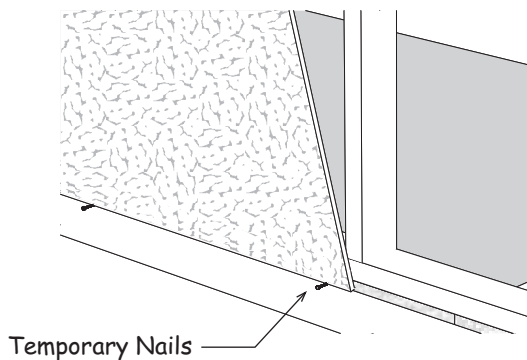



6. Place a full width siding panel with the 'LAP' edge flush with left side of wall frame. Siding should extend 3/4" below bottom plate. Before nailing siding, cut the siding flush with the side of the door opening and bottom of the door header.
7. Install a 20"x48" siding panel above the door opening. Cut the siding flush with the side of the door opening and bottom of the door header.
8. Install a full width siding panel on the right side of the wall panel. Cut siding as previously instructed.



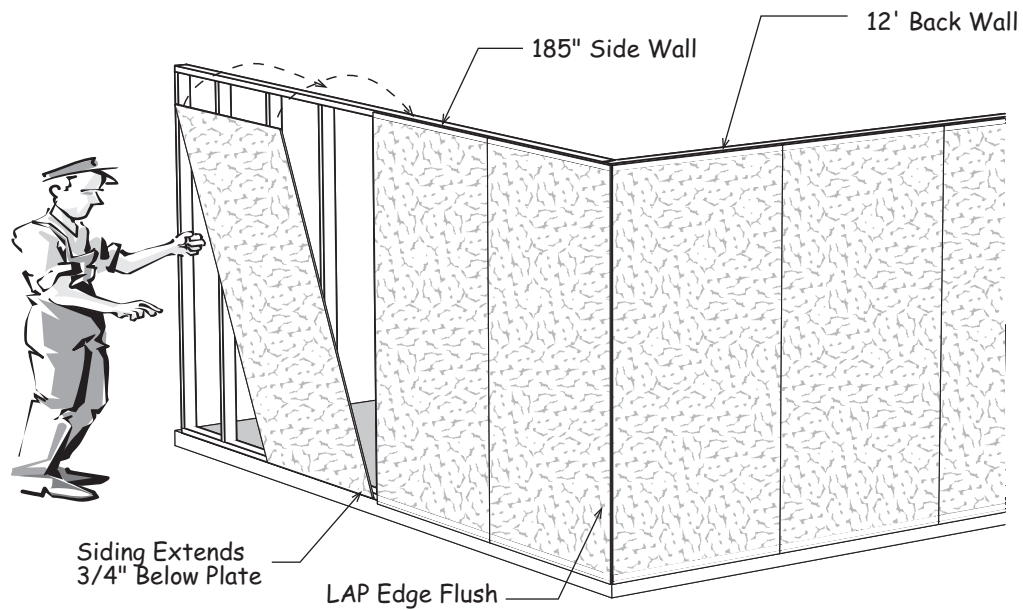
Step 6A Set Walls

1. Erect the back wall and side wall without door. Secure walls together at the corner. Use (4) four 10d sinkers. Brace walls with pre-cut wall studs to hold secure and plumb.
2. Starting at the corner install a full width siding panel with the 'LAP' edge flush with the siding on back wall. Siding should extend $3/4$ " below bottom plate. Nail siding to side wall and all 2x4s using 6d galv. nails spaced 8" apart.



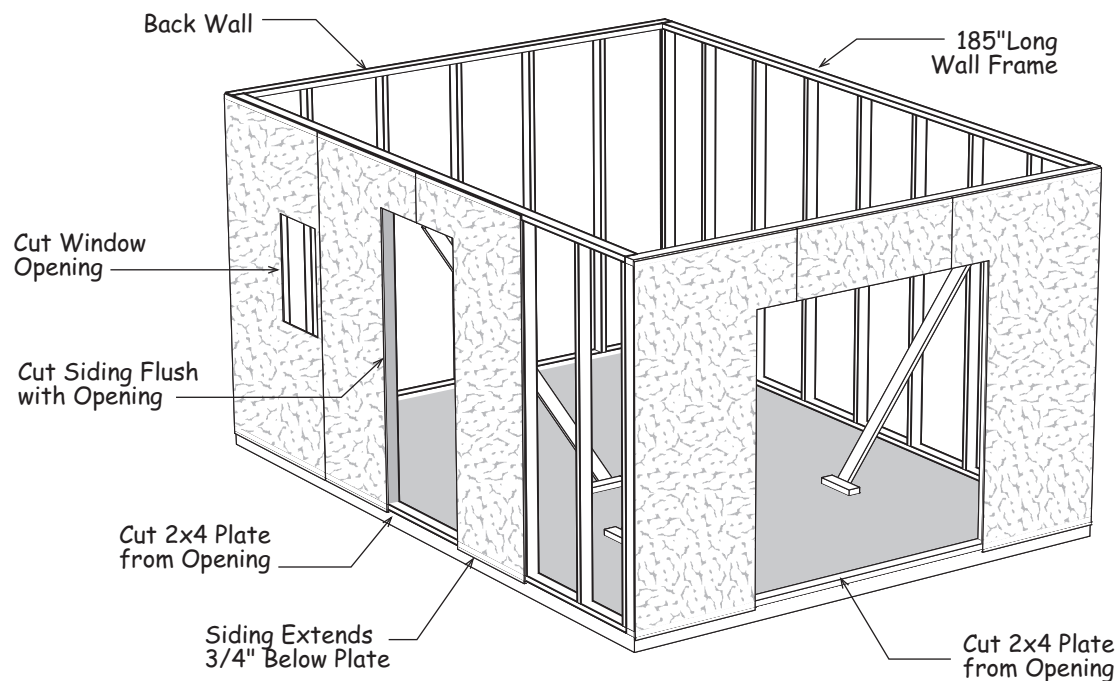
 *Tip: If you are erecting building on a wood floor insert nails between the $3/4$ " floor sheathing and the 2x4 floor frame. Rest the siding on the nails while nailing to frame.*

3. Install (3) three more siding panels. Last panel will extend approximately $3-1/2$ " past wall frame to receive the front wall panel.



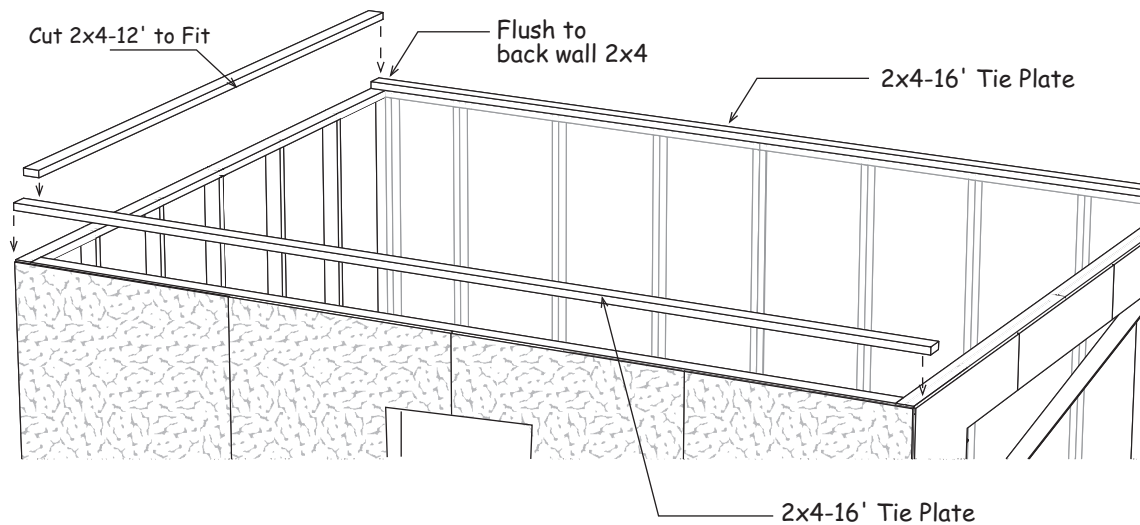
Step 6B Set Walls Continued

4. Erect the front wall panel and the side wall with door opening. Secure all walls together at the corners. Use (4) four 10d sinkers per corner. Brace walls with pre-cut wall studs to hold walls secure and plumb.
5. Starting at left corner install a full width siding panel with the 'LAP' edge flush with the siding on the back wall. Siding should extend $\frac{3}{4}$ " below bottom plate. Nail siding to side wall and all 2x4s using 6d galv. nails spaced 8" apart.
6. Install (2) two full width siding panels next. Before installing siding, cut the siding flush with the sides and top of door opening.
7. Install a fourth siding panel.
8. Locate where you want the windows, *packed in the dormer carton*, and cut openings in siding. Window installation instructions are in the window box.
9. Cut and remove bottom 2x4 from door openings.
10. Nail walls to floor through bottom plate. Space 10d sinkers 24" apart.

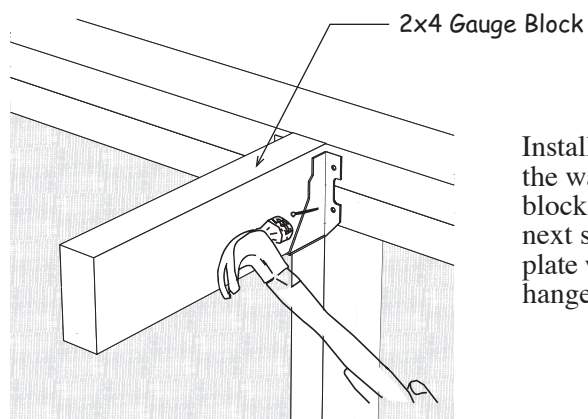


Step 7 Install 2x4 Tie Plates

1. Install a 2x4-16' board on a side wall, flush with the 2x4s on the front and back walls. Cut length to fit. Use 10d sinkers to secure this tie plate to front and back walls and along length.
2. Repeat to install 2x4 on the opposite side wall.
3. Cut (2) two 12' long 2x4s to fit between side wall tie plates and install on front and back walls.



Step 8 Install Metal 2x4 Joist Hangers

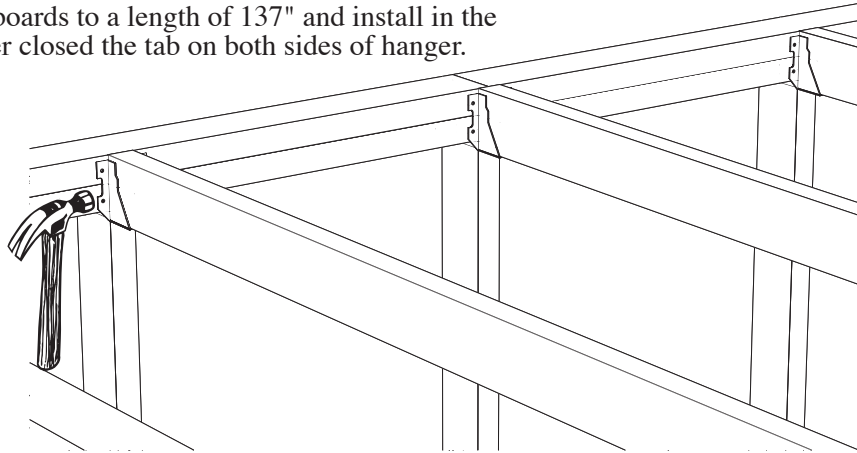


Install (14) fourteen 2x4 joist hangers aligned with the wall studs on both side walls. Use a short 2x4 block as a gauge to ensure the 2x4s, installed in next step, will be flush with the top of the 2x4 tie plate when installed. Secure the hanger with 1-1/2" hanger nails.

Step 9 Install Loft Floor

Important: Before securing the 2x4 floor joists make sure the side walls are plumb. The building width should be 12'-0" measuring from the outside of the 2x4 tie plates.

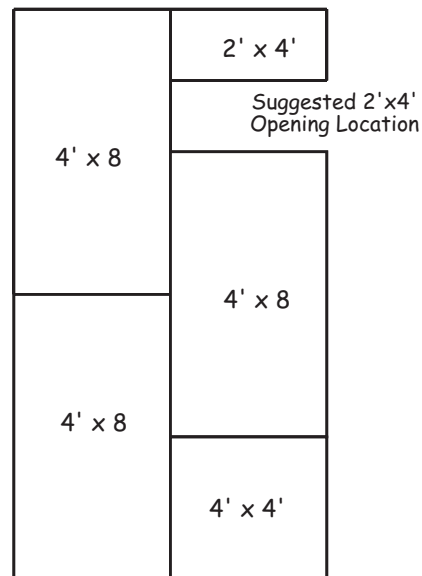
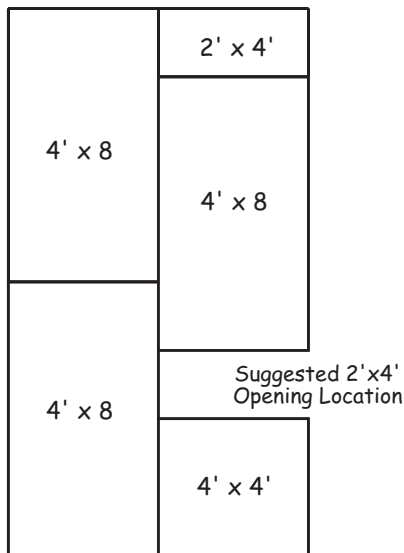
Cut (7) seven 2x4-12' boards to a length of 137" and install in the metal hangers. Hammer closed the tab on both sides of hanger.



Step 10A Install Loft Floor Sheathing

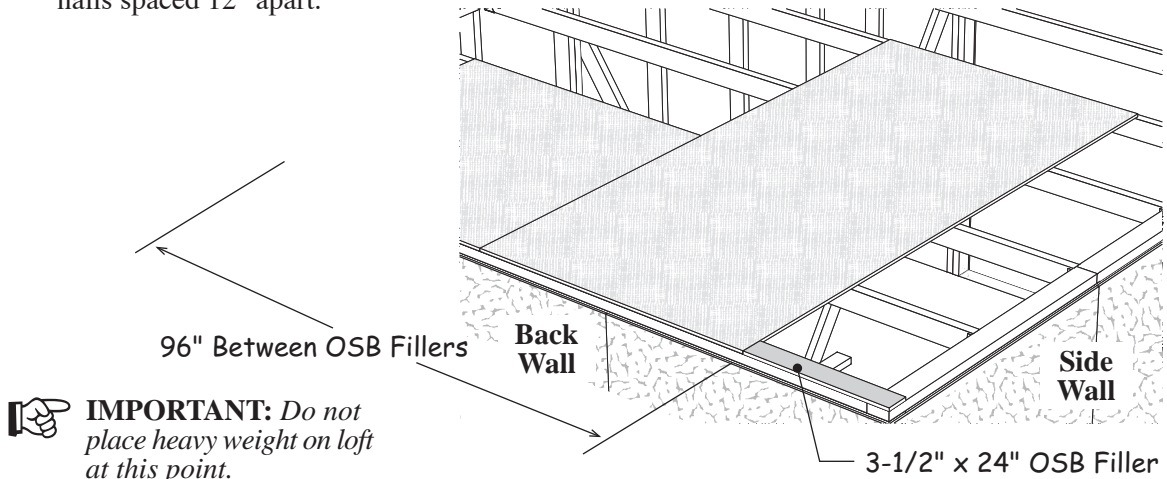


Before installing floor sheathing consider where to locate the 2' x 4' access opening. The detail below shows two possibilities. Regardless of desired layout it is important to install sheathing staggered.



Step 10B Install Loft Floor Sheathing continued

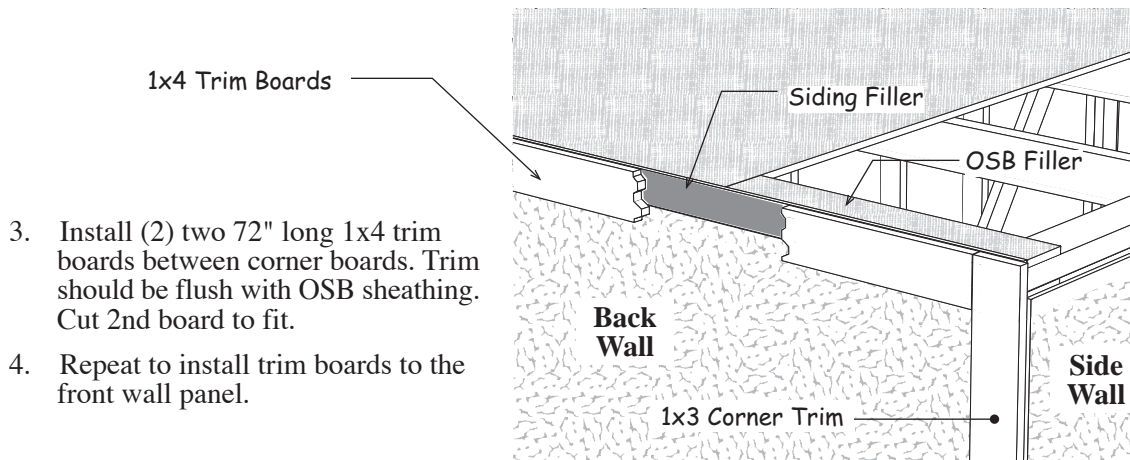
1. Locate (4) four 3-1/2" x 24" OSB fillers. Install at front and back corners on top of 2x4 tie plates. Use (4) four 6d common nails each. Insure the space between fillers is 96".
2. Install loft flooring between OSB fillers. Edge of sheathing should be flush with front and back wall tie plates. Refer to the suggested layout on previous page. Install flooring using 6d common nails spaced 12" apart.



Step 11 Install Corner Trim

IMPORTANT: Trim Must Be Installed Before Installing Roof Gables!

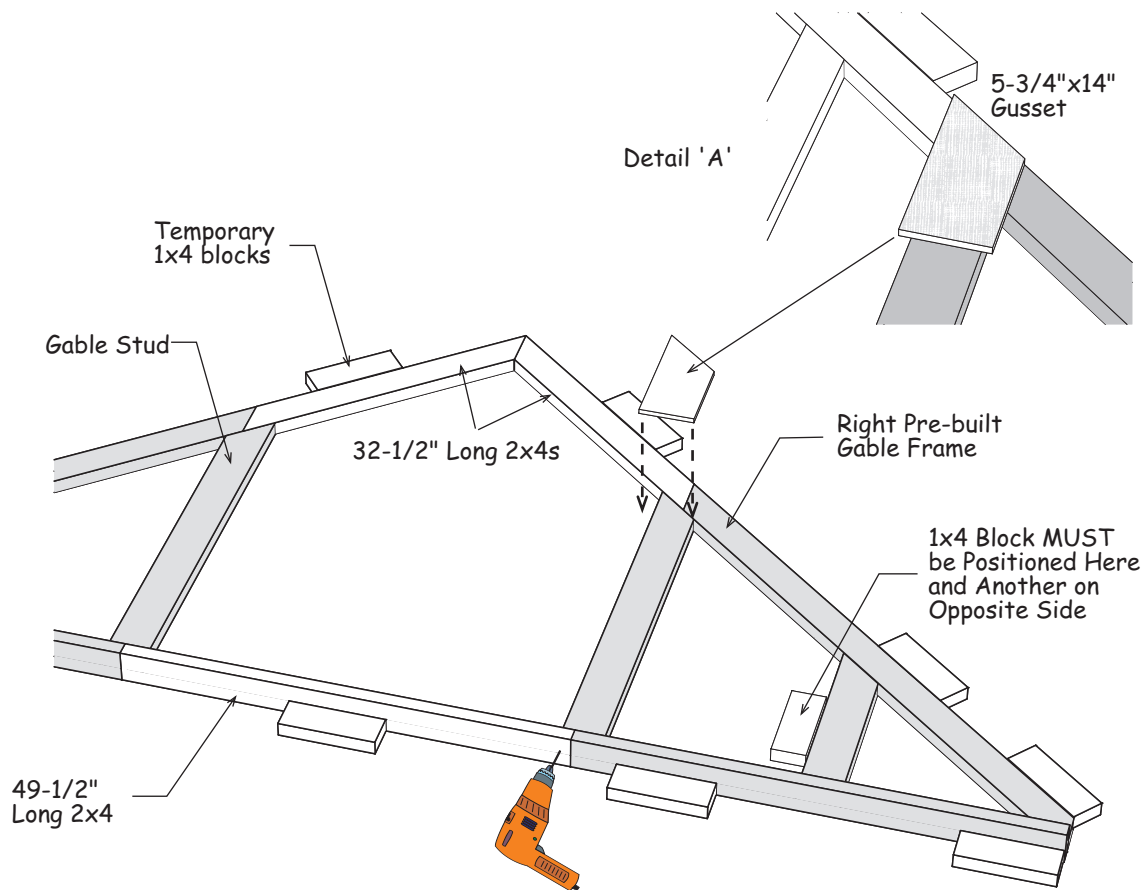
1. Locate (3) three 2" x 48-3/4" Siding filler strips. Nail these on top of the siding on the back wall. Use a few 6d galv. nails. More nails will be used on trim.
2. Install (2) two 99" long 1x3 trim boards as corner trim to the back wall. Cut length so trim is flush with top of OSB filler and bottom of siding. Install trim flush with the siding on the side walls. Use 6d galv. nails spaced 12" apart to install all trim.



3. Install (2) two 72" long 1x4 trim boards between corner boards. Trim should be flush with OSB sheathing. Cut 2nd board to fit.
4. Repeat to install trim boards to the front wall panel.

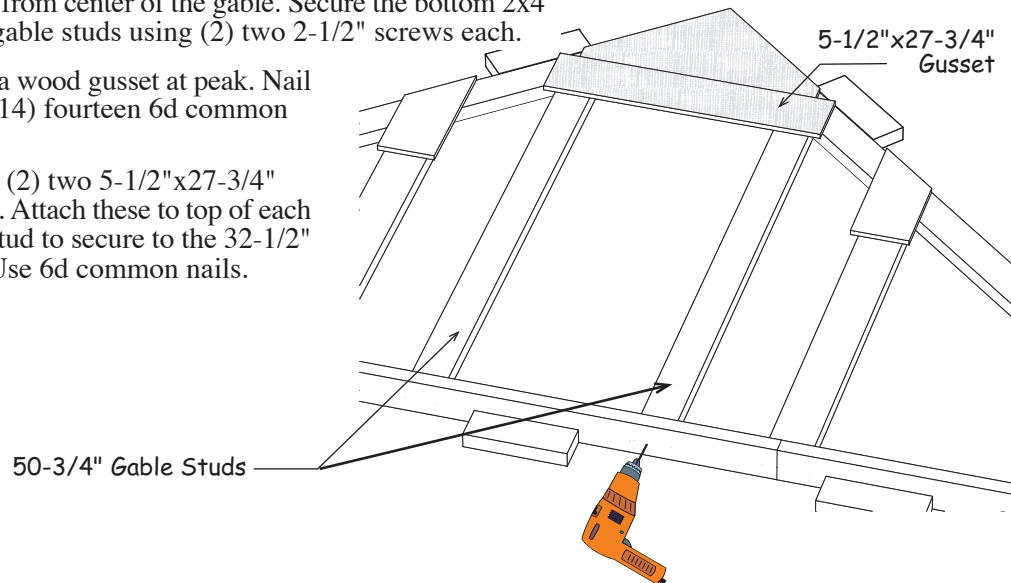
Step 12A Assemble Gables

1. Gather pre-built gable end frames, (1) one left and (1) right, (1) one 49-1/2" long 2x4 and (2) two 32-1/2" long 2x4s with angled ends.
2. Position these components together as shown below. When aligned correctly the bottom 2x4s will be straight and measure 12'-0" from end to end. *Pre-built gable ends highlighted in gray.*
3. Temporarily tack 1x4 blocks to loft flooring around the frame members. These blocks will be 8"-12" long and may have angled ends. Make sure (2) two of these blocks are positioned inside each pre-built gable end frame as shown. Position the rest of the blocks appropriately spaced to hold 2x4s in place. These will insure that all trusses and gables are built exactly the same. **DO NOT** nail blocks to gable.
4. Secure the bottom 2x4 to the gable stud using (2) two 2-1/2" screws.
5. Locate (2) two 5-3/4"x14" OSB gussets. Attach these to top of each gable stud to secure frame to 32-1/2" 2x4s. Use 6d common nails. See Detail 'A'.



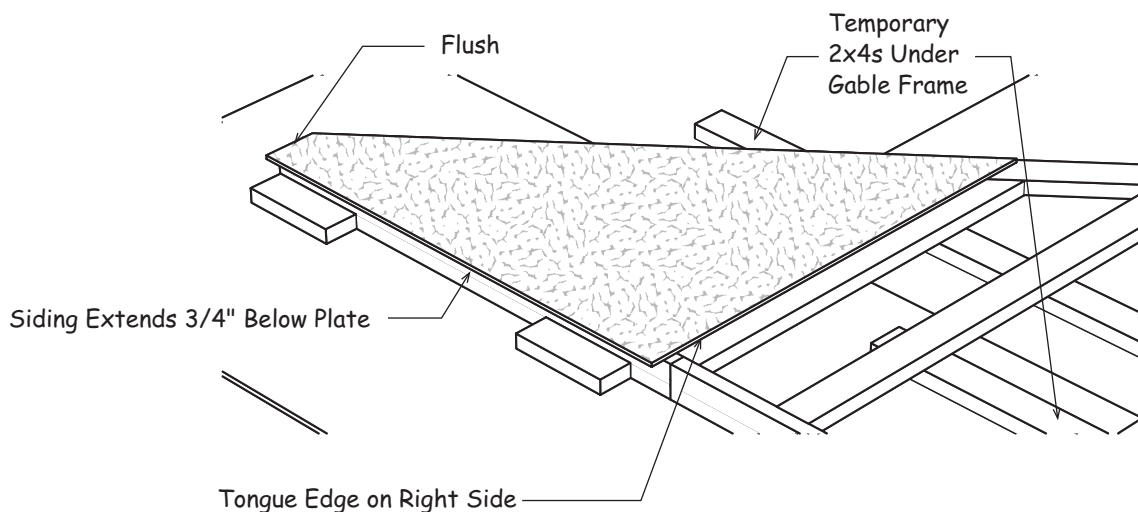
Step 12B Assemble Gables Continued

5. Locate (2) two 50-3/4" long 2x4s. Install these equally spaced from center of the gable. Secure the bottom 2x4 to the gable studs using (2) two 2-1/2" screws each.
6. Install a wood gusset at peak. Nail using (14) fourteen 6d common nails.
7. Locate (2) two 5-1/2"x27-3/4" gussets. Attach these to top of each gable stud to secure to the 32-1/2" 2x4s. Use 6d common nails.



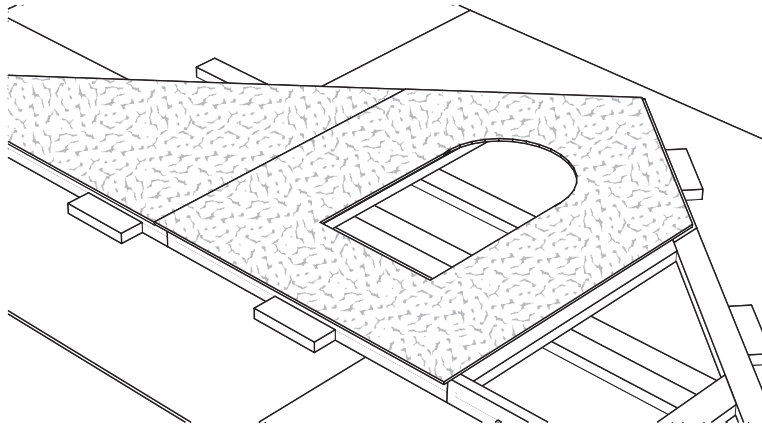
Step 13A Install Front Gable Siding

1. Carefully turn the gable frame over. Temporarily place 2x4s under the gable frame to keep the frame level while installing the gable siding.
2. Locate pre-cut gable siding. Working left to right install a siding panel with a 'tongue' edge along right side. Install flush with end of frame and extending 3/4" below the bottom 2x4 plate. Use 6d galv. nails spaced 8" apart.



Step 13B Install Gable Siding continued

3. Install center siding panel. Locate sunburst window, *packed in dormer carton*, and cut out siding according to window instructions. It is advisable to install the window after gable is set.

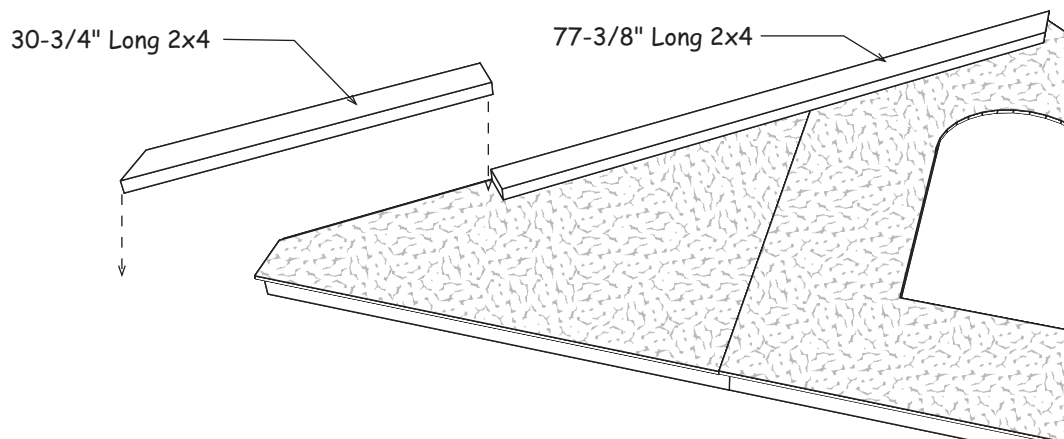


4. Install last siding panel.


Step 14 Install Gable Overhang

1. Locate (2) two 77-3/8" long 2x4 rafters on gable. Install 2x4s flush with the top of gable frame. Use 10d sinkers.
2. Locate (2) two 30-1/4" long 2x4 rafters and install to finish. 2x4s will extend beyond end of gable.

Do not remove the temporary 1x4 blocks until the roof trusses and back gable are assembled.

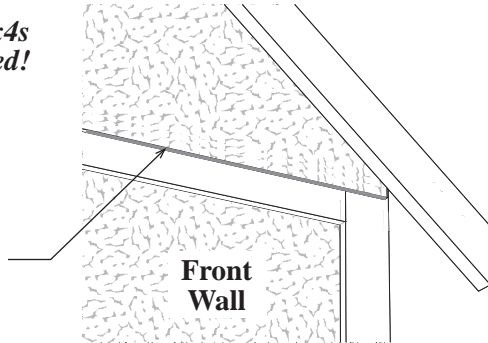


Step 15 Set Front Gable

 **Important: Temporarily brace the gables with 2x4s to secure gables until the roof sheathing is installed!**

1. Install gable on the front wall. Secure bottom of gable to loft floor and OSB fillers using 10d sinkers.
2. Nail the bottom edge of the siding into the 1x4 trim. Use 6d galv. nails.

Bottom edge of gable siding extends over 1x4 trim

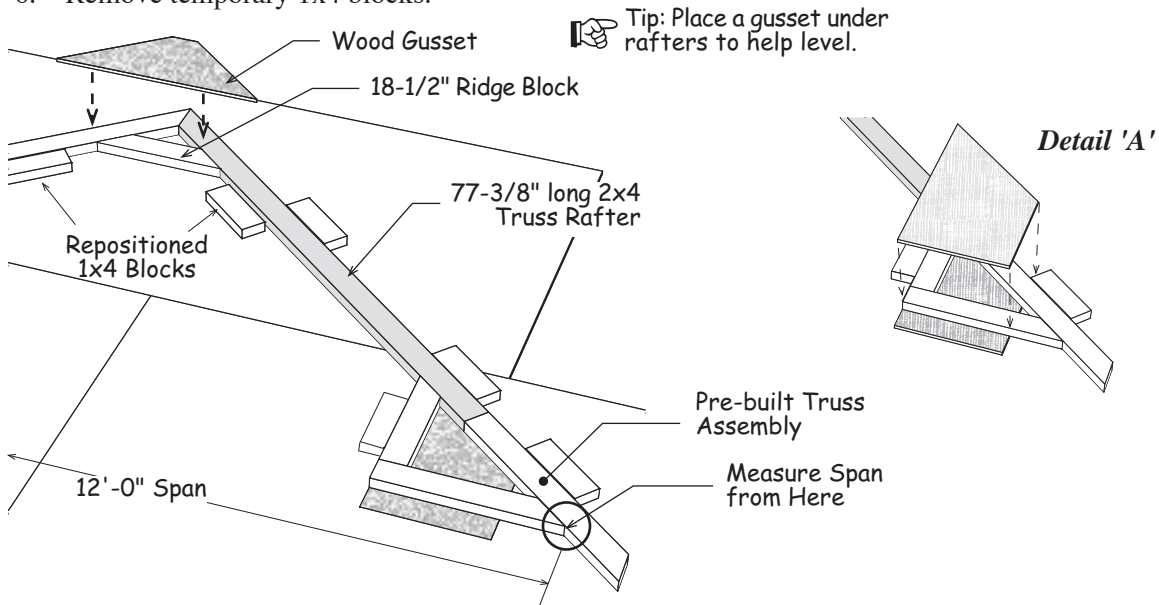


Step 16 Assemble Rear Gable

Repeat Steps 12 through 15 to assemble and set rear gable.

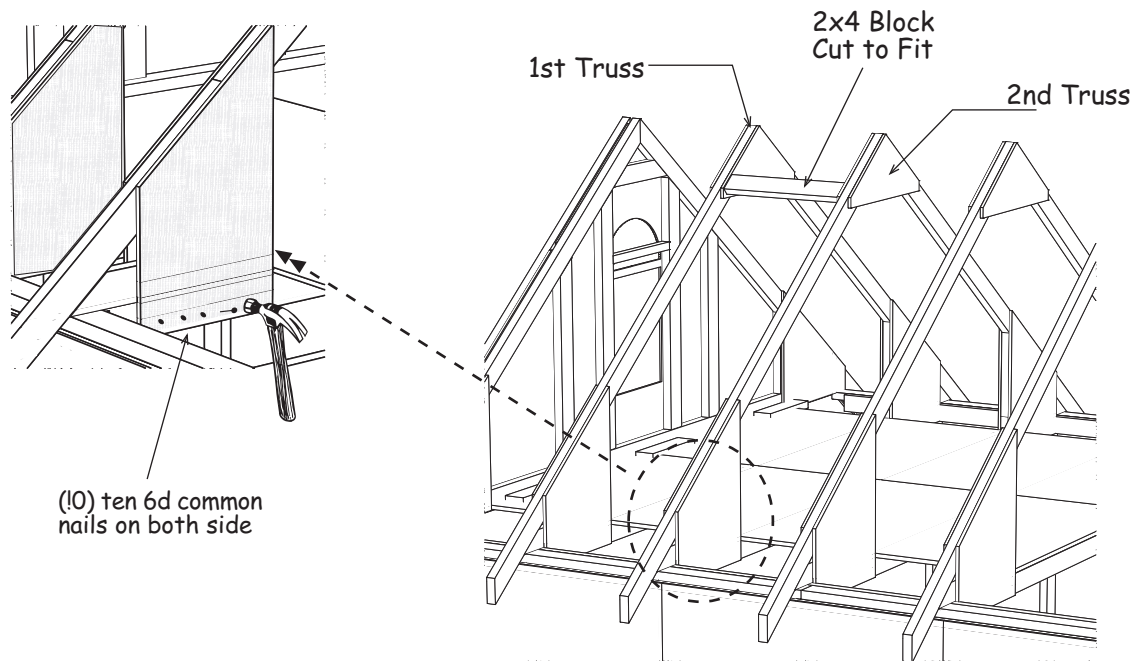
Step 17 Assemble Roof Trusses

1. Insert left and right pre-built truss ends into the blocks that held the gable frames in place. Insure span is 12'-0" between truss ends as indicated in drawing below.
2. Butt (2) two 77-3/8" long 2x4s against the truss ends. Remove the 1x4 blocks that secured the bottom gable plate and reposition to keep rafters aligned. Locate a 18-1/2" long 2x4 ridge block with angled ends and install at peak. Secure rafters and ridge block at peak with a wood gusset. Install with (14) fourteen 6d common nails.
3. Install gussets on truss ends. See Detail A. Install with (20) twenty 6d common nails.
4. Carefully flip truss over and install another gusset at the peak.
5. Set truss aside. Repeat steps to build (6) six more trusses.
6. Remove temporary 1x4 blocks.



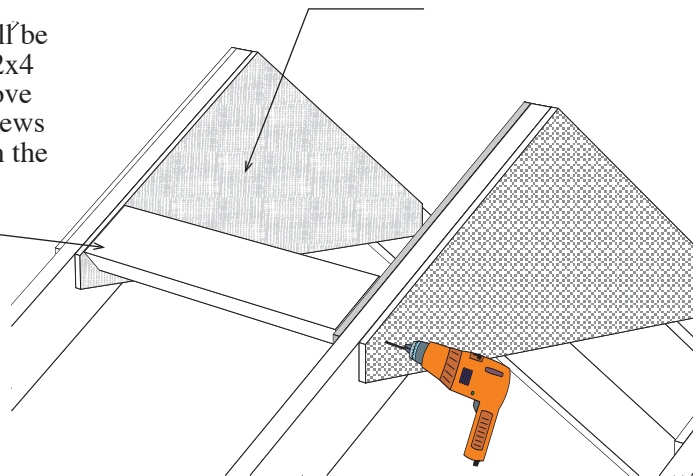
Step 18A Set Trusses

1. Starting at back gable set a truss by sliding ends over 2x4 floor joist. Truss ends should set flat atop floor joist. Secure with (10) ten 6d common nails on both sides.
2. Continue standing trusses to front of building. Make sure trusses and gables are plumb. If necessary span a 2x4 across tops and tack to keep plumb until roof sheathing is installed.



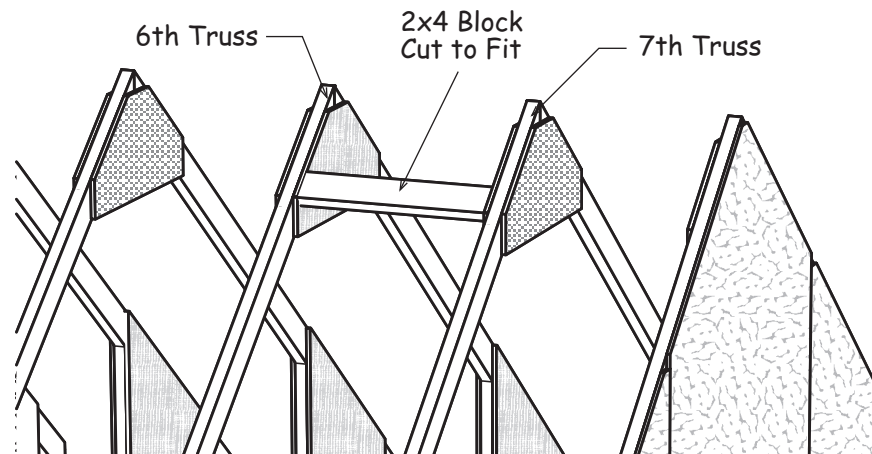
3. Locate the 2x4 that was cut and removed from the door opening on the 12' end wall. Measure and cut to length a 2x4 to fit between the gussets on the 1st and 2nd trusses.
4. Determine the side of roof you will be installing dormers on. Install cut 2x4 between trusses as shown, see above drawing. Use (2) two 4" wood screws on each end. Screws are packed in the dormer kit.

Install 2x4 at end of gusset




Step 18B Set Trusses continued

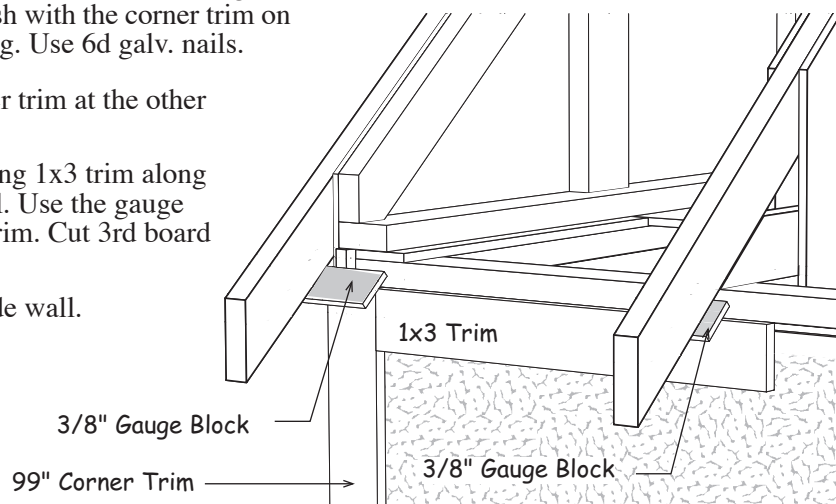
4. Cut to length and install another 2x4 between the truss gussets where shown below.



Step 19 Install Side Wall Trim

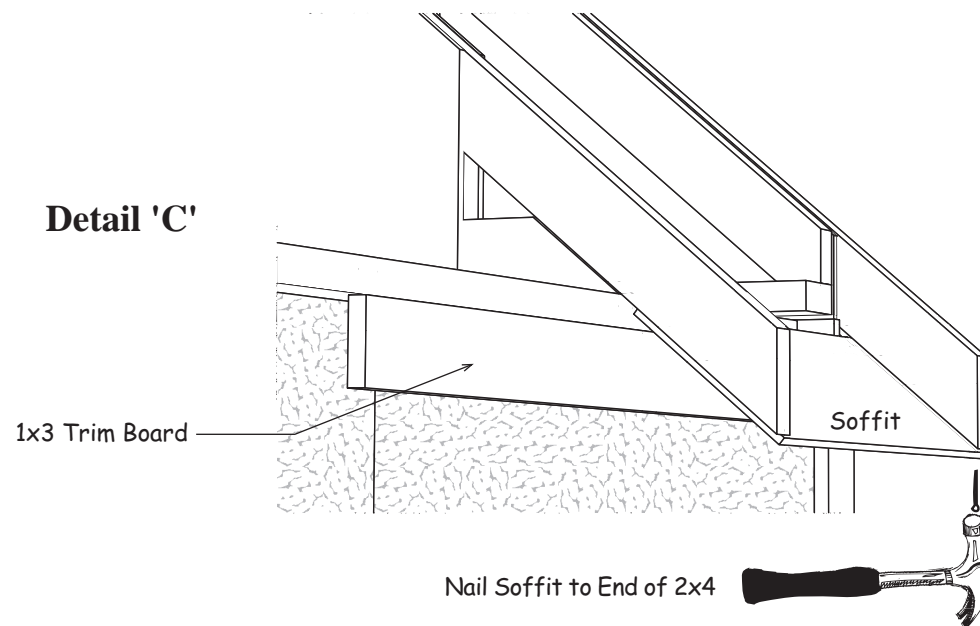
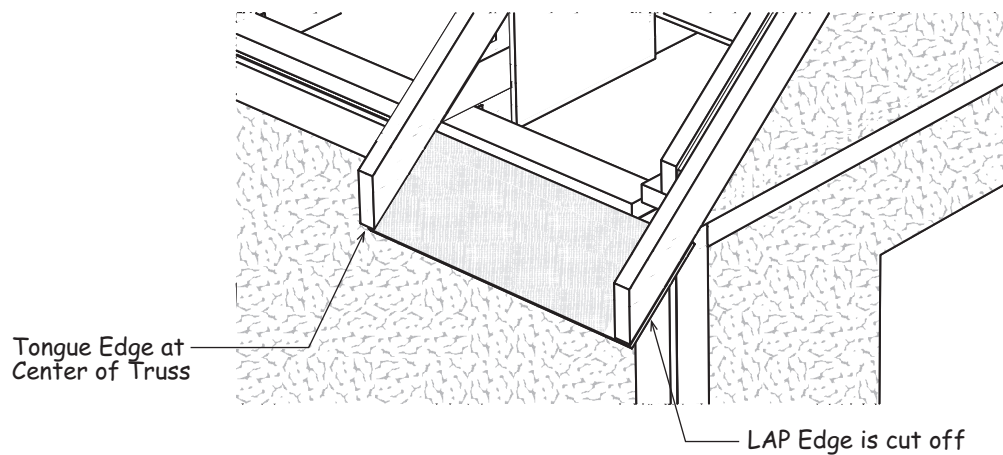
 *It's easier to install the soffit if the corner and side wall trim are installed first. This enables the soffit to rest on the trim where it meets the building. See lower detail.*

1. Locate a 3/8" x 3" x 8" siding gauge block packed in the hardware bag. Place this gauge block under the 2x4 overhang and butt a 99" long 1x4 corner trim board against it. Cut trim board to length and install the trim flush with the corner trim on the back of the building. Use 6d galv. nails.
2. Repeat to install corner trim at the other three corners.
3. Install (3) three 72" long 1x3 trim along the top of the side wall. Use the gauge block to properly set trim. Cut 3rd board to fit.
4. Repeat on opposite side wall.



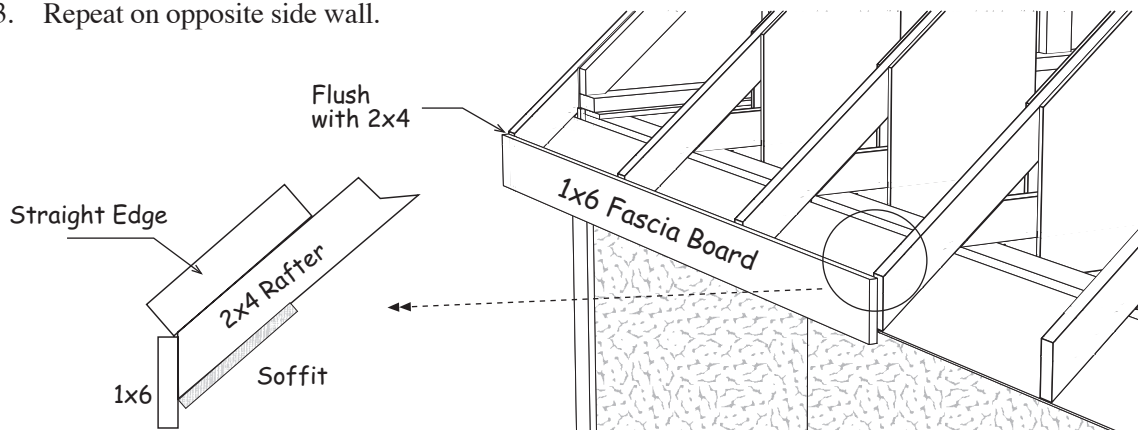
Step 20 Install Soffit

1. Locate a 9-3/4" x 48" soffit panel. Measure from center of first truss to face of the 2x4 installed on the front gable. Mark this length from tongue edge side cut off 'LAP' edge end of panel.
2. Nail the soffit panel to the end of the 2x4s. See **Detail 'C'** below.
3. Install (4) four 9-3/4" x 48" soffit panels along the side of the building cutting the last soffit panel flush with the 2x4 on the rear gable.
4. Repeat to install soffit panels on the opposite side wall.



Step 21 Install 1x6 Fascia on Side Walls

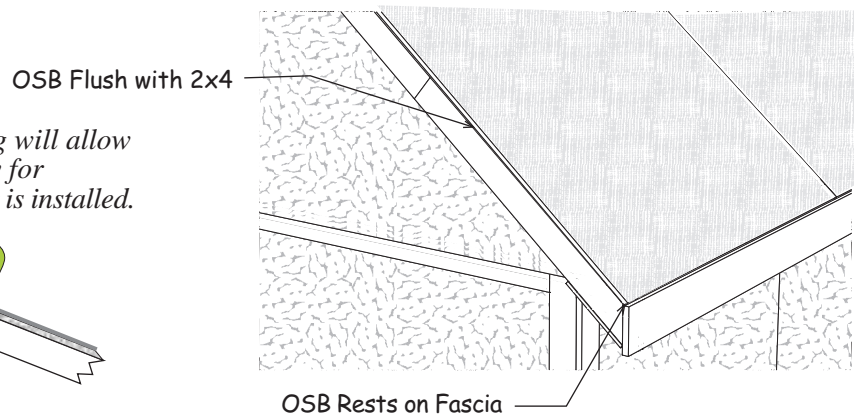
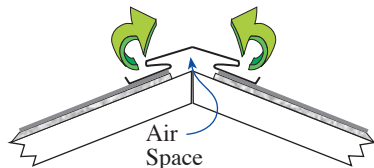
1. Starting at the back gable, install a 75" long 1x6 trim board flush with the face of the 2x4 on gable. Install the 1x6 board so the top of the board is aligned with the top of the trusses. The roof sheathing, *installed later*, should rest on the fascia. Use a straight edge as shown below. Use 6d galv. nails.
2. Install (2) two 1x6-6' trim boards next. Cut the last trim board flush with 2x4 on front gable.
3. Repeat on opposite side wall.



Step 22A Install Roof Sheathing

1. Locate (2) 48"x 96" sheets of OSB. Cut from these (2) two 48"x 51" sheets. From drops cut (2) two 48"x 27" sheets.
2. Before installing roof sheathing make sure the trusses and gables are plumb. Starting at the rear gable install sheathing per the layout on the next page. Secure sheathing with 6d common nails. Space nails 12" apart.

The top row of sheathing will allow a gap at the top to allow for ventilation if a ridge vent is installed.

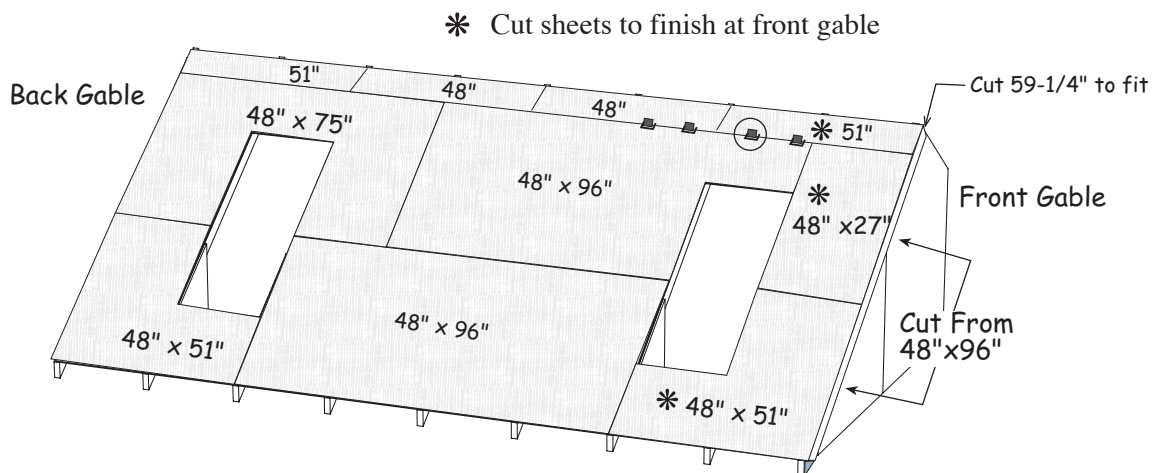
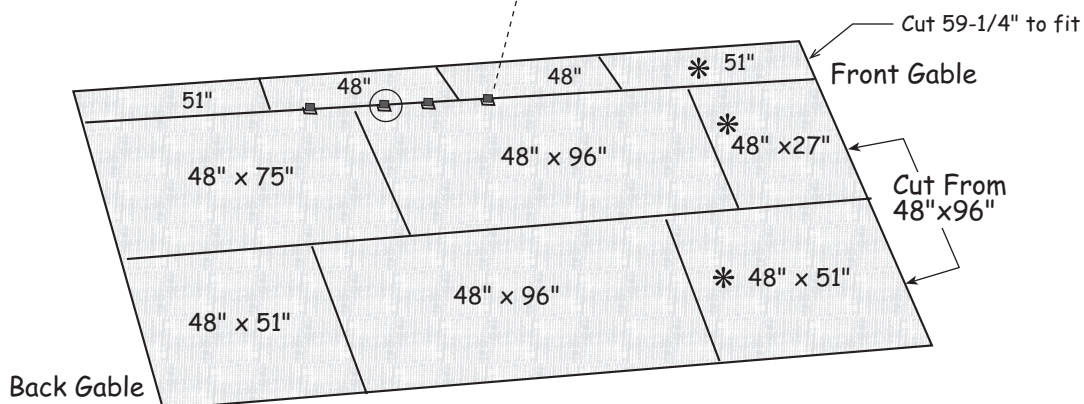
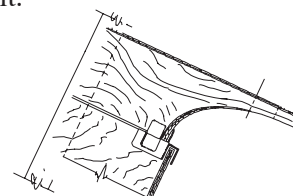


Step 22B Install Rear Roof Sheathing continued

- When installing sheets at front gable cut flush with the 2x4s on the gable.
- Insert (2) two ply-clips into the roof sheathing between each truss at the top row, see drawing below.
- Cut a 59-1/4" piece on top row so to be flush with front gable 2x4s.
- Determine location for dormers and follow instructions in dormer kit.



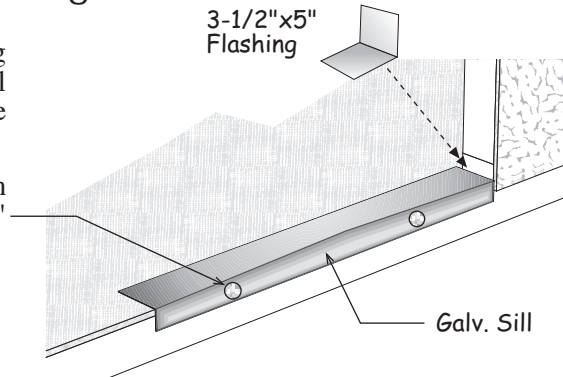
Insert (2) two ply-clips into the roof sheathing between each truss at the top row



Refer to instruction in the dormer kit for installing the roof dormers.

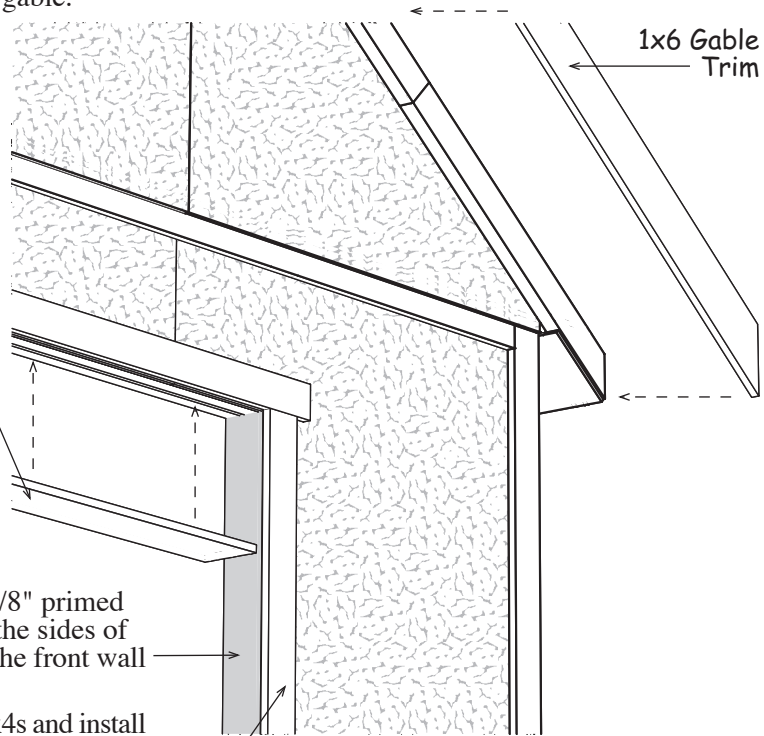
Step 23 Install Door Flashing

1. Locate (2) two 3-1/2" x 5" metal flashing and bend along width to 90 degrees. Install at each corner of the door opening. These will be covered in the next steps.
2. Install the galv. door sill over flashing in the center of the door opening. Use 1-1/4" pan head screws along the front edge.



Step 24 Install Front Gable Trim and Door Trim

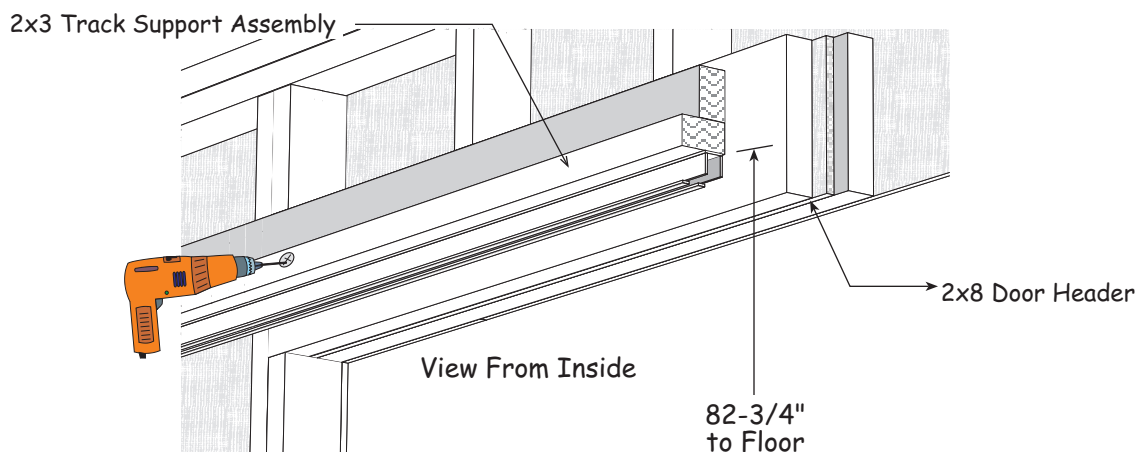
1. On front gable install (2) two 1x6 trim boards over the 2x4 boards, flush with the top of the OSB roof sheathing. Use 6d galv. nails.
2. Install gable trim on the rear gable.



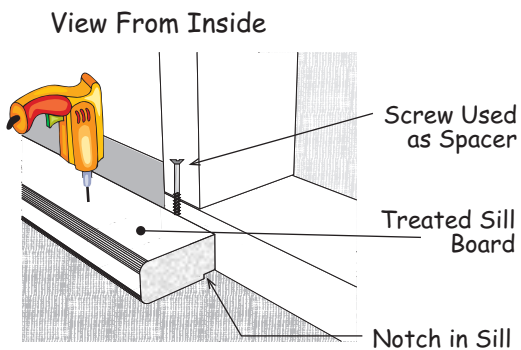
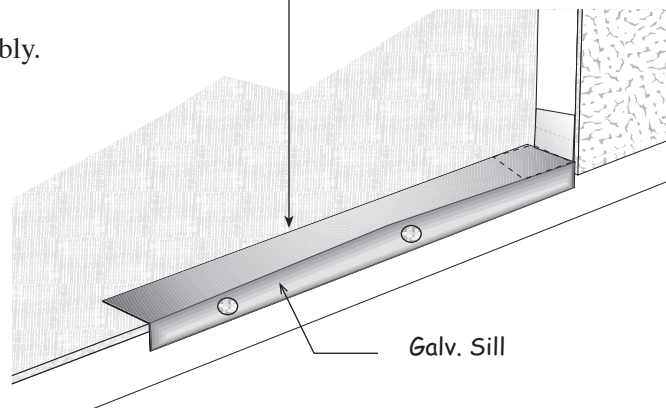
3. Install a 3-7/8" x 72" primed jamb material on the top of the door opening, flush with the front wall siding. Use 6d galv. nails.
4. Locate (2) two 3-7/8" x 79-5/8" primed jamb material and install on the sides of the door opening, flush with the front wall siding.
5. Locate (2) two 80-3/4" long 1x4s and install flush with door jamb and top of door opening.
6. Install an 81-3/4" long 1x4 trim board, *this board has angle cuts on both ends*, centered across the top of the door opening.

Step 25 Install Pocket Doors Track


1. Install a 72" long Track Support Assembly 82-3/4" from the floor. **Important:** measure from the bottom of the 2x3 on the support assembly to the floor. Insure the notched end of track is center of door opening. Use 2-1/2" screws.



2. Install the other track support assembly.



5. Install the treated door sill behind the door opening. There needs to be a space between the treated sill and the inside wall. To position the sill, insert a 2-1/2" screw between the treated sill and the inside wall as a spacer. Screw the sill to the floor with (6) six 2-1/2" long screws. Remove the screw used as a spacer.

 *Building Tip; run a bead of caulking where flashing, treated sill and aluminum sill meet to prevent moisture from penetrating.*

Step 26A Install Doors

1. Select the door with the siding and trim board extending past the 2x4 frame, *see detail below*. Standing on the inside of building slide the rollers on the left side track as shown below.

If it is necessary to adjust the door height one or both door carriers can be adjusted. Loosen screws that secure carrier(s) to the door. Adjust door so the aluminum angle, on the bottom of the door, does not rub on the treated threshold. Tighten the screws.

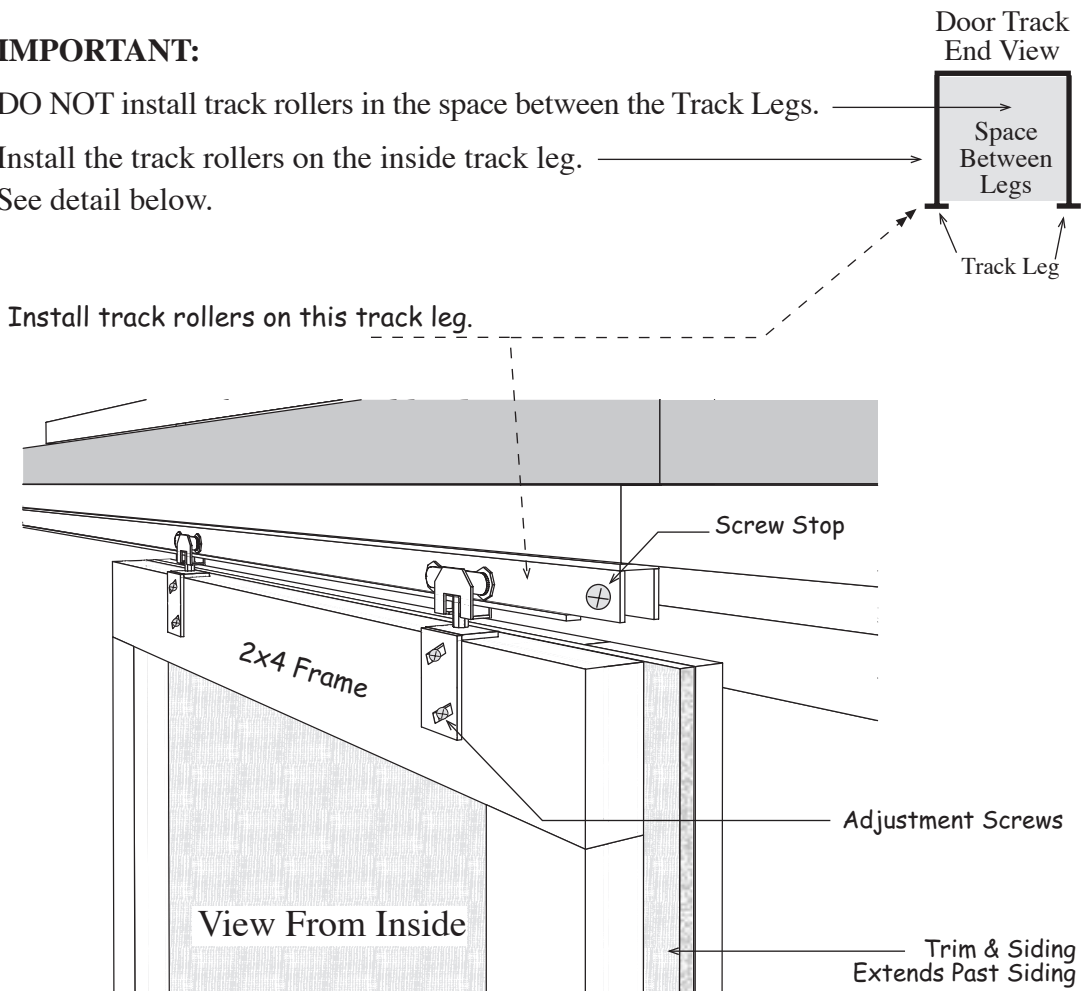
Tip: Inserting a screw, *shown below*, will prevent the doors from falling through the opening between the track, if the door is opened too far.

IMPORTANT:

DO NOT install track rollers in the space between the Track Legs.

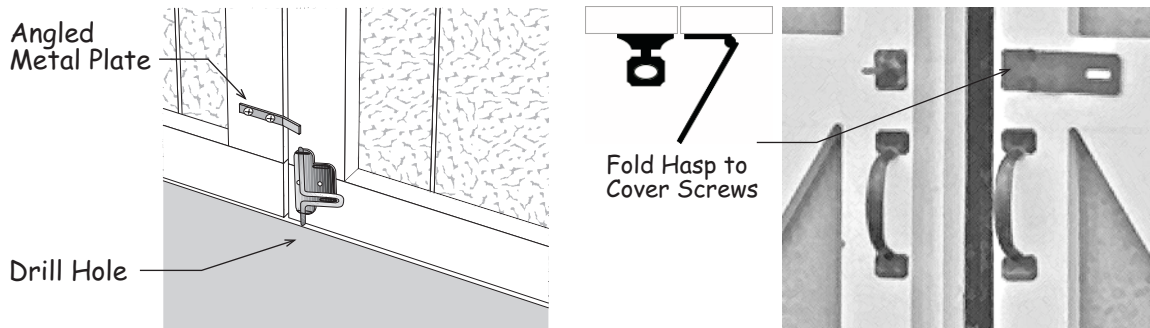
Install the track rollers on the inside track leg.

See detail below.

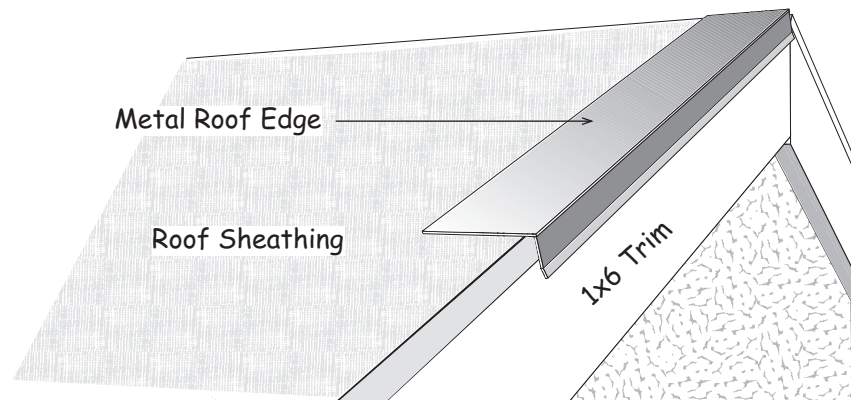


Step 26B Install Doors continued

2. Hang the other door. From the inside of building close both doors. On the right door, install a sliding door latch at the bottom of 2x4 frame. You will need to drill a hole in the floor for the round shaft to drop into.
3. Install a metal plate to the lower back of other door. The angled end will keep both doors aligned when closed.
4. From the outside install the door handles and locking door hasp on the outside of the doors.



Install Roofing — Not Supplied in Kit



1. Install metal roof edging along the end walls and the front edge of the roof sheathing.
2. Install felt paper and shingles according to manufacture's instructions.

<i>Optional Roof Covering</i>		
12	bdl.	Roof Shingles
8	pcs.	Roof 'drip' Edge-10'

Material List for Wood Pocket Doors	
2	36" x 79" Wood Doors w/ Primed Siding
2	Boards w/ Alum. Track Attached
1	Treated Wood Threshold
1	Galvanized Door Sill
1	Door Trim 1x4 81-3/4"
2	Door Trim 1x4 80"
1	Door Jamb 3-7/8" x 72"
2	Door Jamb 3-7/8" x 79 - 1/4"
4	Track Rollers with Brackets
1	Swivel Door Latch
2	Door Handles
1	Sliding Latch
1	Flat Steel Bar Door Guild
2	3" x 5" Galv Flashing
4	1-1/4" Pan Head Screws for Door Sill
16	2-1/2" Wood Screws / square bit

<i>Material Supplied by Local Supplier</i>	
39 pcs.	2x4 Pre-cut Wall Studs
13 pcs.	2x4 - 12' Wall & Tie Plates
6 pcs.	2x4 - 16' Wall & Tie Plates
2 pcs.	2x8 - 8' Door Header
13 pcs.	Exterior Siding 4x8
9 pcs.	OSB Sheathing 4x8
1 pc.	9-Lite Exterior Door
1 pc.	Lock Set

Qty.	<i>Material Packaged on Pallet</i>		
20	Truss Rafters	2x4	77-3/8"
	2 Not used in this model		
7	Ridge Block	2x4	18-1/2"
6	Gable Overhang	2x4	30-3/4"
	2 Not used in this model		
4	Gable Rafters	2x4	32-3/8"
2	Gable Plates	2x4	49-1/2"
4	Gable Studs	2x4	50-3/4"
6	Trim	1x3	72"
4	Trim	1x4	72"
2	Trim	1x6	75"
4	Trim	1x6	72"
2	Pre-built Gable Frames - lefthand		
2	Pre-built Gable Frames - righthand		
7	Pre-built Truss Ends - lefthand		
7	Pre-built Truss Ends - righthand		
2	Pre-cut 46" High Gable Siding - tongue edge		
2	Pre-cut 46" High Gable Siding - lap edge		
2	Pre-cut 66" High Gable Siding - center		
2	Pre-cut Siding 20" x 48-3/4"		
	1 Not used in this model		

Qty.	<i>Material Shipped in Trim Carton</i>		
4	ea.	1x3 x 99" Corner Trim	
4	ea.	1x4 x 99" Corner Trim	
4	ea.	1x6" x 104" Gable Trim	

Qty.	<i>Material Packaged on Pallet</i>		
1	7/16"	48" x 24" OSB Sheathing	
2	7/16"	48" x 51" OSB Sheathing	
1	7/16"	48" x 48" OSB Sheathing	
2	7/16"	48" x 75" OSB Sheathing	
4	7/16"	9-3/4" x 48" OSB Sheathing	
2	7/16"	9-3/4" x 51" OSB Sheathing	
2	7/16"	9-3/4" x 59-1/4" OSB Sheathing	
4	7/16"	3-1/2" x 24" OSB Sheathing	
2	7/16"	7-1/4" x 48" OSB Header Fillers	
14	3/8"	Soffit Boards 9-3/4" x 48-3/4"	
	4 Not used in this model		
6	3/8"	Filler Boards	2" x 48-3/4"
4	lbs.	10d	Sinkers
5	lbs.	6d	Galv. Nails
7	lbs.	6d	Common
1	lb.	1-1/2"	Hanger Nails
25	2-1/2"	Wood Screws	
14	2x4	Joist Hangers	
50	Plyclips for Roof Sheathing		
1	8 oz.	Bottle Wood Glue	
14	Wood Gussets	15-3/4" x 27-1/2"	
16	Wood Gussets	24" x 11"	
4	Wood Gussets	5-3/4" x 14"	
2	Wood Gussets	5-1/2" x 27-3/4"	
12	1x4	Jig Blocks 18"-10" long approx.	
2	3/8"	Gauge Blocks 3" x 8"	