

16913



# STOP

# DO NOT RETURN TO THE STORE!

If you discover missing or damaged parts, or if you have questions about the building process, please reach out to us directly for the fastest service.

## 24/7 Support

[help.backyardproducts.com](http://help.backyardproducts.com)



- Answers to frequently asked questions
- Technical assistance and how-to videos
- Submit a help request
- Request replacement parts

## Business Hours

(734) 242-6900

Monday - Friday ..... 8:00am - 6:00pm EST  
Saturday - Sunday ..... Closed



Did you enjoy building your shed?

# JOIN OUR TEAM

AND MAKE UP TO \$1,500/WEEK\*

**Call a Recruiter Today! 734-365-7000**



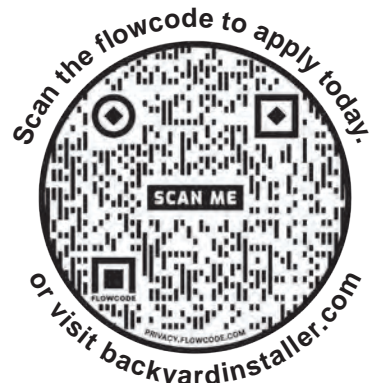
Flexible schedule



No selling, just building



Bonus incentives available



\*based on number of completed installations



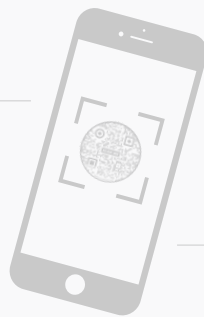
# Win \$500

A new winner is selected every 2 months.

Review your product for the chance to win a **\$500 Visa Gift Card**.



## How to Enter:



Open camera.  
Aim. Tap.



**1**

**Scan**  
QR code above.

**2**

**Click**  
'write a review'

**3**

**Find your product.**  
Tell us what you think.

**4**

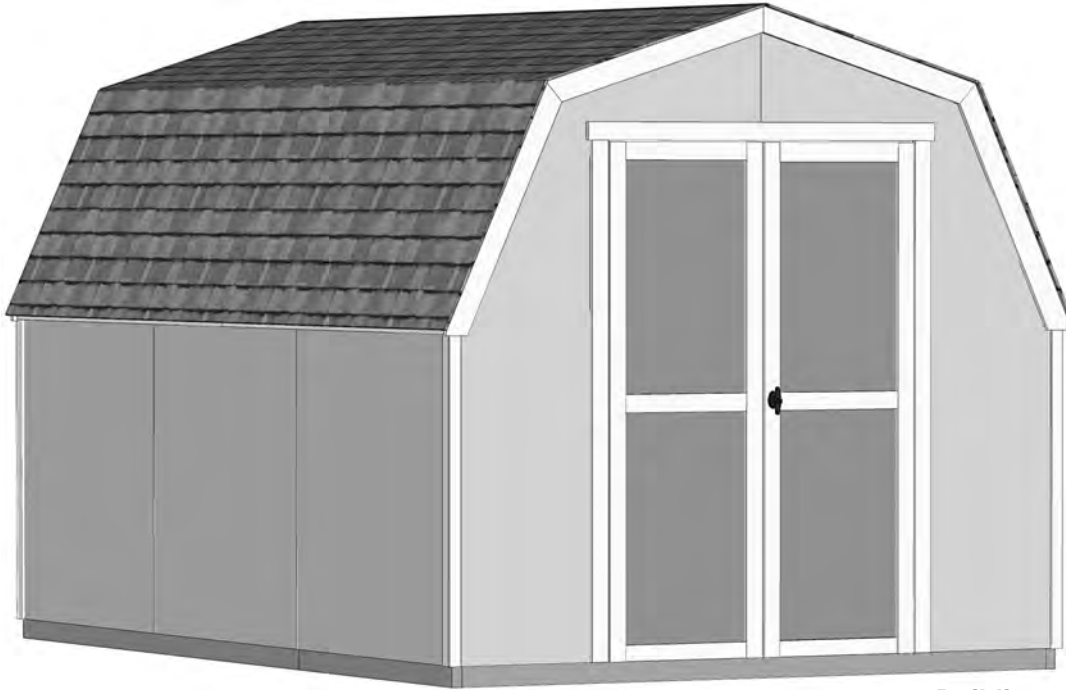
**Submit your review.**  
You'll be notified by e-mail if  
you've won the \$500 gift card.

Write a Backyard Products, LLC. product review at [backyardreviews.net](https://backyardreviews.net) for a chance to win a \$500 Visa gift card. No purchase necessary to enter. Must be legal U.S. resident (including DC & Puerto Rico), 18 or older to participate. Taxes on prize are responsibility of winner. Odds of winning depend on the number of eligible reviews received. Void where prohibited. For complete details and official rules, visit <https://backyardreviews.net/sweepstakes-rules>.

## GAMBREL 8' x 12'

Includes 8' x 12' Building and Floor Instructions

KEEP THIS MANUAL FOR FUTURE REFERENCE



Building 8' x 12'

**! IMPORTANT! !**

READ INSTRUCTIONS THOROUGHLY PRIOR TO BEGINNING ASSEMBLY.

### **BEFORE YOU BEGIN**

#### • BUILDING RESTRICTIONS AND APPROVALS

Be sure to check local building department and homeowners association for specific restrictions and/ or requirements before building.

#### • ENGINEERED DRAWINGS

Contact our Customer Service Team if engineered drawings are needed to pull local permits.

#### • SURFACE PREPARATION

To ensure proper assembly you must build your shed on a level surface.

Recommended methods and materials to level your shed are listed on page 7.

#### • CHECK ALL PARTS

Inventory all parts listed on pages 3-5.

#### • ADDITIONAL MATERIALS

You will need additional materials to complete your shed. See page 6 for required and optional materials and quantities.



**\*\*\*CONTACT OUR CUSTOMER SERVICE TEAM  
IF ANY PARTS ARE MISSING OR DAMAGED\*\*\***




**- Order form and warranty at back of manual -**

**Call: 1-734-242-6900 email: [customerservice@backyardproducts.com](mailto:customerservice@backyardproducts.com)**

# TOOLS

## Required


Phillips Screwdriver 

Drill / Driver 

- 5/16" Drill Bit
- 1/8" Drill Bit
- #2 Philips Drive Bit

Level 


Pencil 


Tape Measure 

Square  or 

Utility Knife 

Shingle Blades 

Caulk Gun 

Paint Tools 


Safety Glasses 


Ladder 

## Optional

Tool Belt/ Nail Pouch 


Tin Snips (for drip edge) 

Chalk Line 

Nail Gun 

• gun nails

Gloves 

Hammer 

Safety! Always use approved safety glasses during assembly.

## HELPFUL REMINDER SYMBOLS

Look for these symbols for helpful reminders throughout this manual.



= Assistance Required; two or more people.



= Ensure squareness.



= Important required step or operation.



= Helpful assembly hint.



= Mark part with pencil.



**BEGIN** = Beginning of steps for assembly or installation.



**FINISH** = You have finished the assembly or installation.

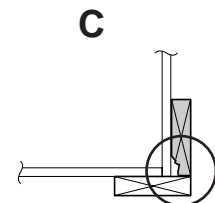
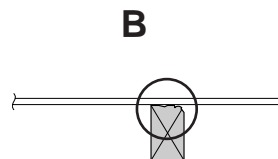
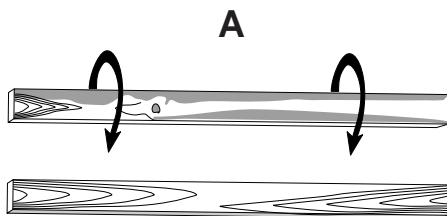


= Level

## ORIENT LUMBER AND TRIM FOR BEST APPEARANCE

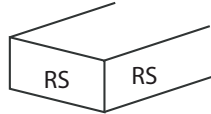
Framing lumber is graded for structural strength and not appearance. Exterior trim is graded for one good side.

Always install the material leaving the best edge and best surface visible. Please remember that these blemishes in no way negatively affect the strength or integrity of our product. (See Fig. A, B, C.)



# PARTS IDENTIFICATION AND SIZES

Part identification is stamped on some parts.



• Check these locations for part stamp.

Treated lumber is stamped:

**TREATED**

## WOOD SIZE CONVERSION CHART

Nominal Board Size

Actual Size

2 x 4	.....1-1/2" x 3-1/2" (3,8 x 8,9 cm)
1 x 4	.....3/4" x 3-1/2" (1,9 x 8,9 cm)
2 x 3	.....1-1/2" x 2-1/2" (3,8 x 6,3 cm)
1 x 3	.....3/4" x 2-1/2" (3,8 x 6,3 cm)

## PARTS LIST



INVENTORY YOUR PARTS before you begin.

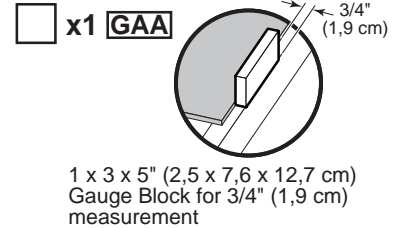
We suggest sorting parts by the category they are listed in

**FLOOR**

- x2 **TREATED** 2 x 4 x 48" (5,1 x 10,2 x 121,9 cm)
- x10 **TREATED** 2 x 4 x 93" (5,1 x 10,2 x 236,2 cm)
- x2 **TREATED** 2 x 4 x 96" (5,1 x 10,2 x 243,8 cm)

**WALLS**

- x1 **DT** 2 x 3 x 11-3/4" (5,1 x 7,6 x 29,8 cm)
- x1 **BSN** 2 x 3 x 35" (5,1 x 7,6 x 88,9 cm)
- x14 **AFE** 2 x 3 x 44" (5,1 x 7,6 x 111,8 cm)
- x3 **NE** 2 x 3 x 45-1/2" (5,1 x 7,6 x 115,6 cm)
- x4 **NK** 2 x 3 x 48" (5,1 x 7,6 x 121,9 cm)
- x1 **EH** 2 x 3 x 51" (5,1 x 7,6 x 129,5 cm)
- x2 **OZ** 2 x 3 x 70-1/4" (5,1 x 7,6 x 178,4 cm)
- x1 **ELC** 2 x 3 x 90-1/8" (5,1 x 7,6 x 228,9 cm)
- x4 **PT** 2 x 3 x 96" (5,1 x 7,6 x 243,8 cm)



**ROOF**

- x12 6" x 24" (15,2 x 61 cm)
- x14 **SUB-ASSEMBLED TRUSS**

**TRIM**

- x2 **ZHR** 2 x 4 x 35-3/4" (2,5 x 10,26 x 90,8 cm)
- x2 **ZHL** 2 x 4 x 35-3/4" (2,5 x 10,26 x 90,8 cm)
- x2 **DBR** 2 x 4 x 36-3/4" (2,5 x 10,26 x 93,3 cm)
- x2 **DBL** 2 x 4 x 36-3/4" (2,5 x 10,26 x 93,3 cm)
- x8 3/8 x 1-3/4 x 45-3/8" (1,0 x 7,6 x 115,3 cm)
- x1 **ZB** 19/32 x 2-1/2 x 55" (1,5 x 6,3 x 139,7 cm)
- x4 3/8 x 1-3/4 x 72-3/8" (1,0 x 7,6 x 186,4 cm)

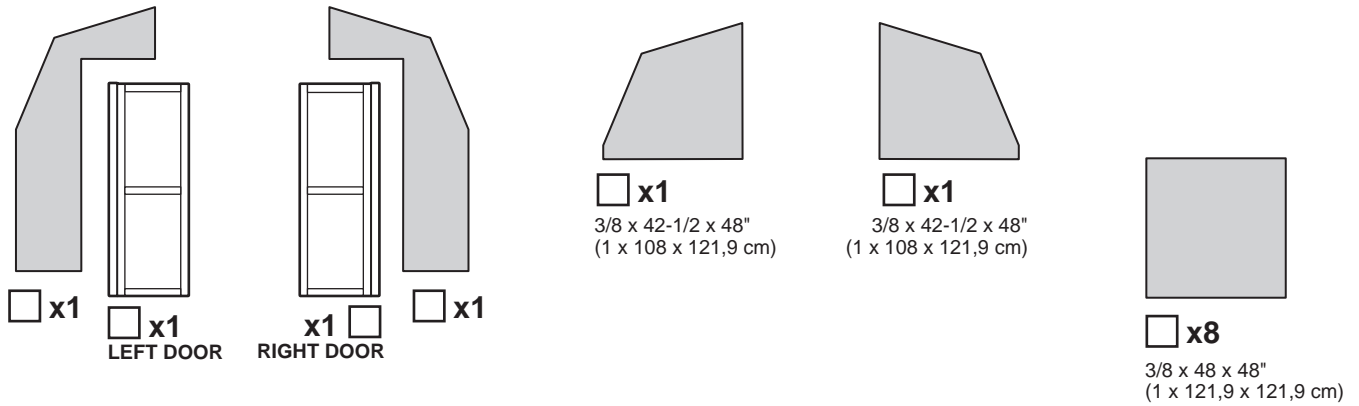
**DOOR**

- x2 **OO** 69" Door Stiffener (175,3 cm)

## WALL PANELS & DOORS

Wall panels are 3/8" (1,0 cm) thick.

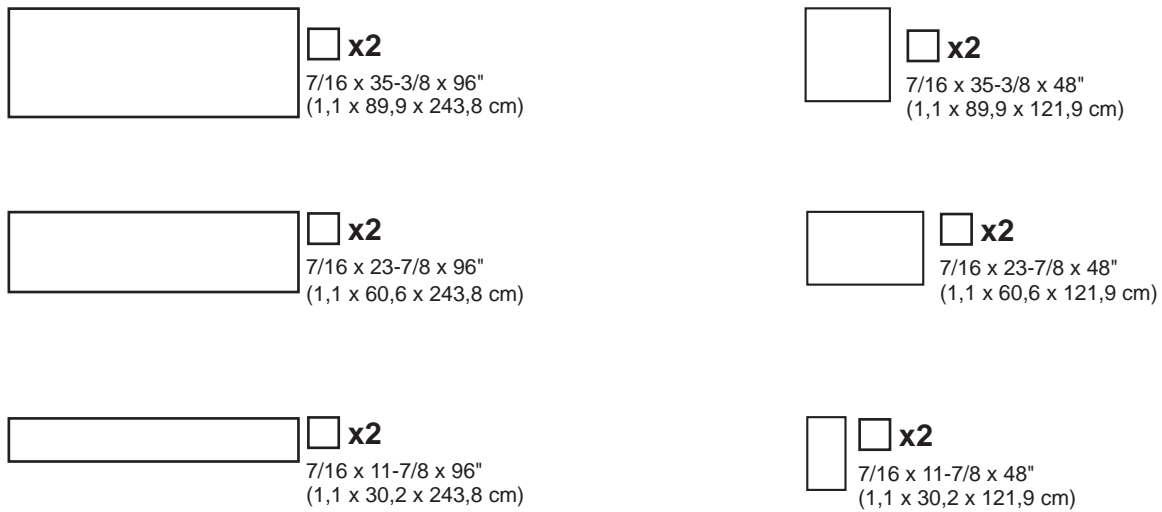
NOTE: Panel parts are not stamped.



## ROOF PANELS

Roof panels are 7/16" (1,1 cm) thick.

NOTE: Panel parts are not stamped.



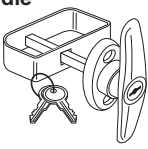
## FLOOR PANELS


Floor panels are 5/8" (1,6 cm) thick.

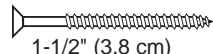


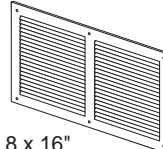
## DOOR HARDWARE


**T & D Handle**

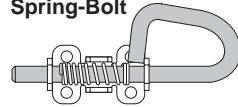
x1 


x1 

x2   
1-1/2" (3,8 cm)  
(2 screws in each package)

x2   
8 x 16"  
(20,3 x 35,6 cm)

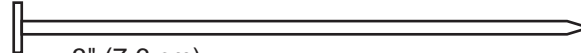
x2   
1/2" (13 mm)

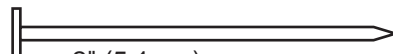
x2   
**Spring-Bolt**

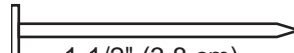
x8   
1" (2,5 cm)  
(4 screws in each package)

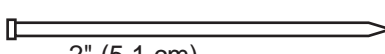
x1   
(8' Z-Channel)

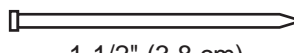
## NAIL BOXES & NAIL BAGS

x3 BOXES   
3" (7,6 cm)


x5 BOXES   
2" (5,1 cm)


x150   
1-1/2" (3,8 cm)


x185   
2" (5,1 cm)


x 4   
1-1/2" (3,8 cm)

## FASTENER/HARDWARE BAG

x70   
3" (7,6 cm)

x22   
2" (5,0 cm)

x2   
1-1/4" (3,2 cm)

x44   
3/4" (1,9 cm)

## NOTES

## ADDITIONAL MATERIALS

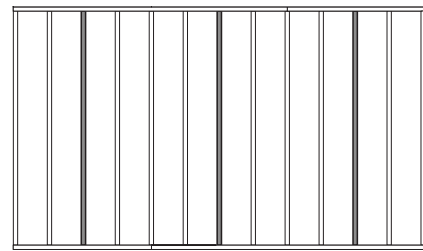
### FOUNDATION OR FLOOR MATERIALS

- This shed kit includes a complete wood floor system.
- This shed kit does not include ANY leveling materials.
- **See the FLOOR LEVELING section on page 7 for recommended methods and suggested materials to properly level your floor, as this will vary depending on your specific site.**
- If you choose to install your kit on a concrete slab refer to page 8.

### REINFORCED WOOD FLOOR FRAME (OPTIONAL)

**IMPORTANT!** Depending on your specific use, you may want to construct a heavy duty floor frame by adding additional floor joists (shown below as shaded). Below is a list of additional materials (not included).

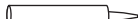
- x3** 2 x 4 x 8' (5,1 x 10,2 x 243,8 cm) Treated Lumber  
Cut lumber to 2 x 4 x 93" (5,1 x 10,2 x 236,2 cm)  
Treated Lumber
- x12** ea. 3" (7,6 cm) hot-dipped galvanized nails



→ | ← Optional 12" (30,5 cm) spacing

### COMPLETING YOUR SHED

You will need these additional materials:

- |  |  |
|--|--|
| <input type="checkbox"/> <b>3-TAB SHINGLES</b> ..... 7 Bundles   | <input type="checkbox"/> <b>1" GALVANIZED ROOFING NAILS....</b> 4 Lbs<br>For shingles.                 |
| <input type="checkbox"/> <b>PAINT FOR SIDING</b> ..... 2 Gallons<br>Use 100% acrylic latex exterior paint. (2) coats recommended.  | <input type="checkbox"/> <b>PAINT FOR TRIM</b> ..... 1 Quart<br>Use 100% acrylic latex exterior paint. |
| <input type="checkbox"/> <b>CAULK</b> ..... 3 Tubes<br>Use acrylic latex exterior caulk that is paintable.  |  |

### OPTIONAL MATERIALS

- |   |  |
|---|--|
| <input type="checkbox"/> <b>DRIP EDGE</b> ..... 60 Feet | <input type="checkbox"/> <b>#15 ROOFING FELT</b><br>To cover 170 Sq. Ft. of roof area.       |
|   | <input type="checkbox"/> <b>1" GALVANIZED ROOFING NAILS.....</b> 1/4 Lb<br>For roofing felt. |

**REFER TO THE BACK OF THIS MANUAL AND THE MANUFACTURER'S INSTRUCTIONS FOR INSTALLATION OF SHINGLES, DRIP EDGE AND FELT.**

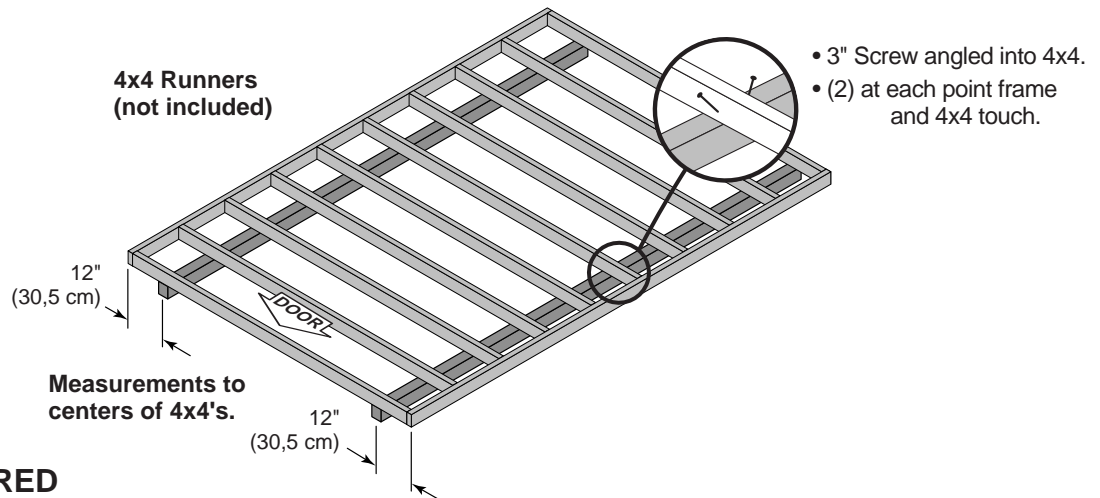


## FLOOR LEVELING OPTIONS

There are multiple ways to level your floor frame. Our recommended leveling method is shown below.

**Leveling materials are not included in this kit.**

### PREFERRED METHOD - 4x4 TREATED RUNNERS



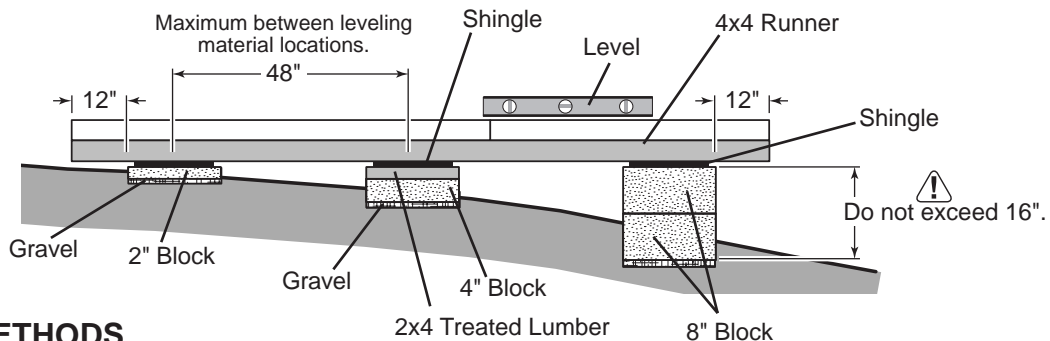
#### MATERIAL REQUIRED

**x2** 4 x 4 x 12' (10,2 x 10,2 x 365,8 cm)  
Treated Lumber

**Fasteners for Frame to 4"x 4".**  
(3" Screws shown as one option.) Minimum (40) 3" screws / exterior grade.

**⚠ Use only wood treated for ground contact and fasteners approved for use with treated wood.**

**⚠ Always support frame seams.**



#### LEVELING METHODS

- Level under 4x4 runners only.
- Locate leveling material 12" from ends of runners and no more than 48" apart.
- Asphalt shingles should be used between 4x4 runners and blocks or treated lumber. Never use shingles in direct contact with ground.
- For best results and aiding in water drainage use gravel under each concrete block.

#### LEVELING MATERIALS

- Gravel
- Solid Masonry Blocks in 1", 2", 4" or 8" thickness
- 2x4 Treated Lumber
- Asphalt Shingles

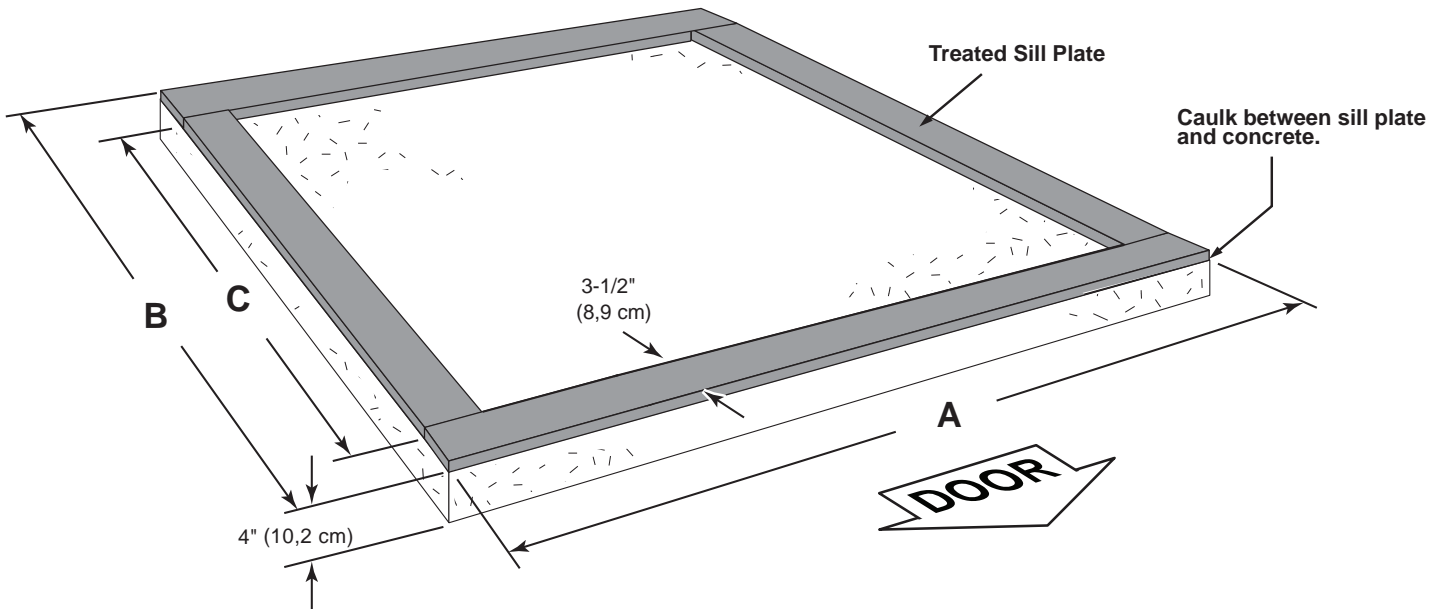
**⚠ Leveling higher than 16" not recommended.**

#### CONCRETE

- If you are building your shed on a concrete foundation see page 7.

## CONCRETE FOUNDATION

If you choose to install your kit on a concrete slab refer to the diagram below.



Building Size	Actual Floor Size	A	B	C
8' x 12' (243,8 x 365,8 cm)	96" x 144" (243,8 x 365,8 cm)	96" (243,8 cm)	144" (365,8 cm)	137" (348 cm)

**ACTUAL FLOOR SIZE IS: 96" x 144" (243,8 x 365,8 cm)**

**Requires:**

- x2** 2" x 4" x 11'-1-5/8" (5,1 x 10,2 x 339,4 cm) **MUST be treated lumber.**
- x2** 2 x 4 x 8' (5,1 x 10,2 x 243,8 cm) **MUST be treated lumber.**
- x1** **Caulk**

Allow new concrete slabs to cure for at least seven (7) days.

- A treated 2 x 4 (5,1 x 10,2 cm) sill plate is required when installing your shed on concrete. **Hint: Use treated lumber in your kit or purchase full length treated lumber.**
- Use a high quality exterior grade caulk beneath all sill plates.
- Fasten 2 x 4 (5,1 x 10,2 cm) sill plates to slab using approved concrete anchors (**fasteners not included**).
- Check local code for concrete foundation requirements.

### NOTES

---

---

---

---

---

---

---

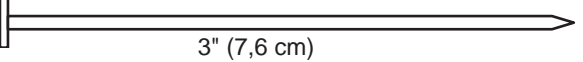
---

# FLOOR FRAME

## PARTS REQUIRED:

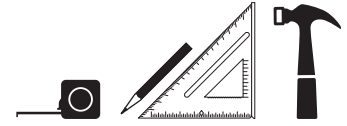
x2 TREATED  
2 x 4 x 48" (5,1 x 10,2 x 121,9 cm)

Look for  
**TREATED**  
Stamp

x44  3" (7,6 cm)

x10 TREATED  
2 x 4 x 93" (5,1 x 10,2 x 236,2 cm)

x2 TREATED  
2 x 4 x 96" (5,1 x 10,2 x 243,8 cm)



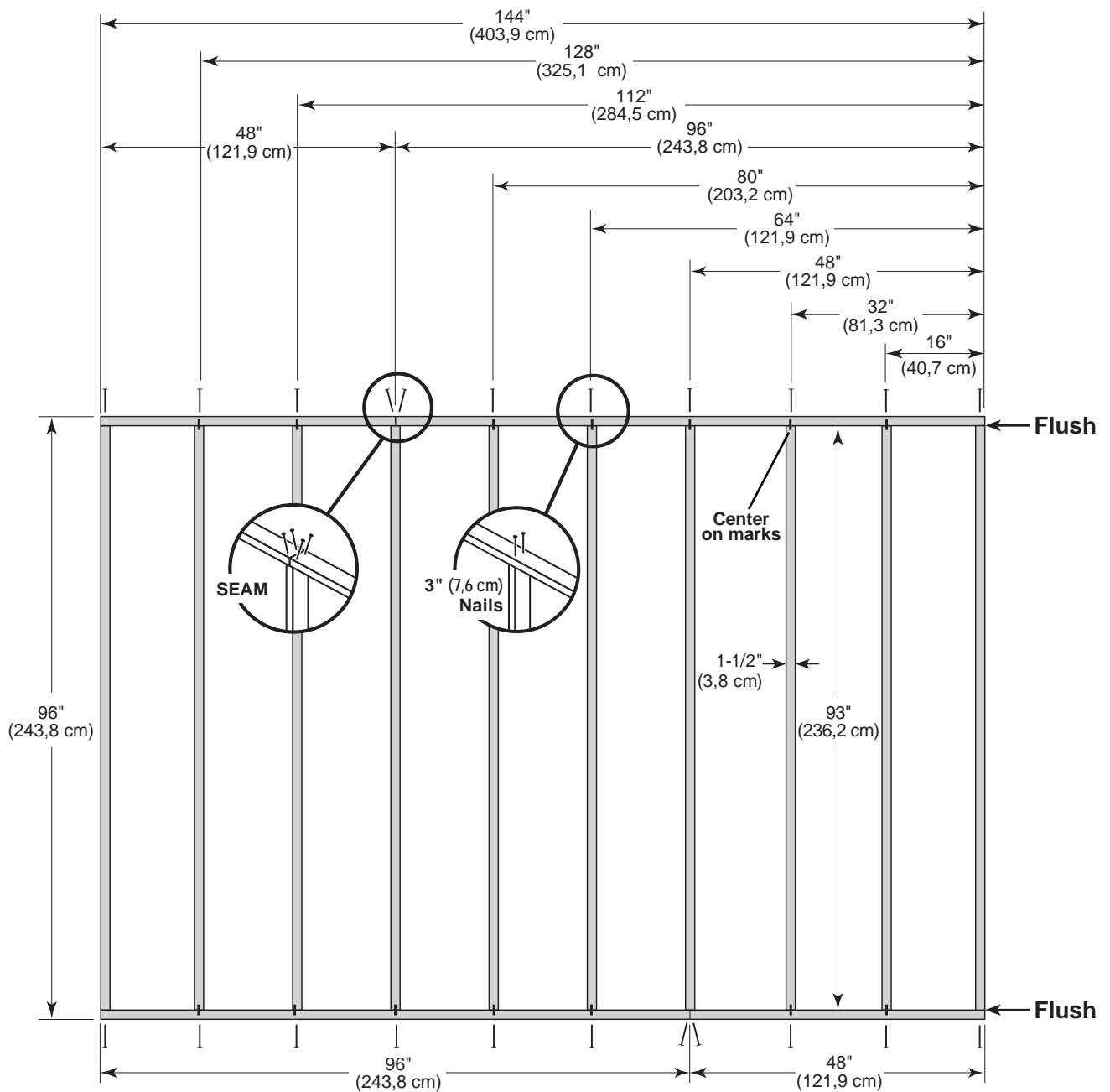
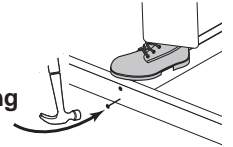
### ✓ BEGIN

1 Arrange parts as shown on a flat surface. Measure and mark.

Secure with (2) 3" nails at each mark.



**HINT:**  
For easier nailing  
stand on frame.



Your floor frame is now assembled. Proceed to level and square frame.

## FLOOR FRAME

**STOP!**



### LEVEL AND SQUARE FLOOR FRAME



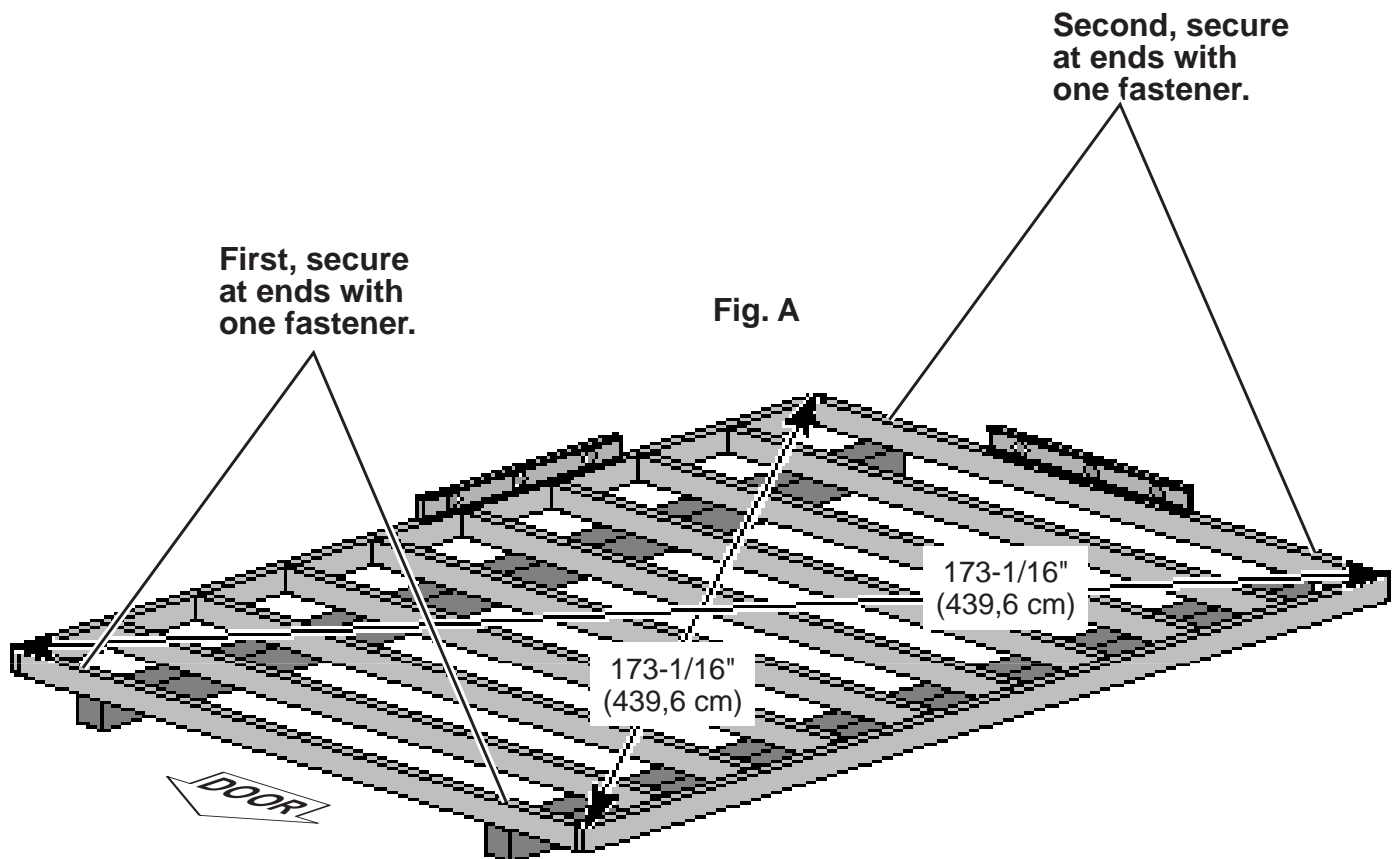
Before attaching floor decking, it is important to level and square the floor frame. A level and square floor frame is required to correctly construct your shed.

**STOP!**



✓ **BEGIN**

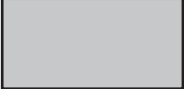
- 1 See page 7 for the preferred floor leveling method.
- 2 Use level and check the frame is level before applying floor panels.
- 3 Check for frame squareness by measuring diagonally across corners. If the measurements are the same, the frame is square. The diagonal measurement will be approximately 173-1/16" (439,6 cm).
- 4 When the frame is level and square, secure one side of frame to the 4x4 runners with one fastener at ends of each runner.  
Move to the opposite end of the frame.  
Secure the frame to 4x4 runners with one fastener at ends of each runner, making sure the frame remains square (**Fig. A**).





Once the floor frame is level and square fasten the frame to at each point the frame contacts the 4x4 runners .

# FLOOR PANELS

## PARTS REQUIRED:

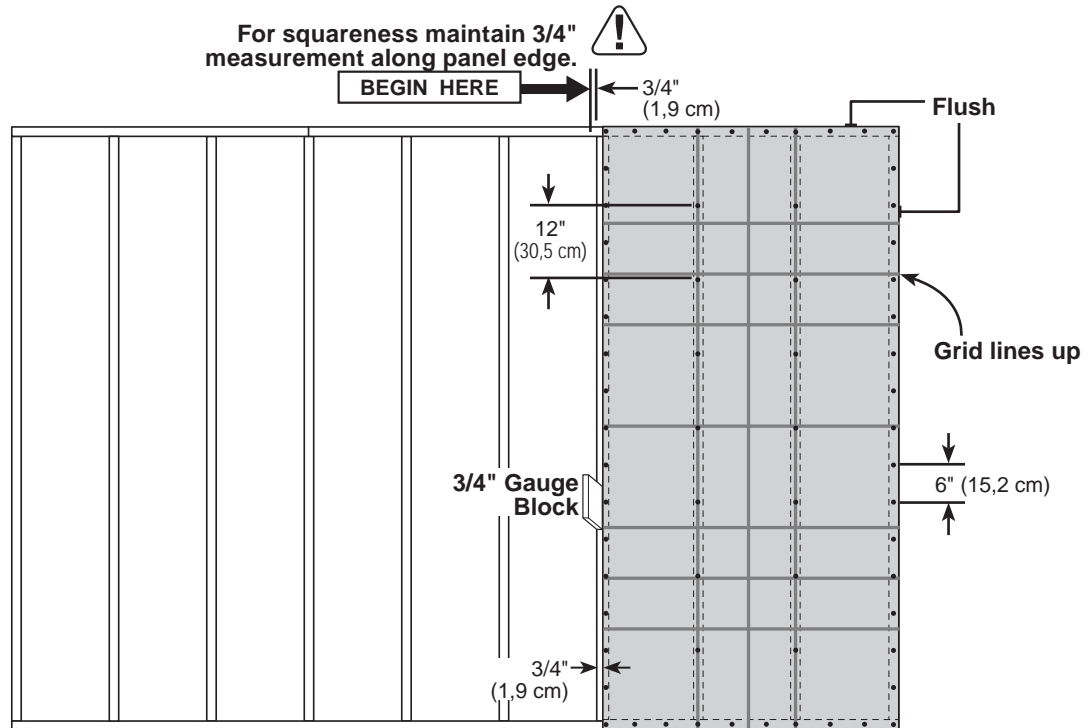
x3  5/8 x 48 x 96"  
(1,6 x 121,9 x 243,8 cm)

  
3/4" GAUGE  
BLOCK

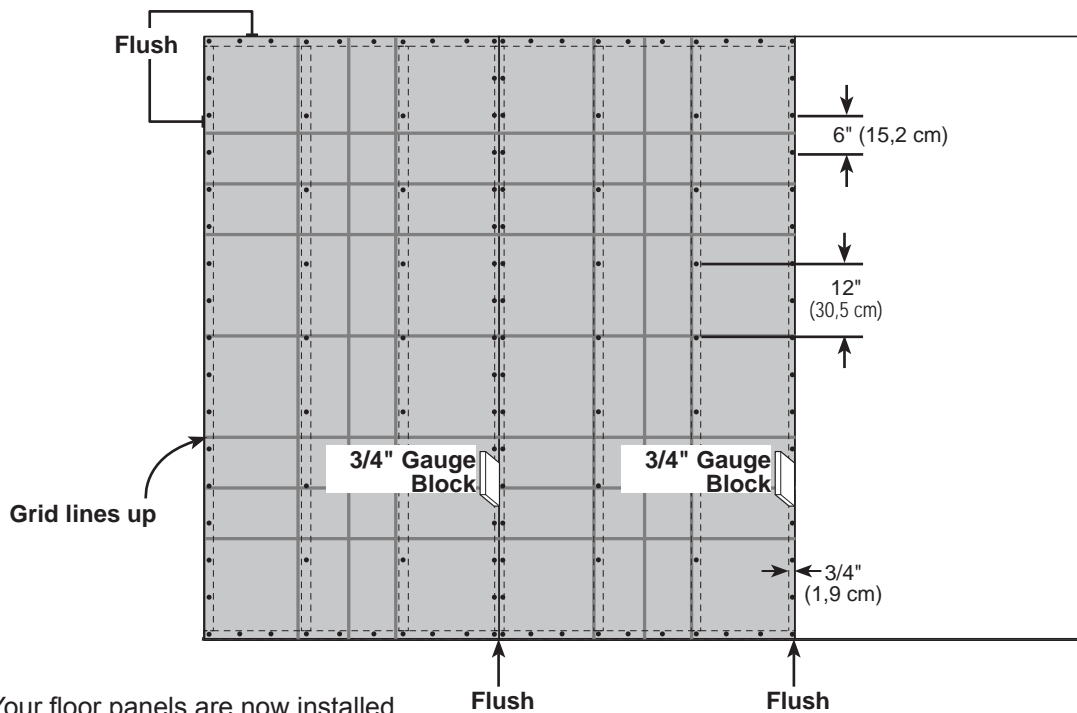
x186  2" (5,1 cm)  


✓ **BEGIN**

- 1 Place right 48"x 96" panel on frame with rough side up (painted grid lines), flush at edges. Use **GAA** as a gauge block to maintain the 3/4" measurement on the floor joist. Secure the panel with 2" nails spaced 6" apart on edges and 12" apart inside panel.



- 2 Continue installing 2 more 48"x 96" panels as in step 1. Install middle panel first. Secure panels with 2" nails spaced 6" apart on edges and 12" apart inside panels.



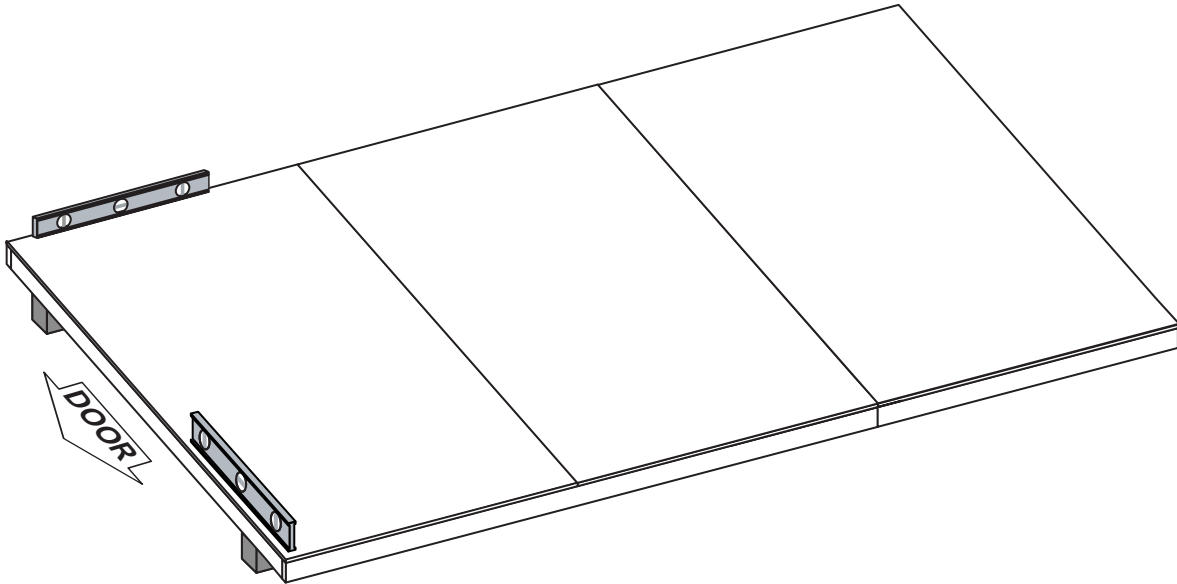
 **FINISH**

Your floor panels are now installed.

**! IMPORTANT!**



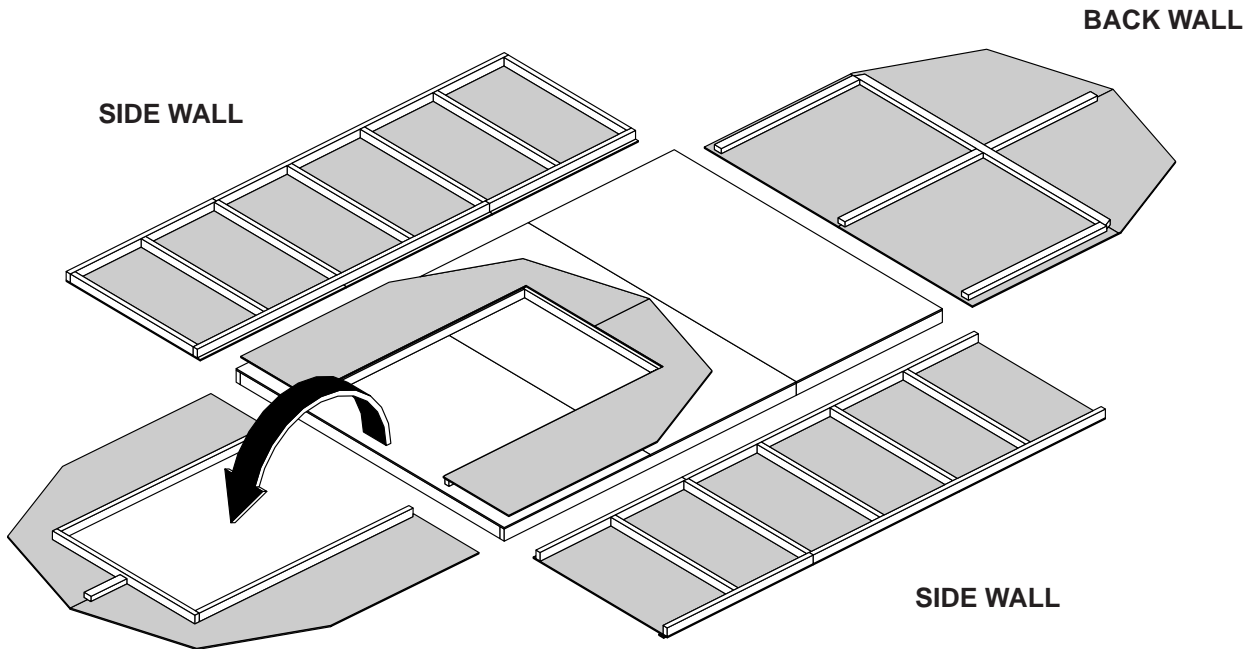
Ensure the floor frame is level after installing floor panels.  
Re-level if necessary.



• The floor should be used as a stable work surface for wall construction.

**HINT:**

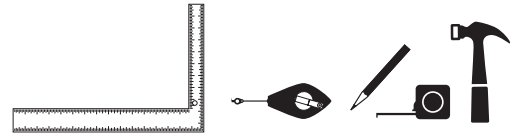
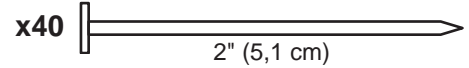
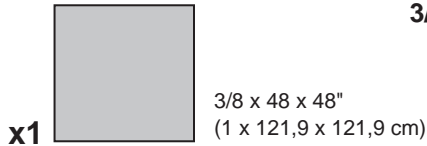
• Organize your assembly procedure during the build process to avoid over-handling of the walls.



FRONT WALL

# WALL PANEL INSTALLATION HINTS & EXAMPLES

## PARTS REQUIRED:

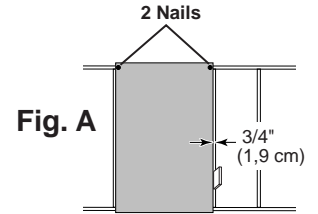


**!** Ensure your wall is square by installing one panel and squaring frame.

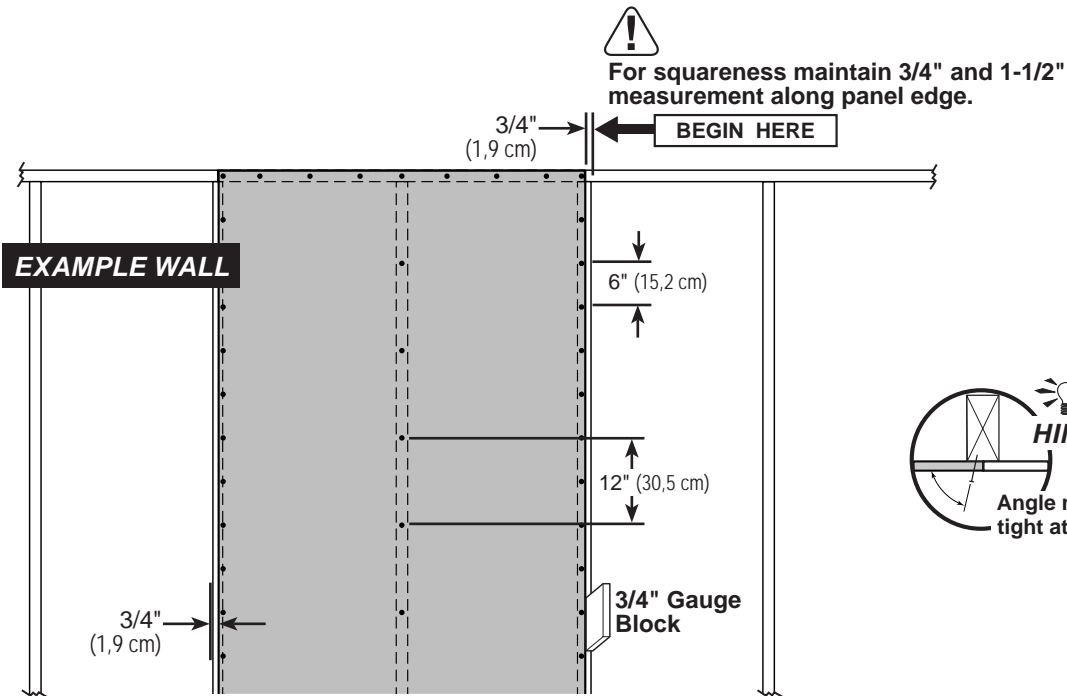
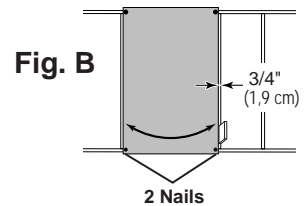
*Install all wall panels with the primed side facing up.*

✓ **BEGIN**

- Place (1) (48" x 48") panel on the wall frame, as shown.  
 Locate the panel flush to the top plate.  
 Use the gauge block to mark the 3/4" side measurement on the wall stud.  
 Secure panel with (2) 2" nails in the corners (**Fig. A**).



- Move to the opposite end. Using the long edge of the panel as a lever, move the panel side-to-side until you have a 3/4" measurement on the wall stud.  
 Secure corner with (2) 2" nails (**Fig. B**).  
 Secure panel with 2" nails spaced 6" apart on edges and 12" apart inside panel.

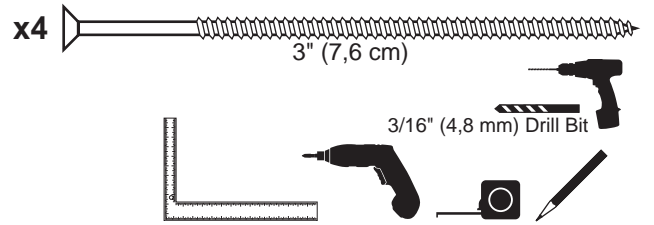


## BACK WALL

### PARTS REQUIRED:

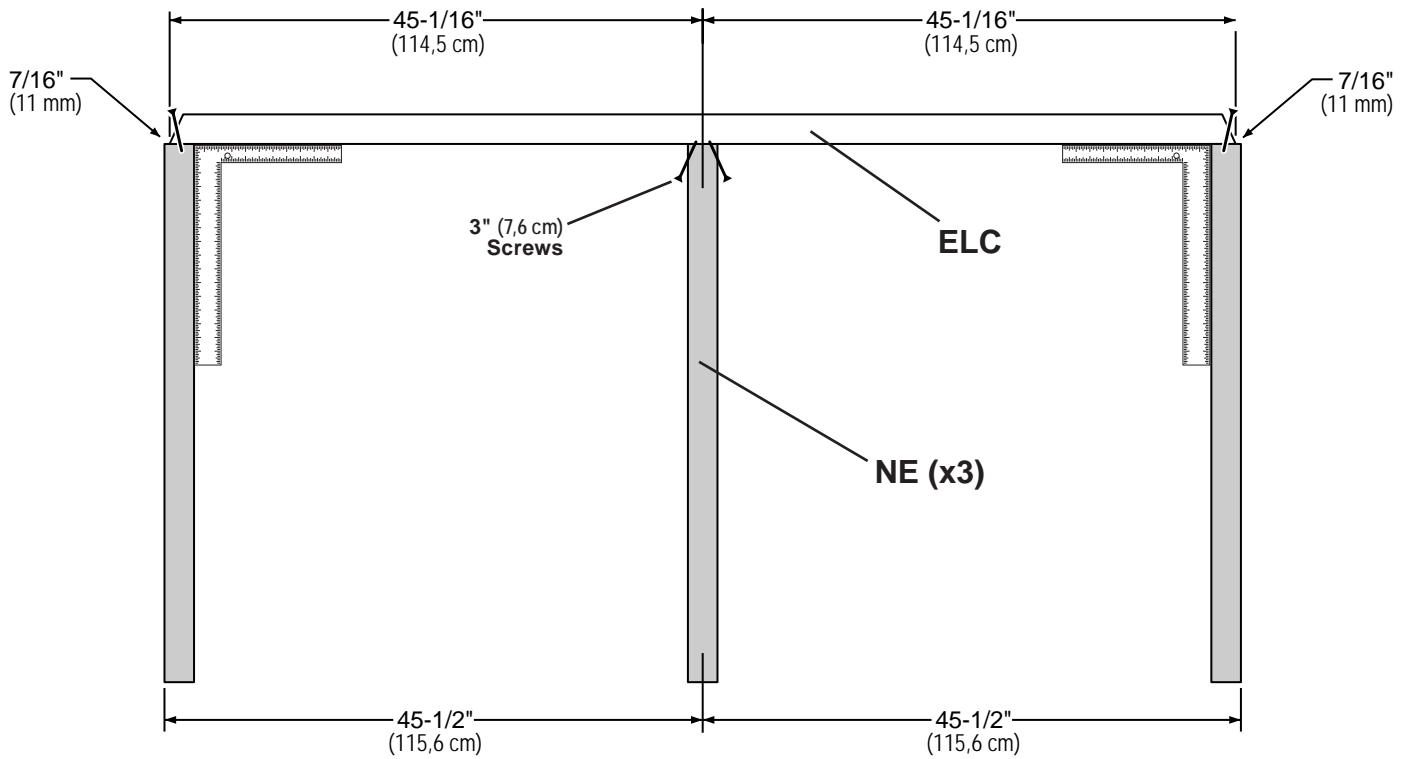
x3 **NE**  
2 x 3 x 45-1/2" (5,1 x 7,6 x 115,6 cm)

x1 **ELC**  
2 x 3 x 90-1/8" (5,1 x 7,6 x 228,9 cm)



✓ **BEGIN**

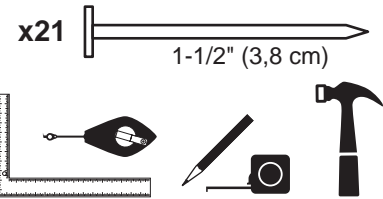
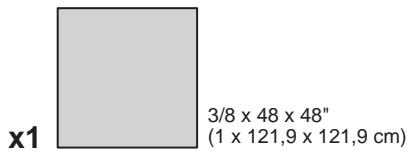
- 1 Arrange parts on the flat side, on a flat surface. Measure and mark.  
Secure parts with 3" screws, angled.  
**Pre-drill all holes.**





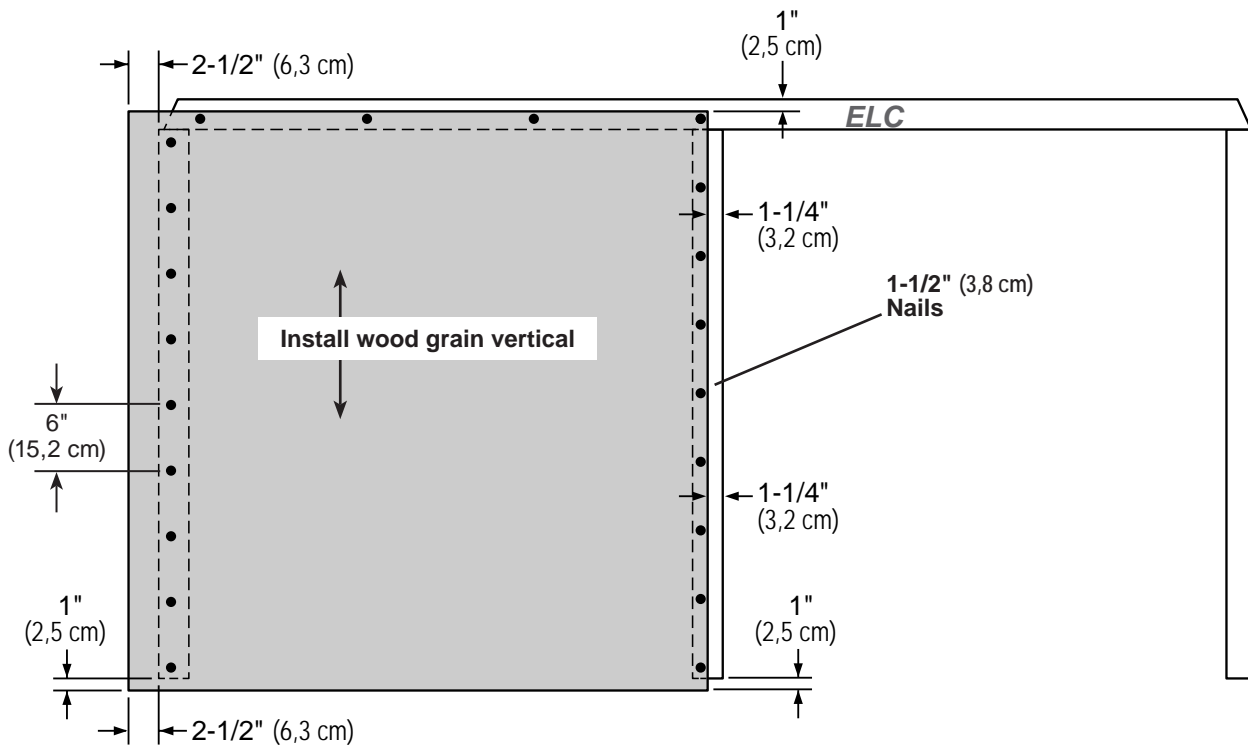
## BACK WALL PANELS

### PARTS REQUIRED:



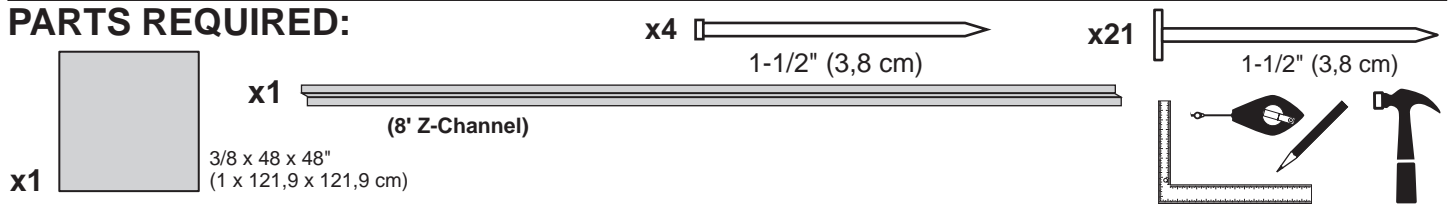
*Install panels with the primed side facing up.*

- 2 Install (1) **48" x 48"** wall panel on frame, as shown. Ensure  $1\text{-}1/4"$  measurement on center brace. Maintain 1" along the top of the horizontal brace (**ELC**) and  $1\text{-}1/4"$  centered on the center brace (**NE**). Secure panel to horizontal brace with (4)  $1\text{-}1/2"$  nails spaced evenly.
- 3 Ensure panel edge is  $1\text{-}1/4"$  centered on the center brace (**NE**). Secure panel with  $1\text{-}1/2"$  nails spaced 6" apart.
- 4 Ensure end wall brace (**NE**) is  $2\text{-}1/2"$  from the panel edge. Secure with  $1\text{-}1/2"$  nails spaced 6" apart.

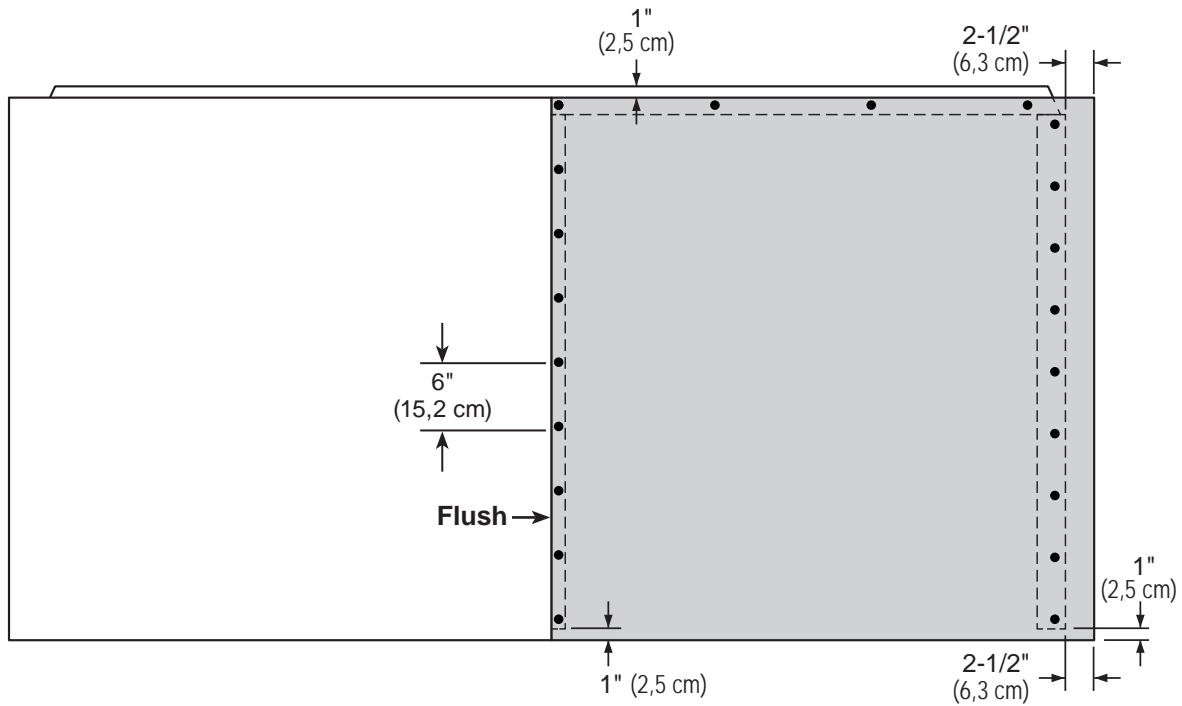


## BACK WALL PANELS

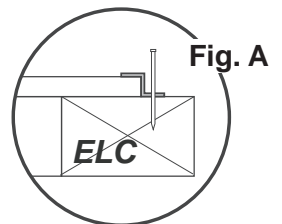
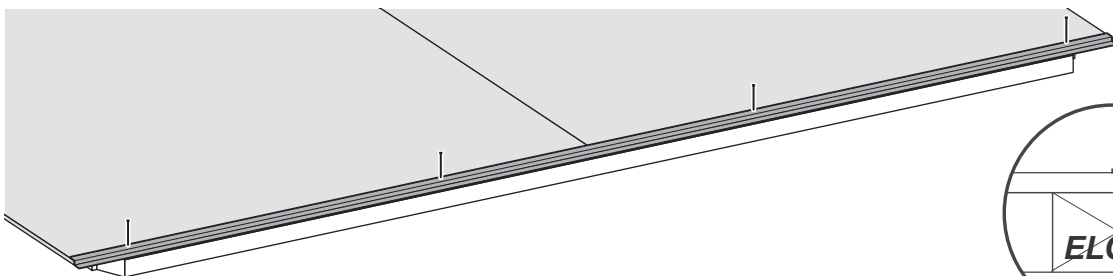
### PARTS REQUIRED:



- 5** Install 2nd 48" x 48" wall panel on frame, flush to installed panel.  
 Maintain 1" along the top of the horizontal brace.  
 Secure panel to horizontal brace with (4) 1-1/2" nails spaced evenly.
- 6** Secure panel to center brace with 1-1/2" nails spaced 6" apart.
- 7** Ensure end wall brace is 2-1/2" from the panel edge.  
 Secure with 1-1/2" nails spaced 6" apart.



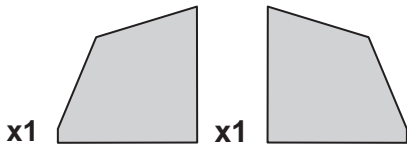
- 8** Install the 8' Z-Channel on frame, flush along edge and overlapping installed panels (**Fig. A**).  
 Tack in place with (4) 1-1/2" finishing nails, as shown.



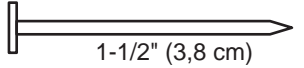
Your back wall is now assembled.

# BACK WALL GABLE UNIT

## PARTS REQUIRED:



x1 **BSN**  
2 x 3 x 35" (5,1 x 7,6 x 88,9 cm)

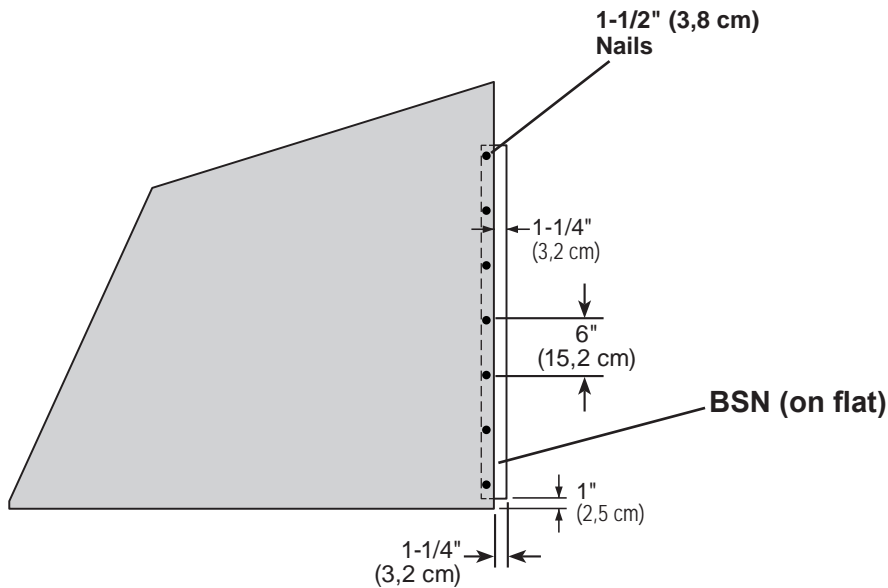
x14  1-1/2" (3,8 cm)



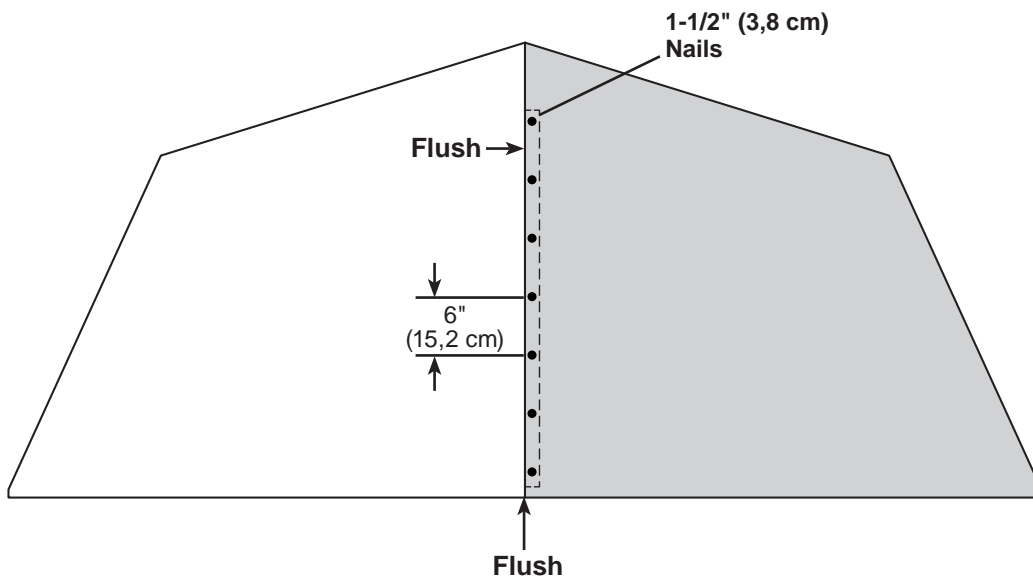
*Install gable panels with the primed side facing up.*

✓ **BEGIN**

- 1 Lay **BSN** on the flat side. Install left gable panel on **BSN** at measurements shown. Secure with 1-1/2" nails spaced 6" apart.



- 2 Install right gable panel flush to installed panel. Secure to **BSN** with 1-1/2" nails spaced 6" apart.



 **FINISH**

Your back gable unit is now assembled.

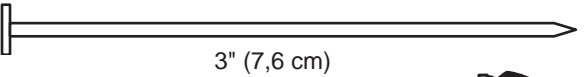
# SIDE WALLS

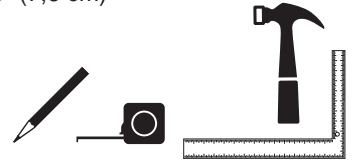
## PARTS REQUIRED:

x14 **AFE**  
2 x 3 x 44" (5,1 x 7,6 x 111,8 cm)

x4 **NK**  
2 x 3 x 48" (5,1 x 7,6 x 121,9 cm)

x4 **PT**  
2 x 3 x 96" (5,1 x 7,6 x 243,8 cm)

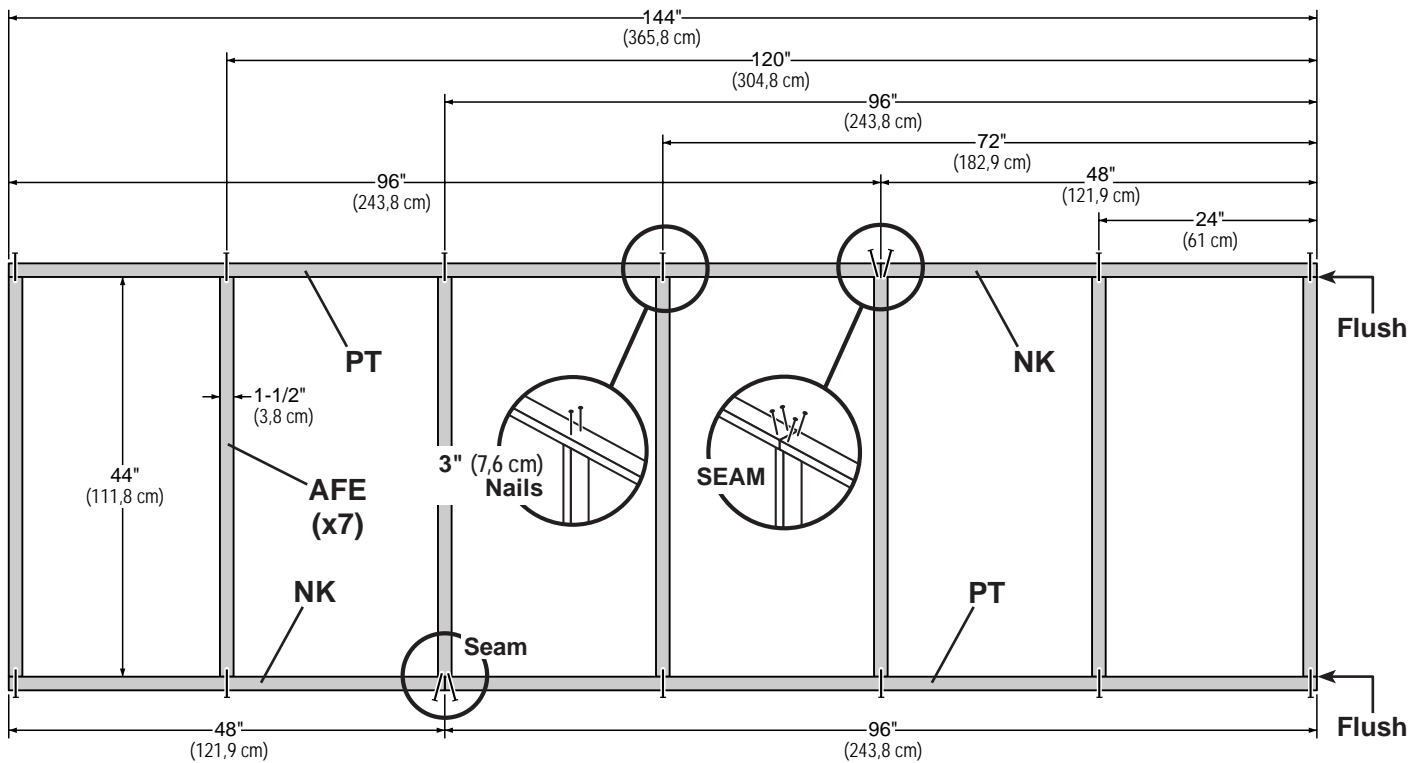
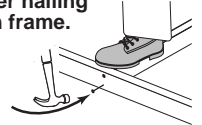
x32  3" (7,6 cm)



### ✓ BEGIN

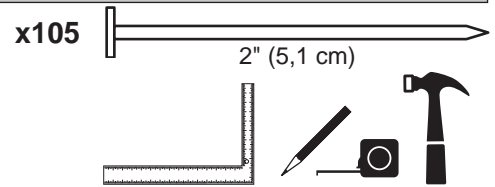
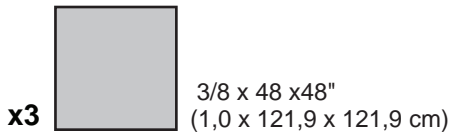
- 1 Arrange parts on edge on floor as shown. Measure and mark.  
Secure with (2) 3" nails at each connection and (4) 3" nails angled at seams.

**HINT:**  For easier nailing stand on frame.



## SIDE WALL PANELS

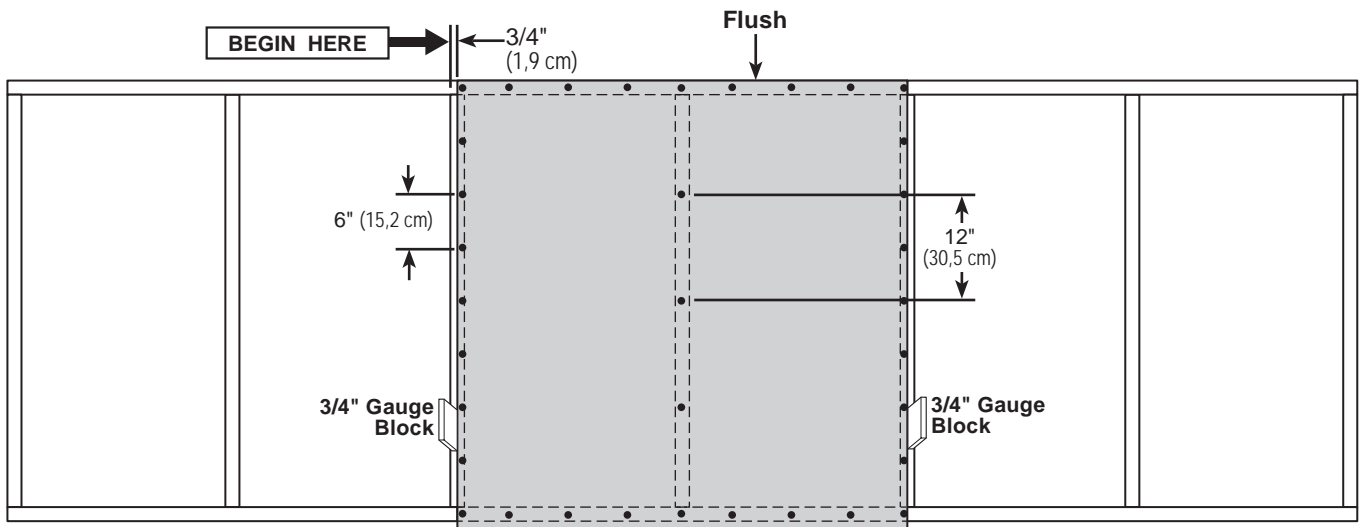
### PARTS REQUIRED:



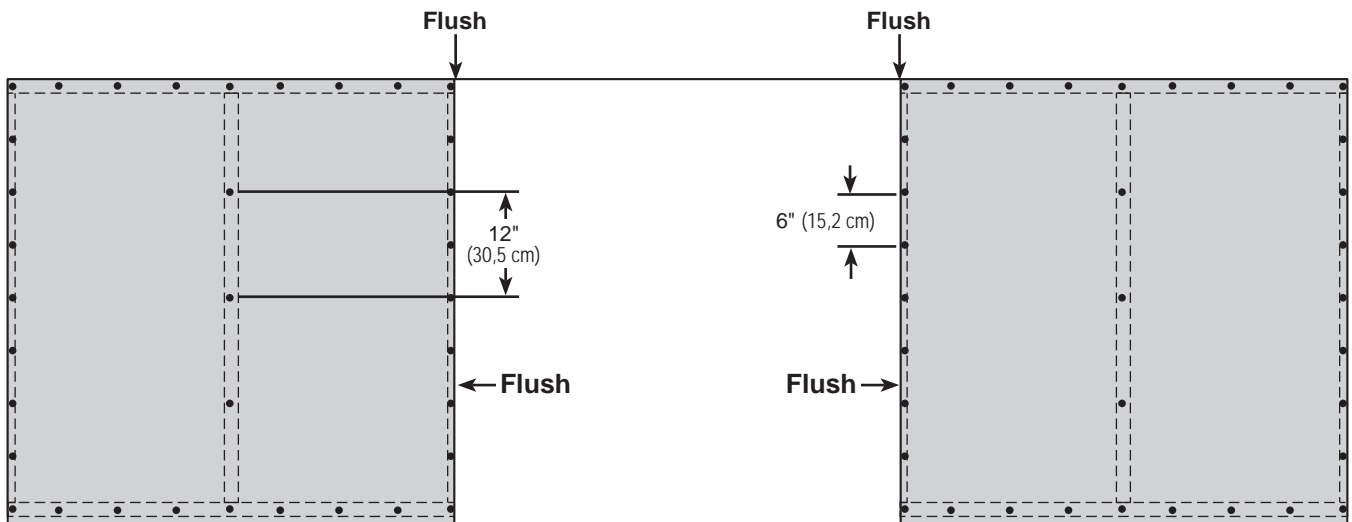
*Install panels with the primed side facing up.*

**Arrange panels with the wood grain positioned vertically.**

- 2** Install (1) 48" x 72" panel flush to the top plate.  
Use the gauge block for consistent measurement on the wall stud.  
Secure the panel with 2" nails spaced 6" apart on edges and 12" apart inside panel.



- 3** Install (2) 48" x 48" panel flush to the top plate.  
Use the gauge block for consistent measurement on the wall stud.  
Secure the panel with 2" nails spaced 6" apart on edges and 12" apart inside panel.



*Repeat steps to build your 2nd side wall.*

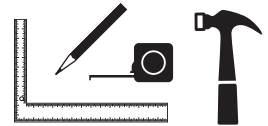
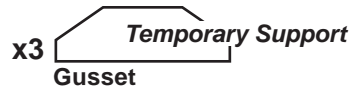
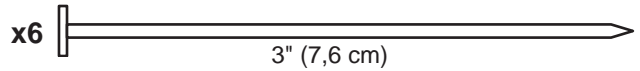


Your side walls are now assembled.

# FRONT WALL

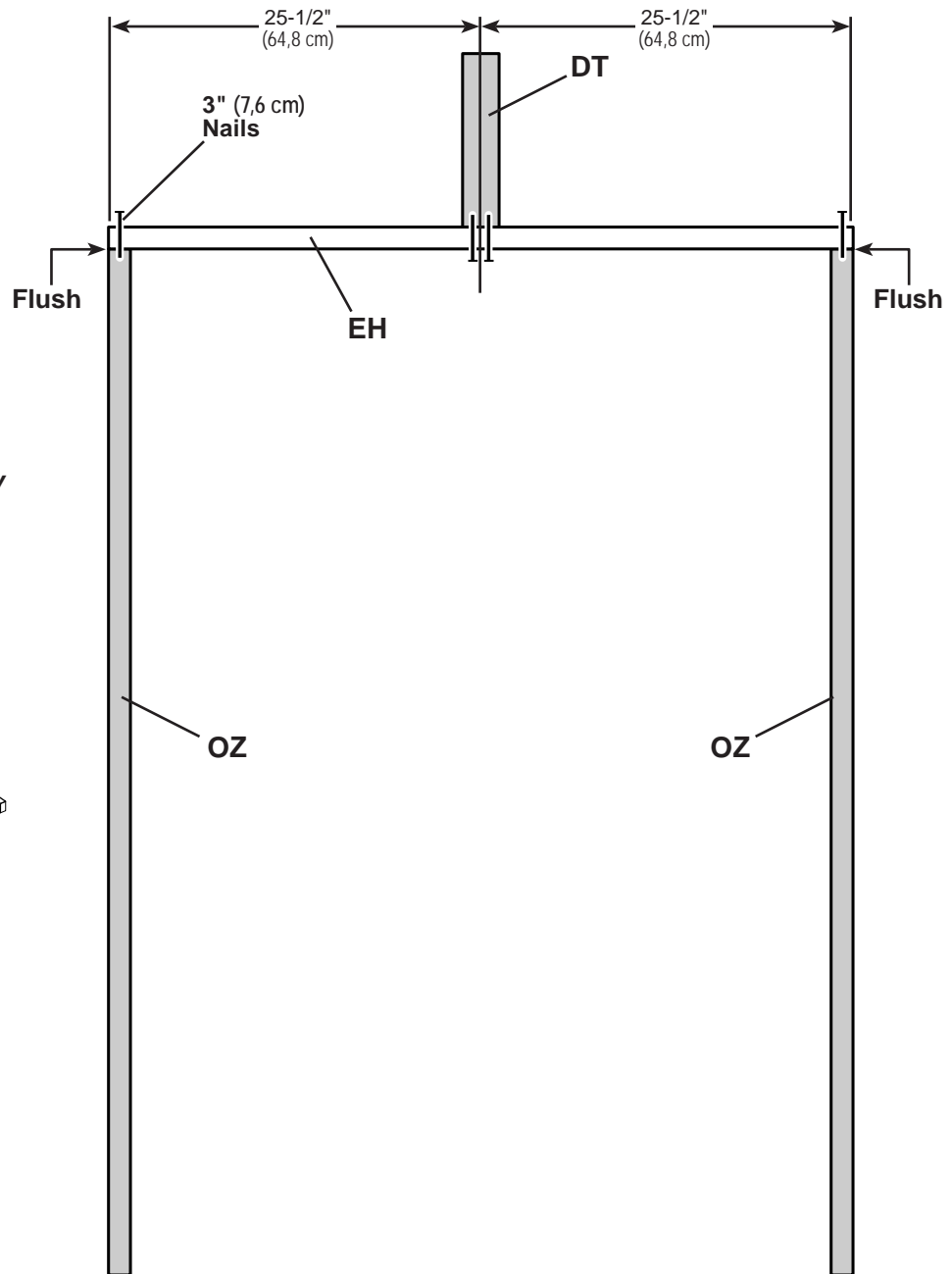
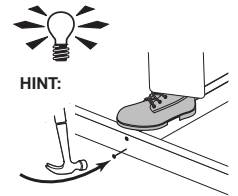
## PARTS REQUIRED:

- x1 **DT**  
2 x 3 x 11-3/4" (5,1 x 7,6 x 29,8 cm)
- x1 **EH**  
2 x 3 x 51" (5,1 x 7,6 x 129,5 cm)
- x2 **OZ**  
2 x 3 x 70-1/4" (5,1 x 7,6 x 178,4 cm)

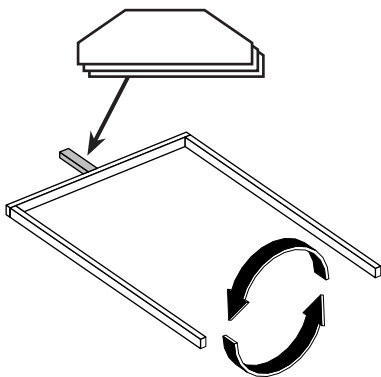


### ✓ BEGIN 1

Arrange parts **EH** and **OZ** on edge, part **DT** on flat side, on a flat surface. Measure and mark center of **DT**. Secure with (2) 3" nails at each connection.




*Carefully turn over the front wall frame and support DT. Use (3) gussets as temporary supports.*



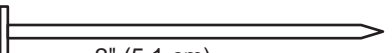
# FRONT WALL

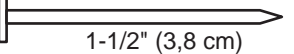
## PARTS REQUIRED:

x2 **OO Temporary Support**  
69" Door Stiffener (175,3 cm)

x2  3" (7,6 cm)

x1  x1

x34  2" (5,1 cm)

x4  1-1/2" (3,8 cm)

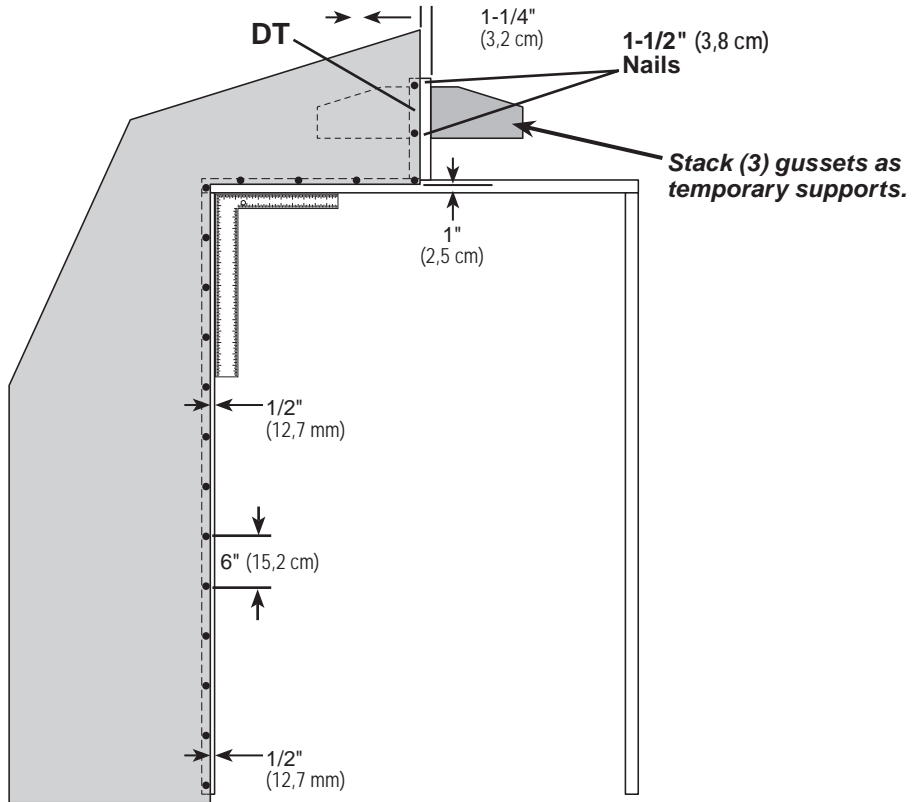
*Install panels with the primed side facing up.*

**2**

Install (1) front wall panel centered on frame and 1" above upper door frame. Maintain 1/2" along door stud before nailing.

Secure the panel with 2" nails spaced 6" apart along edges.

**Secure panel to gable connector (DT) with 1-1/2" nails, as shown.**

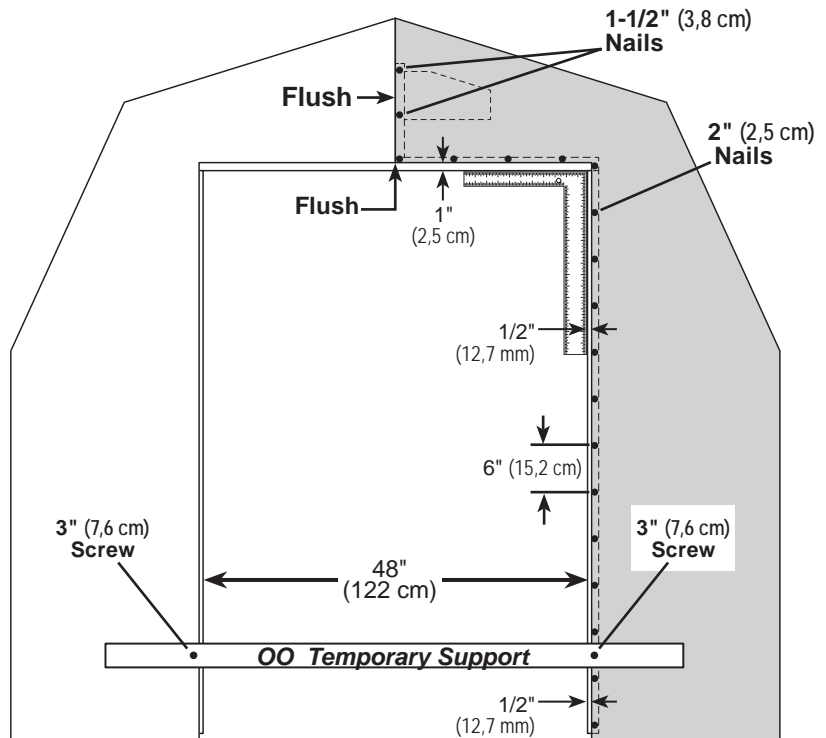


**2**

Install 2nd front wall panel flush to installed panel at gable, and 1" above upper door frame. Maintain 1/2" along door stud before nailing.

Secure the panel with 2" nails spaced 6" apart along edges.

**Secure gable connector (DT) with 1-1/2" nails, as shown.**



**3**

Ensure 48" door opening by installing **OO** as a temporary brace. Secure with (2) 3" screws.



Your front wall is now assembled.

# RIGHT SIDE WALL INSTALLATION

## PARTS REQUIRED

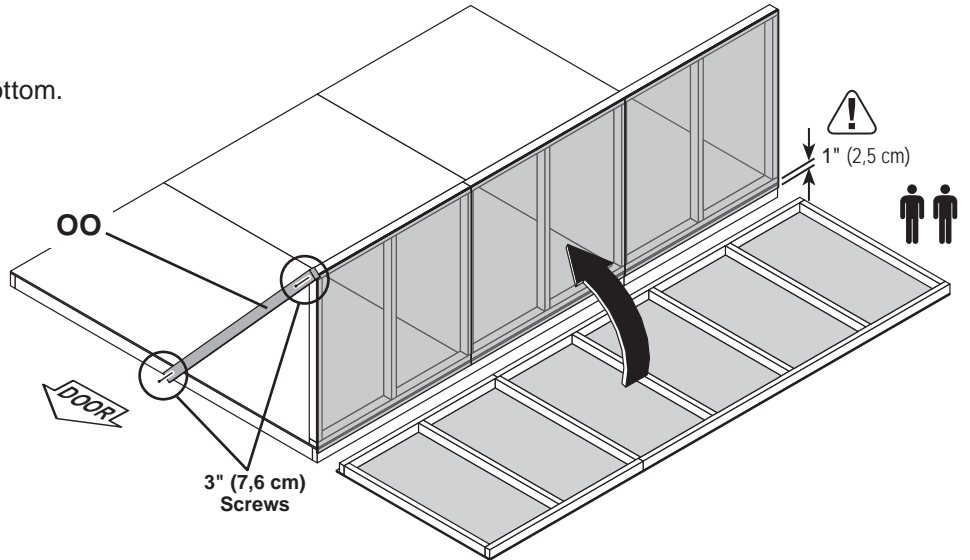
x2 **OO** Temporary Support  
69" Door Stiffener (175,3 cm)



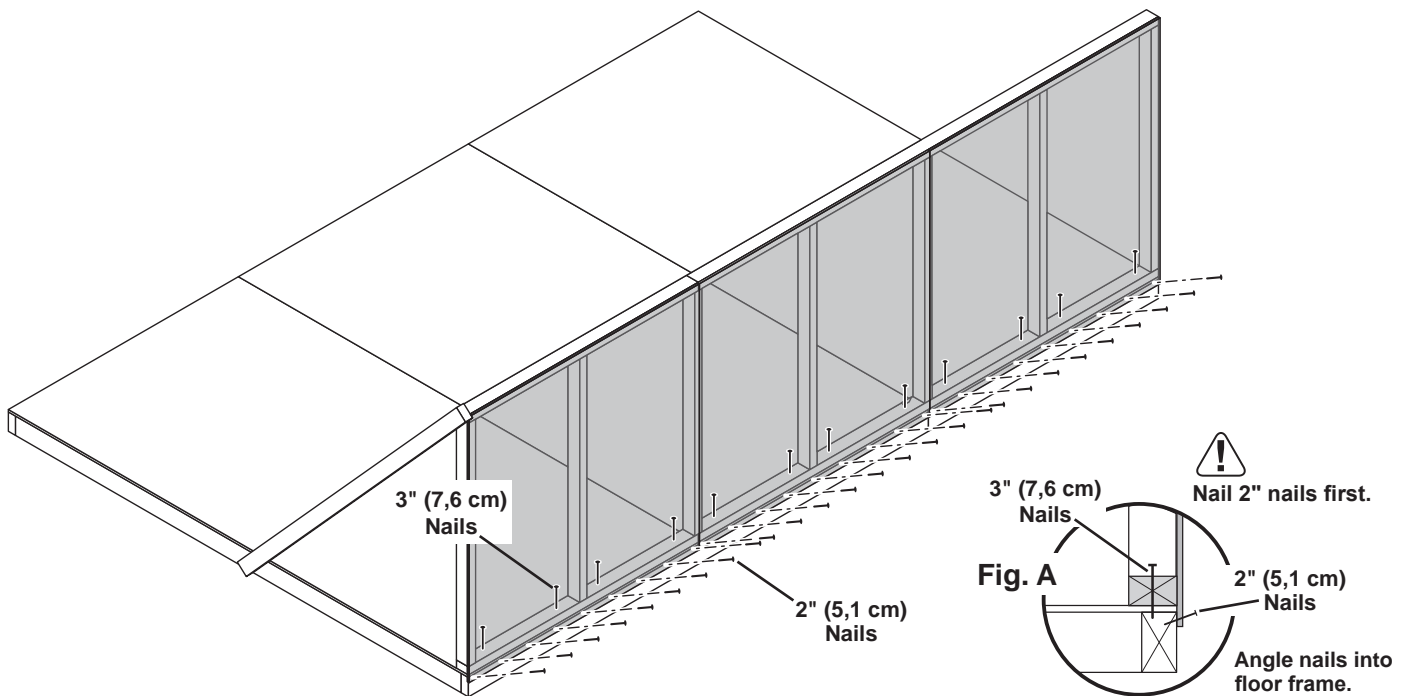
x2 3" (7,6 cm)  
x12 3" (7,6 cm)  
x27 2" (5,1 cm)

### ✓ BEGIN

- Center right wall on the floor.  
Ensure the 1" overlap is to the bottom.  
Install **OO** as a temporary brace.  
Secure with (2) 3" screws.



- Secure lower edge of panels to floor frame with 2" nails spaced 6" apart.  
Angle nails into floor frame (**Fig. A**).  
Secure side wall bottom plates to floor with 3" nails (**Fig. A**).

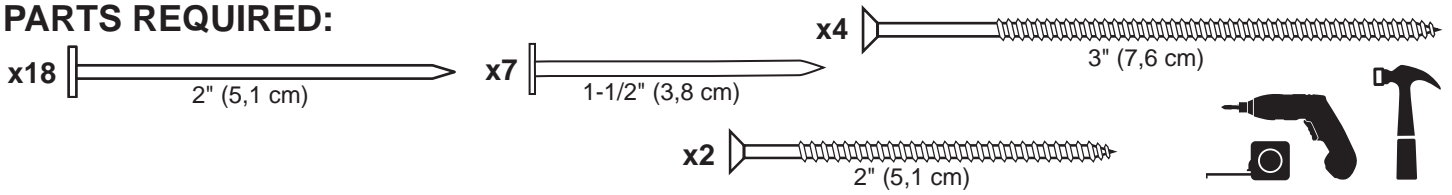


Your right side wall is now installed.



# BACK WALL INSTALLATION

## PARTS REQUIRED:



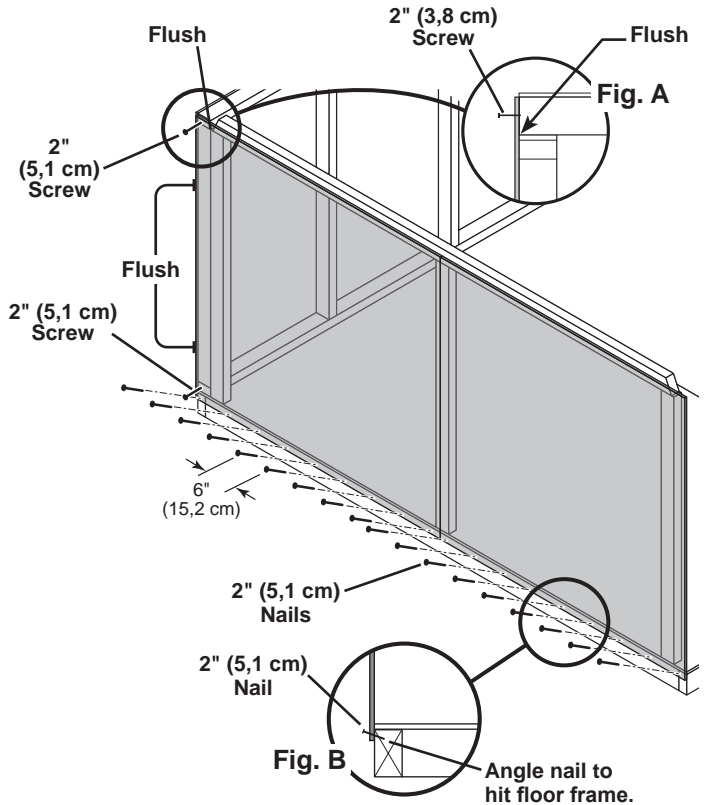
### ✓ BEGIN

- Center back wall on floor. Secure top and bottom of wall with (1) 2" screw into top plate and (1) 2" screw into the floor frame (**Fig. A, C**).



**ENSURE PANEL CORNERS ARE FLUSH.**

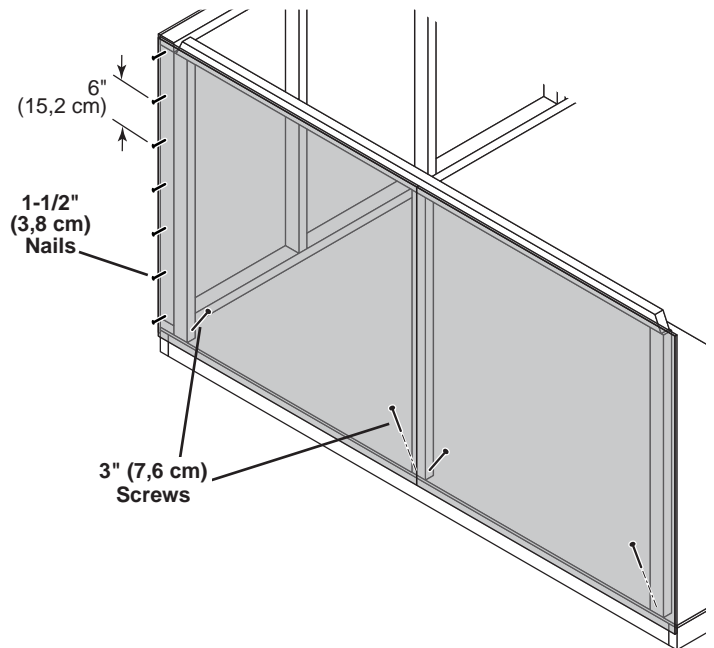
- Secure lower edge of panels to floor with 2" nails spaced 6" apart. Angle nail to hit floor frame (**Fig. B**).



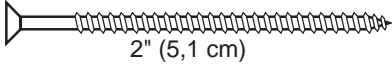
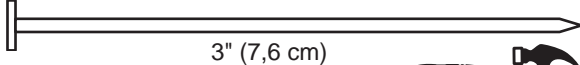
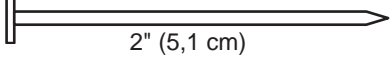
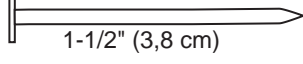

- Secure back wall panel to side wall stud with 1-1/2" nails spaced 6" apart.

Secure back wall frame to floor with (3) 3" screws, as shown.

**Pre drill screw holes.**

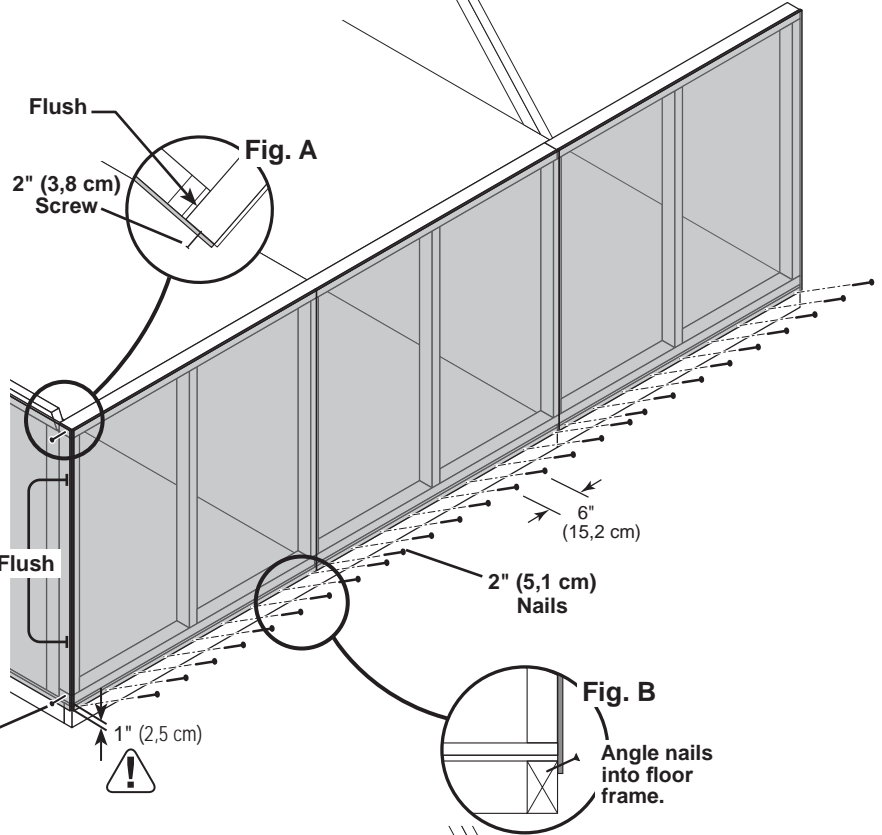


# LEFT SIDE WALL INSTALLATION

- PARTS REQUIRED:** x2  2" (5,1 cm) x12  3" (7,6 cm)
- x27  2" (5,1 cm) x7  1-1/2" (3,8 cm)
- 

**BEGIN**

**1** Center left wall on floor. Ensure the 1" overlap is to the bottom. Secure top and bottom of wall with (1) 2" screw into top plate and (1) 2" screw into the floor frame (**Fig. A**).



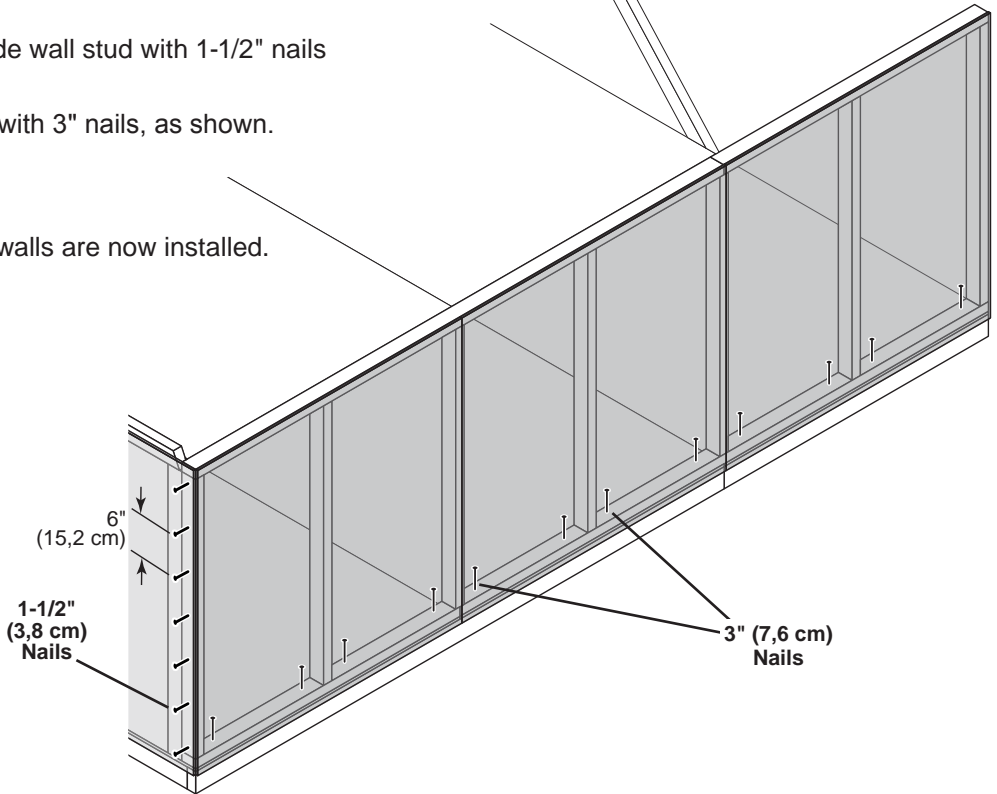
**ENSURE PANEL CORNERS ARE FLUSH.**

**2** Secure bottom of panels to floor with 2" nails spaced 6" apart. Angle nails into floor frame (**Fig. B**).

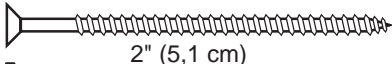
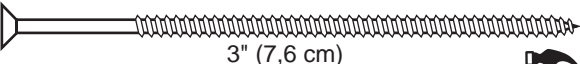
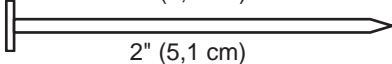
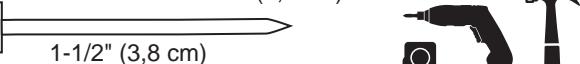

**3** Secure back wall panel to side wall stud with 1-1/2" nails spaced 6" apart. Secure bottom plate to floor with 3" nails, as shown.



**FINISH**  
Your back wall and left side walls are now installed.



# FRONT WALL INSTALLATION

- PARTS REQUIRED:** x4  x2   
 x8  x14  

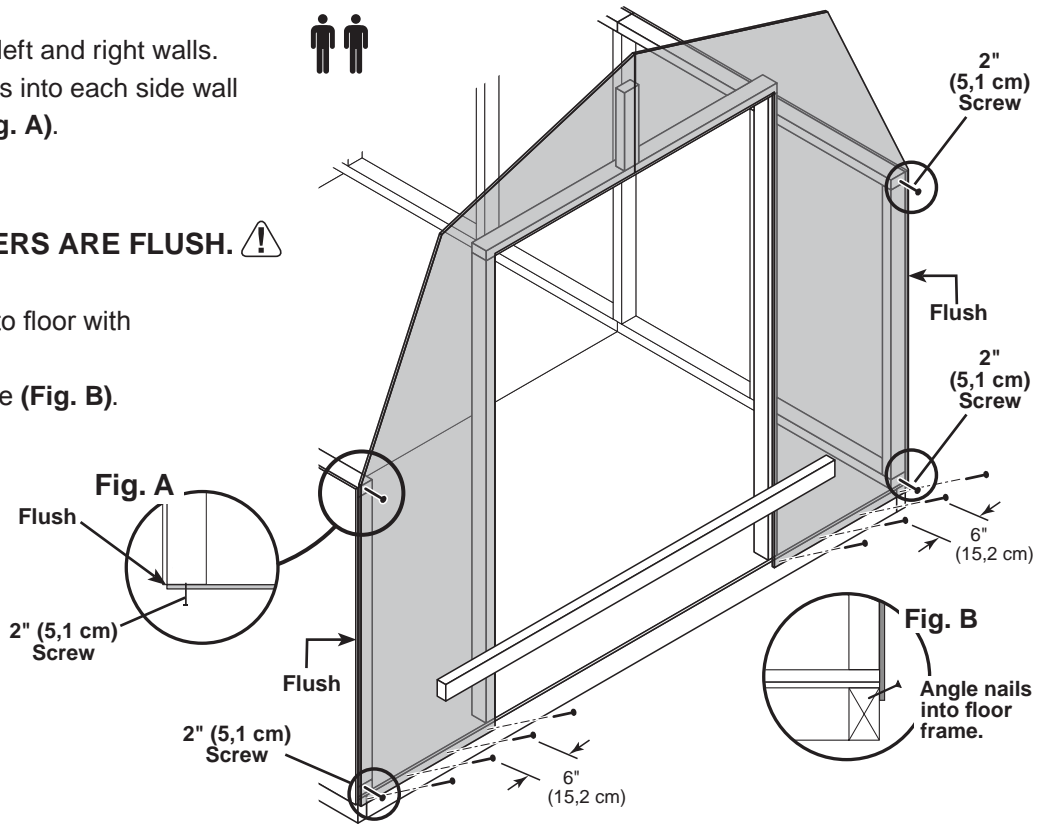
**BEGIN**

- 1** Install front wall between left and right walls. Secure wall with 2" screws into each side wall top and bottom plates (**Fig. A**).



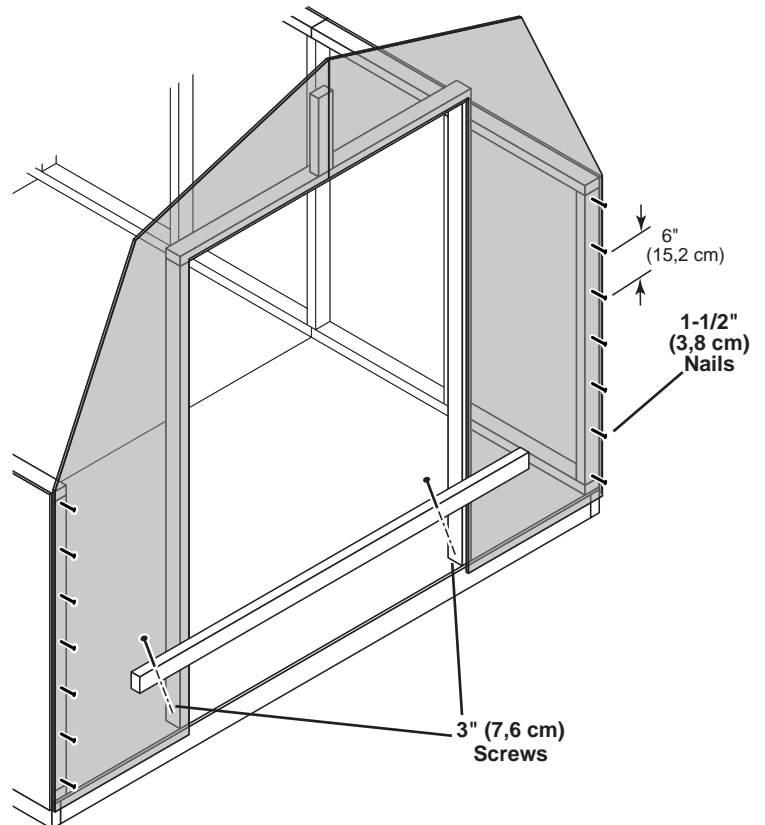
**ENSURE PANEL CORNERS ARE FLUSH.**

- 2** Secure bottom of panels to floor with 2" nails spaced 6" apart. Angle nails into floor frame (**Fig. B**).



- 3** Secure front wall panels to side wall studs with 1-1/2" nails spaced 6" apart.

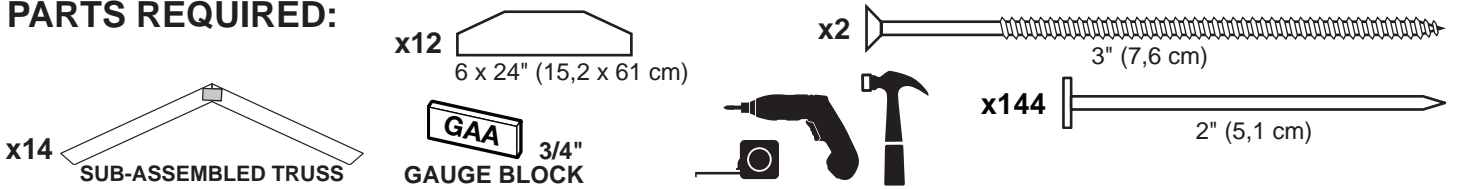
Working inside, secure back side of door studs to floor with 3" screws angled into floor frame.



Your front wall is now installed.  
**Remove temporary brace.**

# RAFTERS

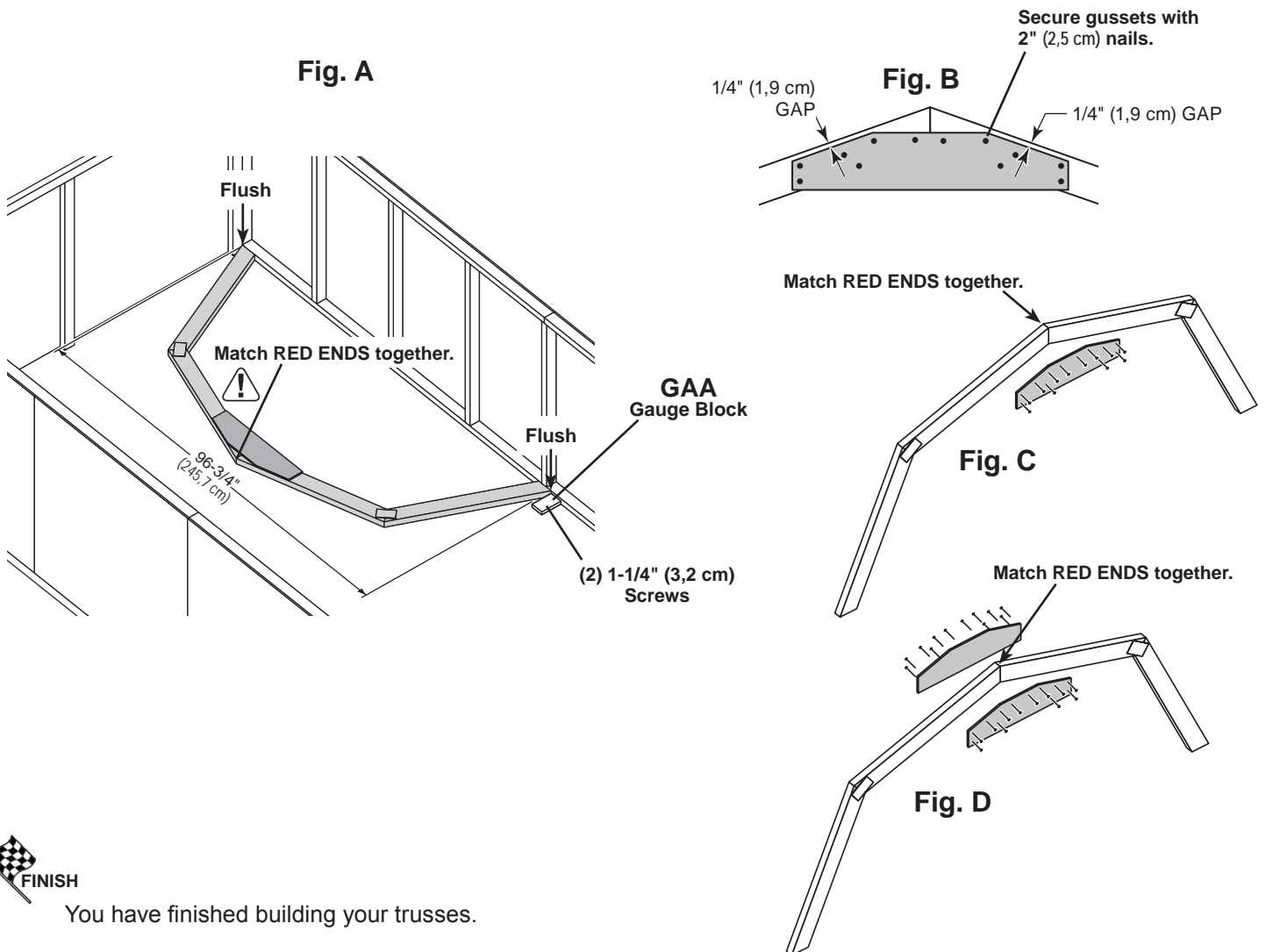
## PARTS REQUIRED:



**!** You will build 7 rafters. (2) rafters will have *ONE* gusset. (5) rafters will have *TWO* gussets. **!**

### ✓ BEGIN

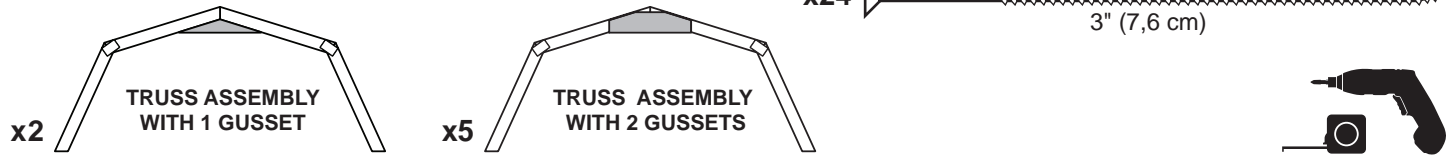
- 1** Make a jig so trusses will all have the same measurement using the shed floor and 3/4" gauge block (**GAA**).
- 2** Measure and mark the floor at 96-3/4" from the corner (**Fig. A**).  
Fasten **GAA** at mark with (2) 3" screws.
- 3** Place (2) sub-assembled trusses with red ends touching at peak (**Fig. A**).  
Place gusset with 1/4" offset on top of trusses (**Fig. B**).  
Secure gusset to trusses with (12) 2" nails in pattern shown (**Fig. B**). Hold trusses tight at peak when nailing.
- 4** Install one gusset on **TWO** rafters. (**Fig. C**).  
With **FIVE** of the rafters, flip rafters over and attach a **SECOND** gusset (**Fig. D**).



You have finished building your trusses.

# RAFTERS

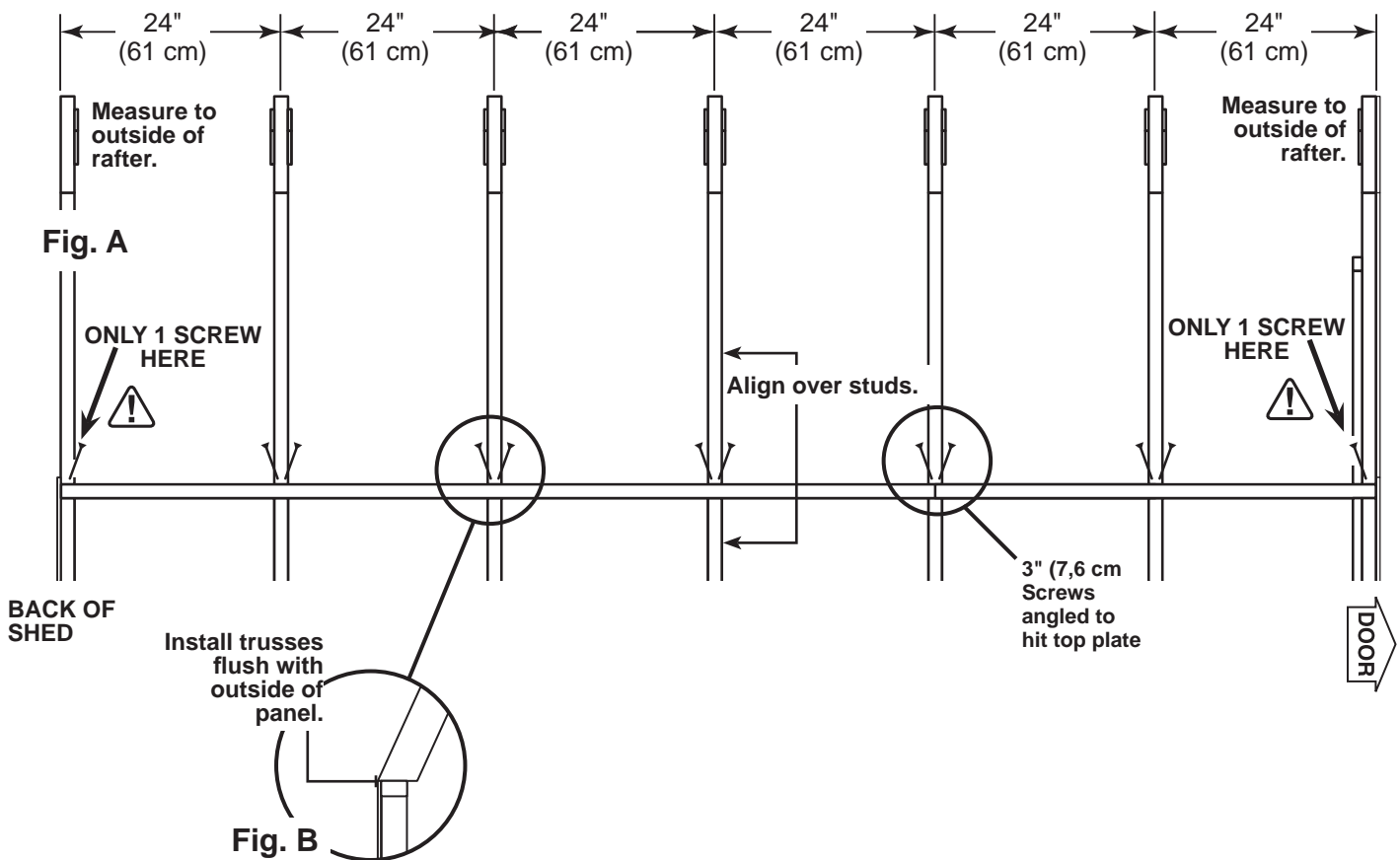
## PARTS REQUIRED:



### BEGIN

- 1 Mark top plates to measurements shown. Place **two-gusset** rafters over studs and flush to the inside of front and back wall panels (**Fig. A, Fig. B**).  
Secure rafters with (2) 3" screws at rafter end.
- 2 Place **one-gusset** rafters flush to the inside of front and back wall panels and flush to side wall panels (**Fig. B**).  
Secure with (1) 3" screw at truss end (**Fig. A, Fig B**).

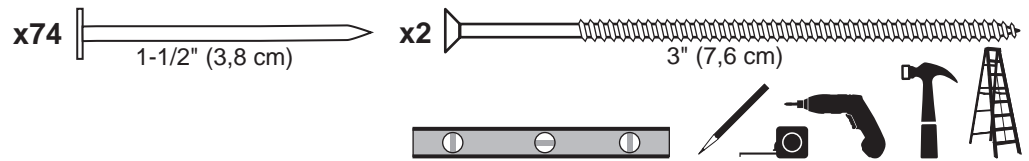
Repeat steps for the opposite side of shed.



You have finished installing your rafters.

## BACK GABLE UNIT and FRONT UPPER WALL

### PARTS REQUIRED:



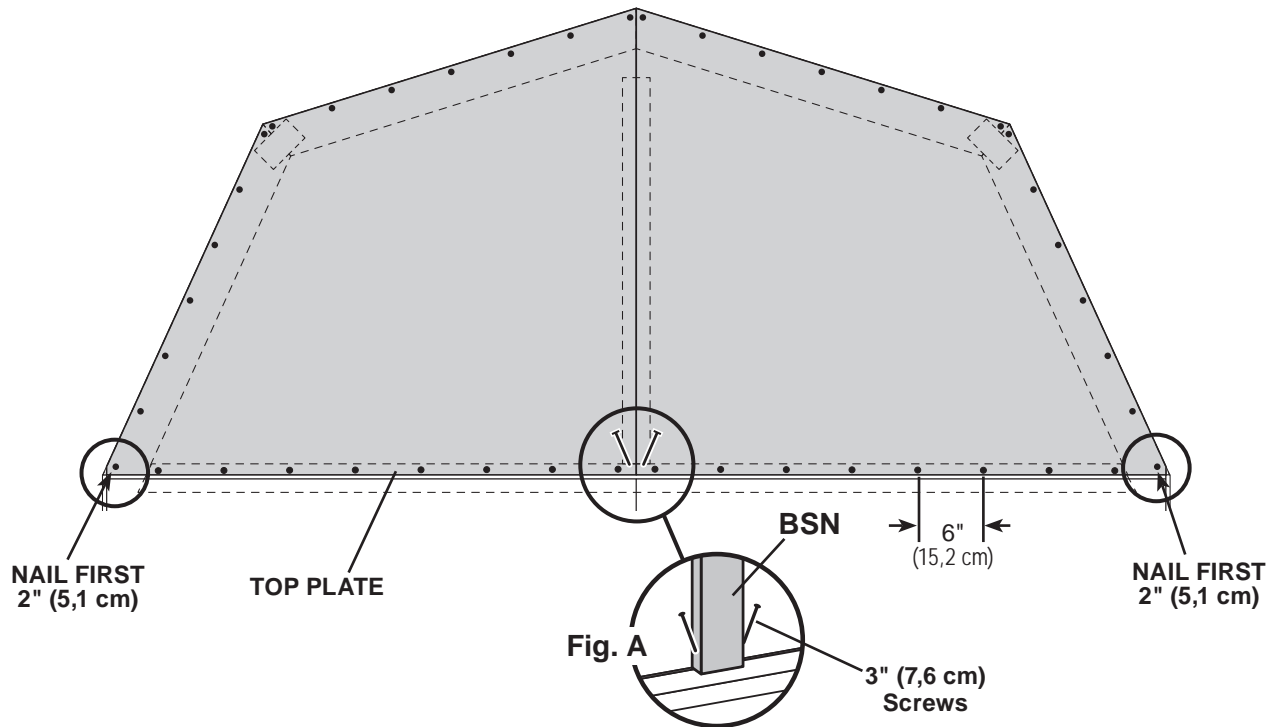
#### ✓ BEGIN

- 1 Center back gable unit on top of Z-Channel.  
Hold gable unit secure with (1) 2" nail on each side.



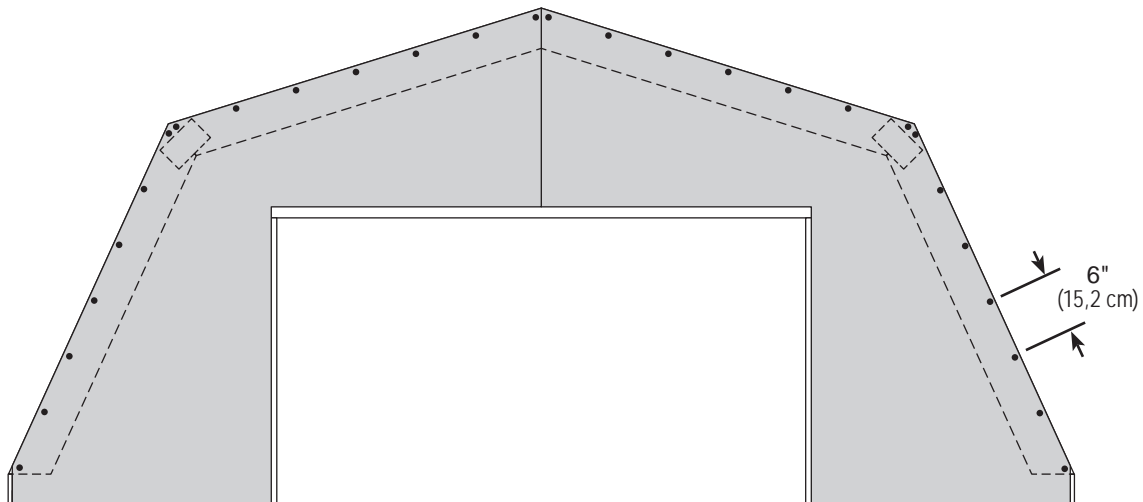
⚠ **ENSURE GABLE IS CENTERED ON WALL BEFORE NAILING.**

- 2 Continue nailing lower edge of panels into top plate with 2" nails spaced 6" apart.



- 3 Working inside, secure gable unit with (2) 3" screws screwed into **BSN** at an angle (**Fig. A**).  
Continue securing panels to rafter with 2" nails spaced 6" apart.

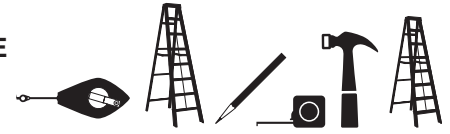
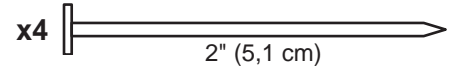
- 4 Secure front wall gable panels to front rafter with 2" nails spaced 6" apart..




Your back gable unit has been installed and the front wall is secured to the front rafter.

# ROOF PANELS

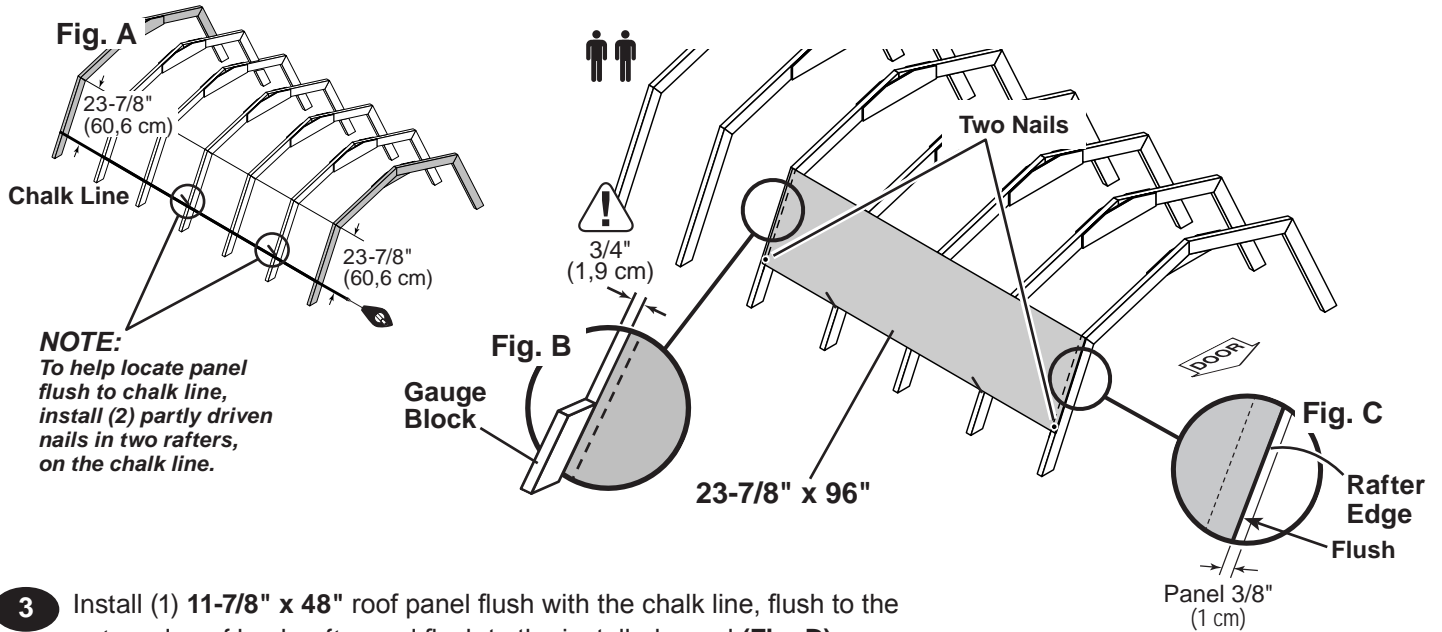
## PARTS REQUIRED:



**Install roof panels with the rough side facing up (painted grid lines).**

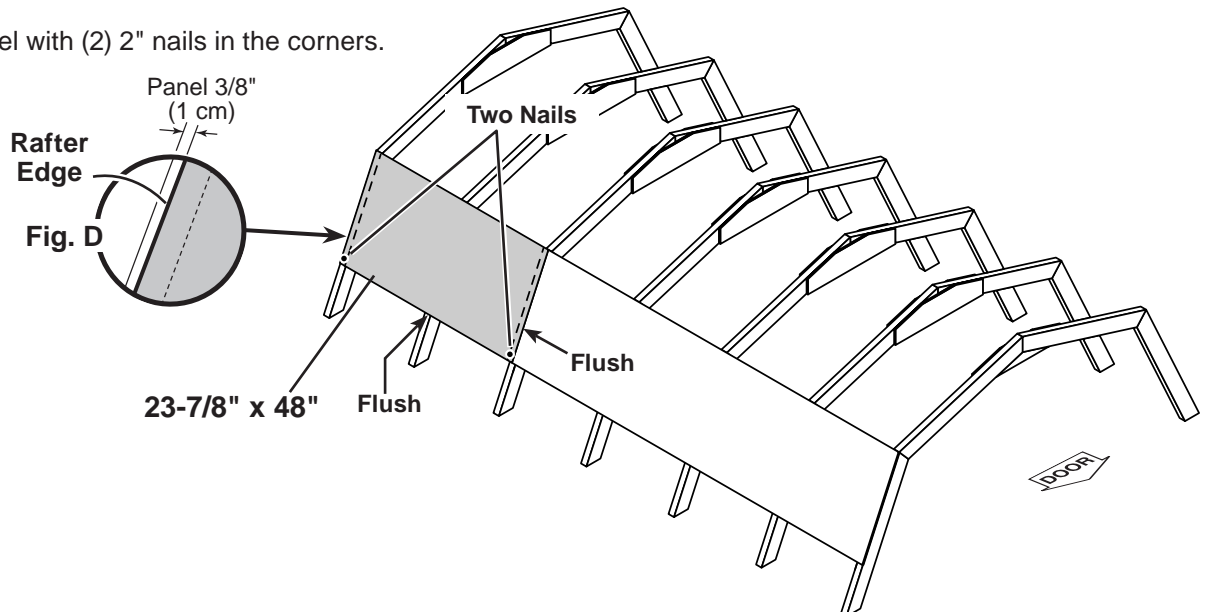
**BEGIN**  **Roof panels may cause serious injury until securely fastened.**

- 1 Measure down from corner of front and back rafters to 23-7/8" (**Fig A**). Snap a chalk line across rafters.
- 2 Install (1) 23-7/8" x 96" panel flush along the chalk line (**Fig A**). Panel should be flush to the outside edge of the front rafter (**Fig. C**). On the 5th rafter use the 3/4" gauge block **GAA** to center the panel over the rafter (**Fig. B**). Secure panel with (2) 2" nails in the corners as shown.



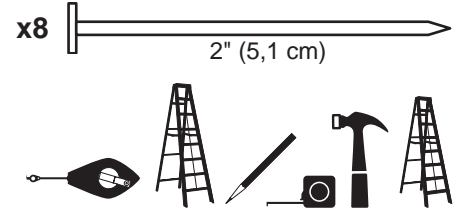
- 3 Install (1) 11-7/8" x 48" roof panel flush with the chalk line, flush to the outer edge of back rafter and flush to the installed panel (**Fig. D**).

Secure panel with (2) 2" nails in the corners.

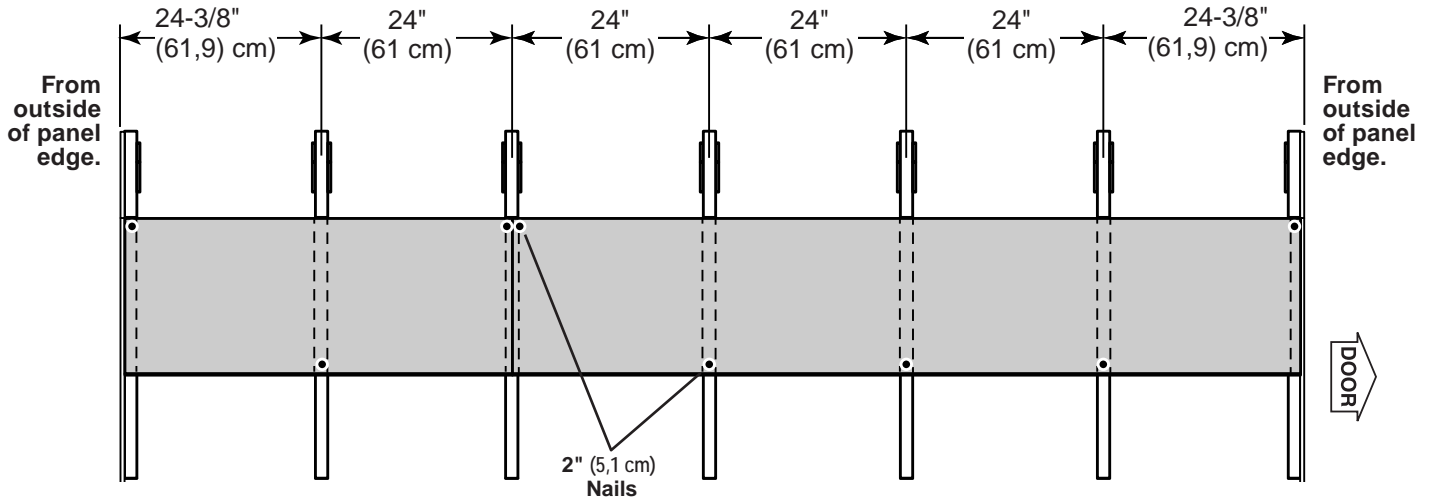


# ROOF PANELS

## PARTS REQUIRED:

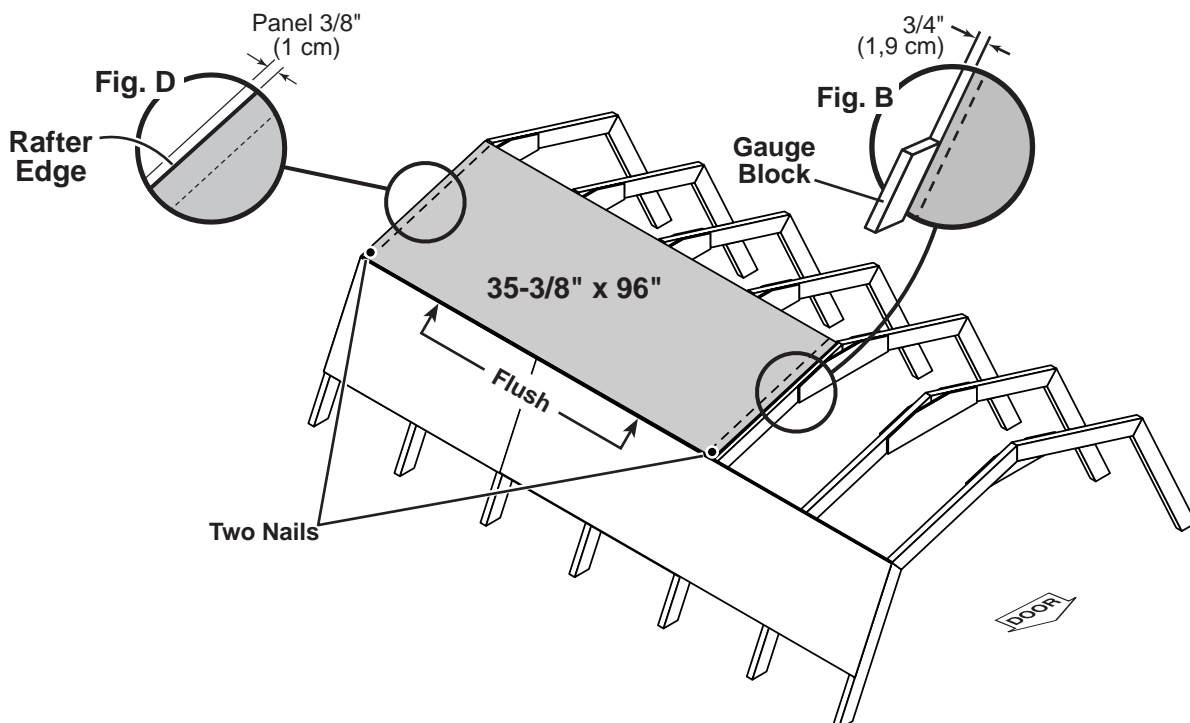


- 4** Maintain spacing between the centers of the rafters by securing panels with (1) 2" nail into each rafter. Secure with (2) nails at seam.



- 5** Install (1) 35-3/8" x 96" roof panel flush with the outer edge of back rafter (**Fig. D**) and flush to top of lower panels. Use the 3/4" gauge block **GAA** to maintain the 3/4" measurement on the rafter (**Fig B**).


Secure panel with (2) 2" nails in the bottom corners.

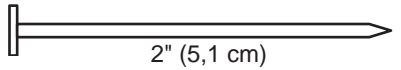


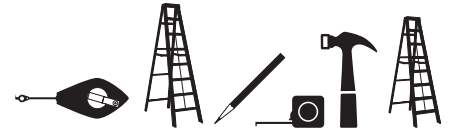


# ROOF PANELS

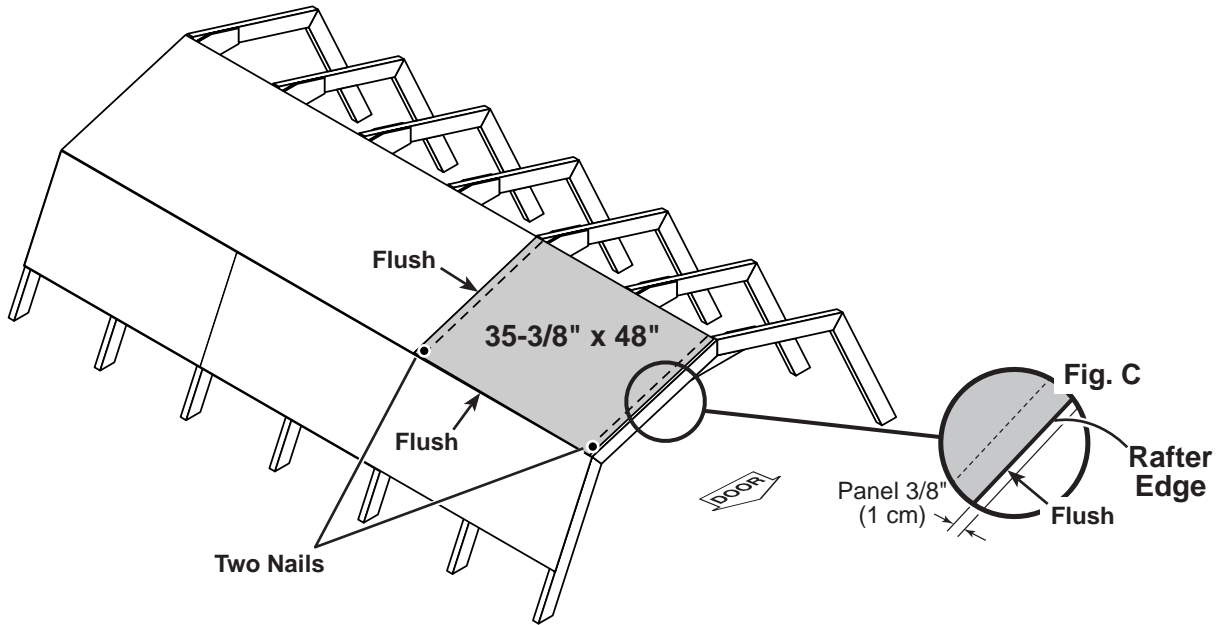
## PARTS REQUIRED:

x1  7/16 x 35-3/8 x 48"  
(1,1 x 89,9 x 121,9 cm)

x10  2" (5,1 cm)

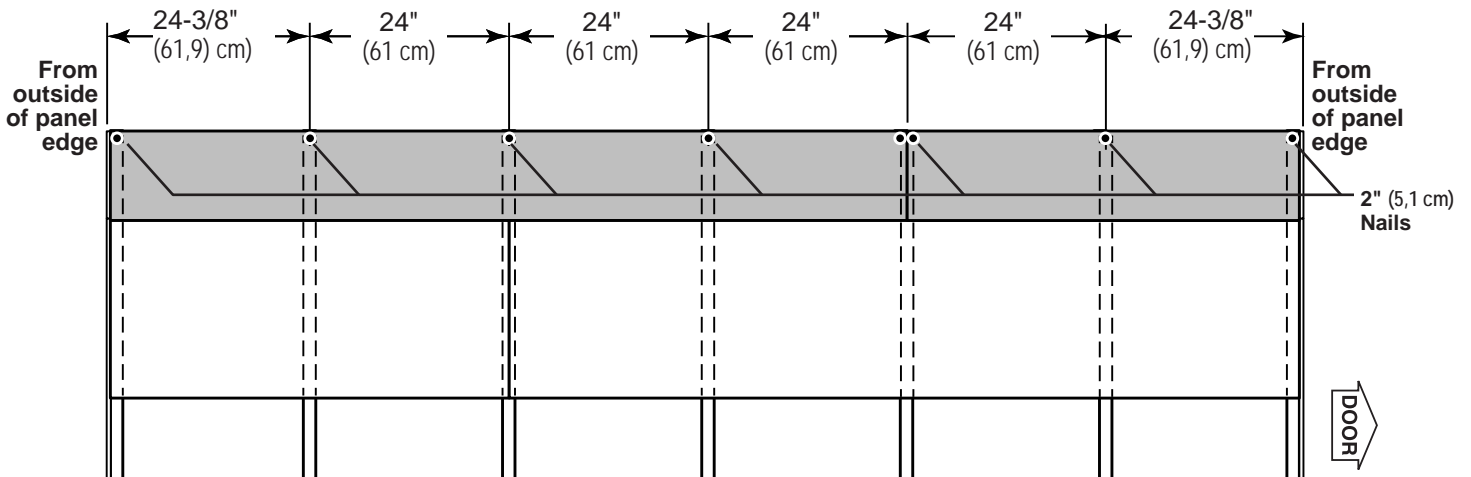


- 6** Install 48" x 35-3/8" roof panel flush with the outer edge of front rafter (**Fig. C**) and flush to the installed panels. Secure panel with (2) 2" nails in the bottom corners.



- 7** Maintain the spacing between the center of the rafters at the upper edge of the panels. Ensure panels are flush to outer rafter edges.

Secure panels with (1) 2" nail into each truss. Secure with (2) nails at seam.

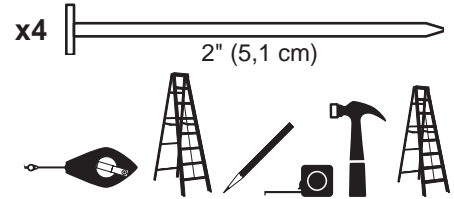


# ROOF PANELS

## PARTS REQUIRED:

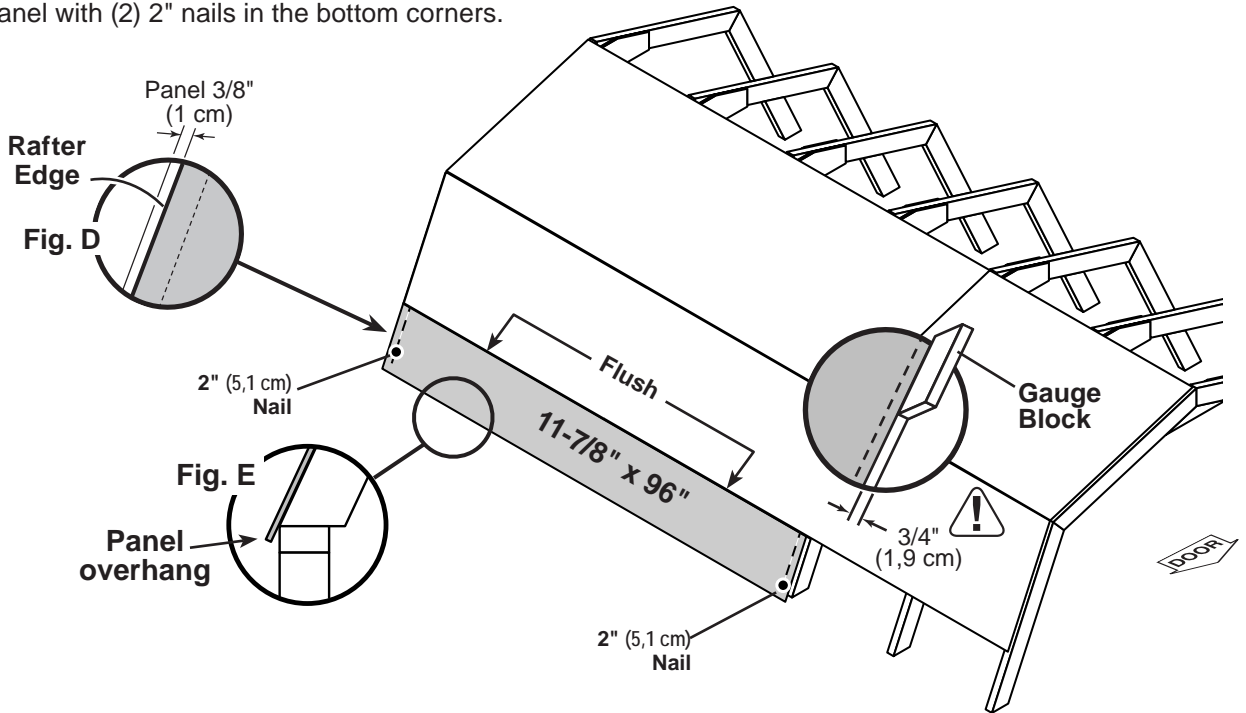
- x1   $7/16 \times 11-7/8 \times 96"$   
(1,1 x 30,2 x 243,8 cm)
- x1   $7/16 \times 11-7/8 \times 48"$   
(1,1 x 30,2 x 121,9 cm)

**GAA**  
3/4" GAUGE  
BLOCK



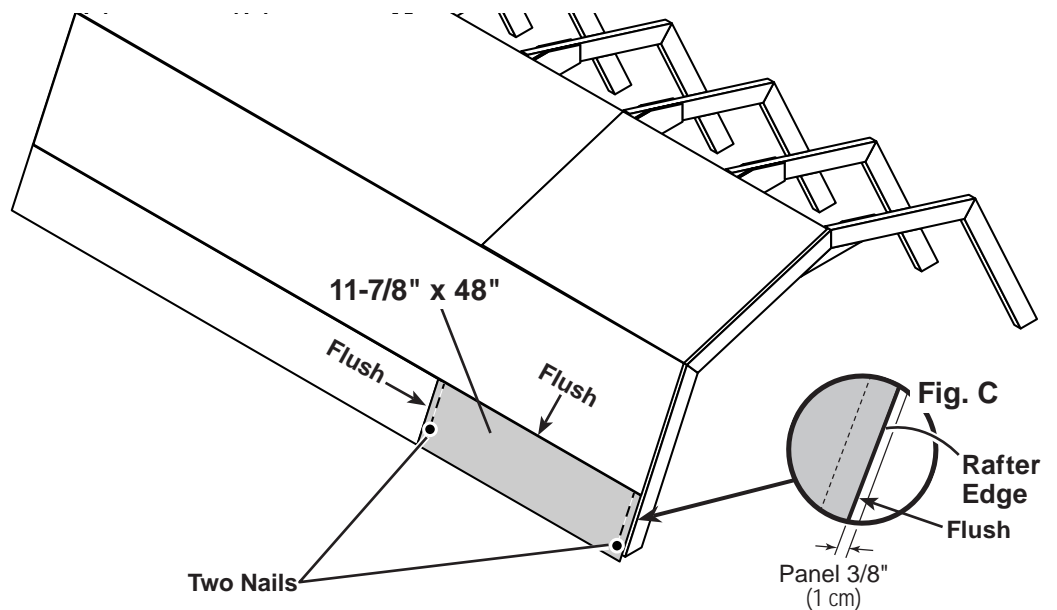
- Install (1) **11-7/8" x 96"** roof panel flush with the outer edge of back rafter (**Fig D**) and flush to the top of installed panels. **Lower edge of panel will overhang (Fig. E).** Use the 3/4" gauge block **GAA** to center panel with a 3/4" measurement on the rafter.

Secure panel with (2) 2" nails in the bottom corners.



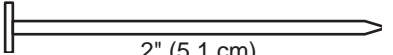
- Install (1) **11-7/8" x 48"** roof panel flush with the outer edge of front rafter (**Fig C**) and flush to the installed panels.

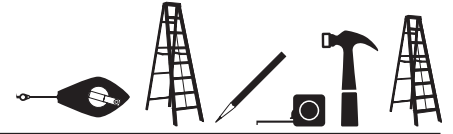
Secure panel with (2) 2" nails in the bottom corners.



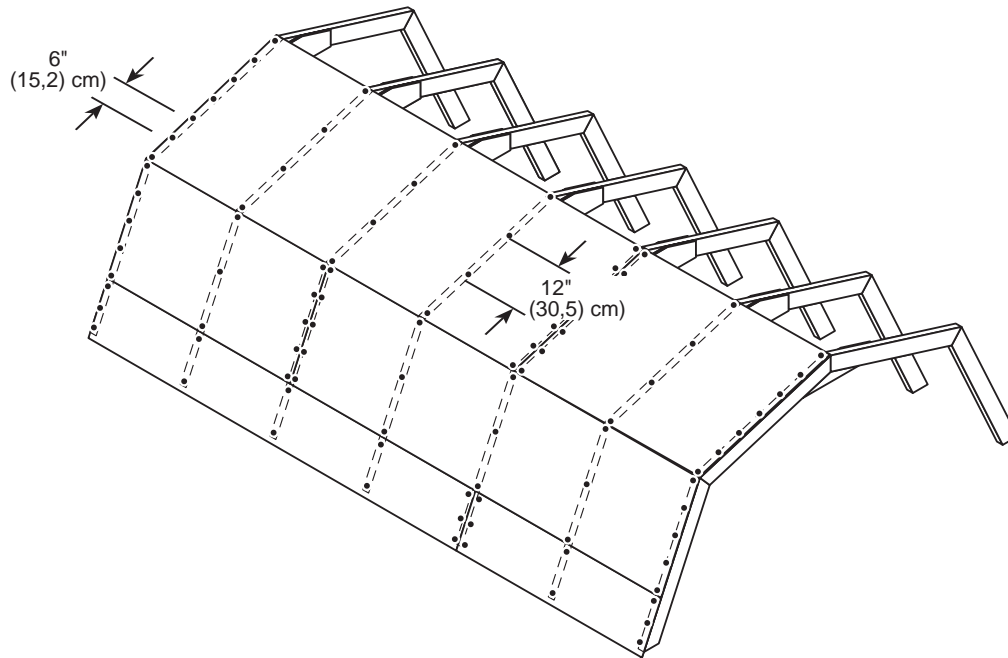
## ROOF PANELS

### PARTS REQUIRED:

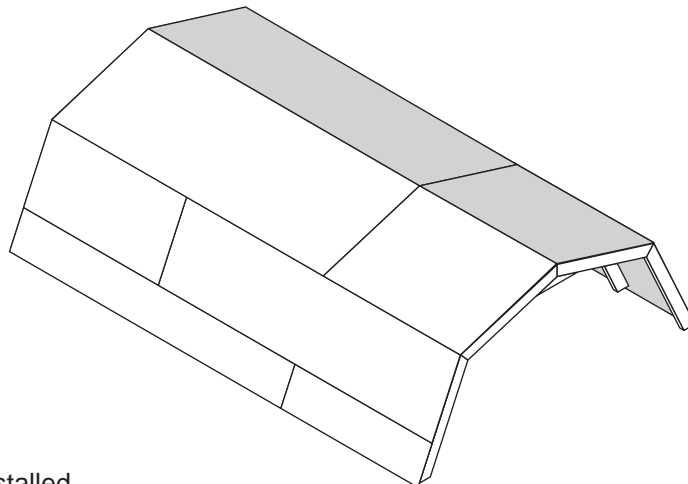
x144  2" (5,1 cm)



- 10** Secure all roof panels with 2" nails spaced 6" apart on edges and 12" apart inside panel.



*Repeat steps to install roof panels on the opposite side.*




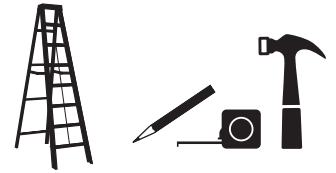
Your roof panels are now installed.

# GABLE TRIM

## PARTS REQUIRED:

x2	ZHR	2 x 4 x 35-3/4" (2,5 x 10,26 x 90,8 cm)
x2	ZHL	2 x 4 x 35-3/4" (2,5 x 10,26 x 90,8 cm)
x2	DBR	2 x 4 x 36-3/4" (2,5 x 10,26 x 93,3 cm)
x2	DBL	2 x 4 x 36-3/4" (2,5 x 10,26 x 93,3 cm)

x40  2" (5,1 cm)



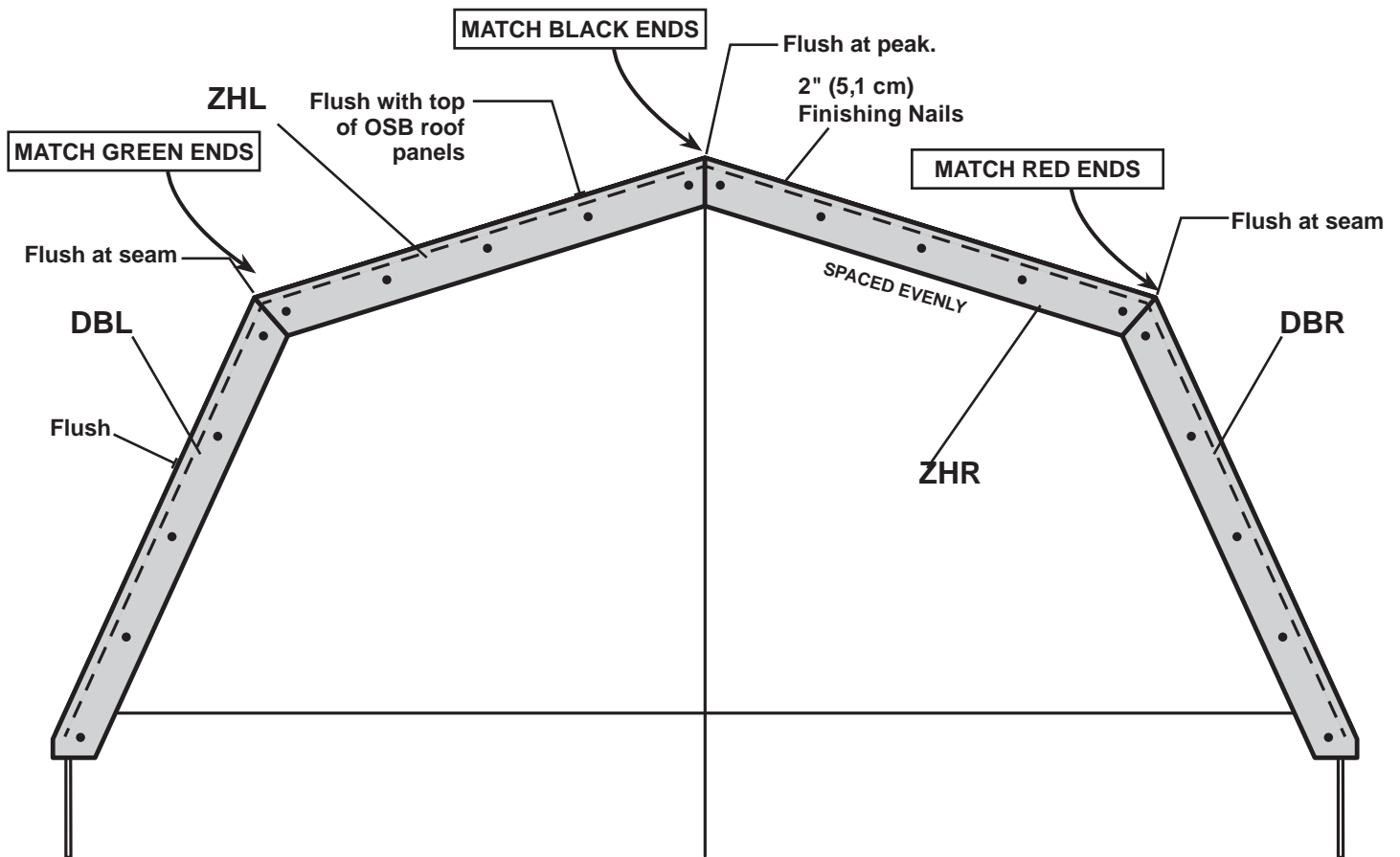
### ✓ BEGIN

- 1 Position upper trim **WHX** as shown. Match black ends at peak.  
Ensure top of **WHX** are flush to top of OSB roof panels.  
Secure with 2" finishing nails spaced evenly.

 **Hint: Pre-set nails in trim before final installation.**

- 2 Flush lower trim **DBR** with **WHX** and top of OSB roof panels. Match red ends.  
Secure with 2" finishing nails spaced evenly.

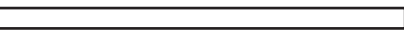
*Repeat steps for the opposite side of shed.*




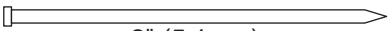
Your gable trim is now installed.

## SIDE TRIM

### PARTS REQUIRED:

x4   
3/8 x 1-3/4 x 45-3/8" (1,0 x 7,6 x 115,3 cm)

x4   
3/8 x 1-3/4 x 72-3/8" (1,0 x 7,6 x 183,8 cm)

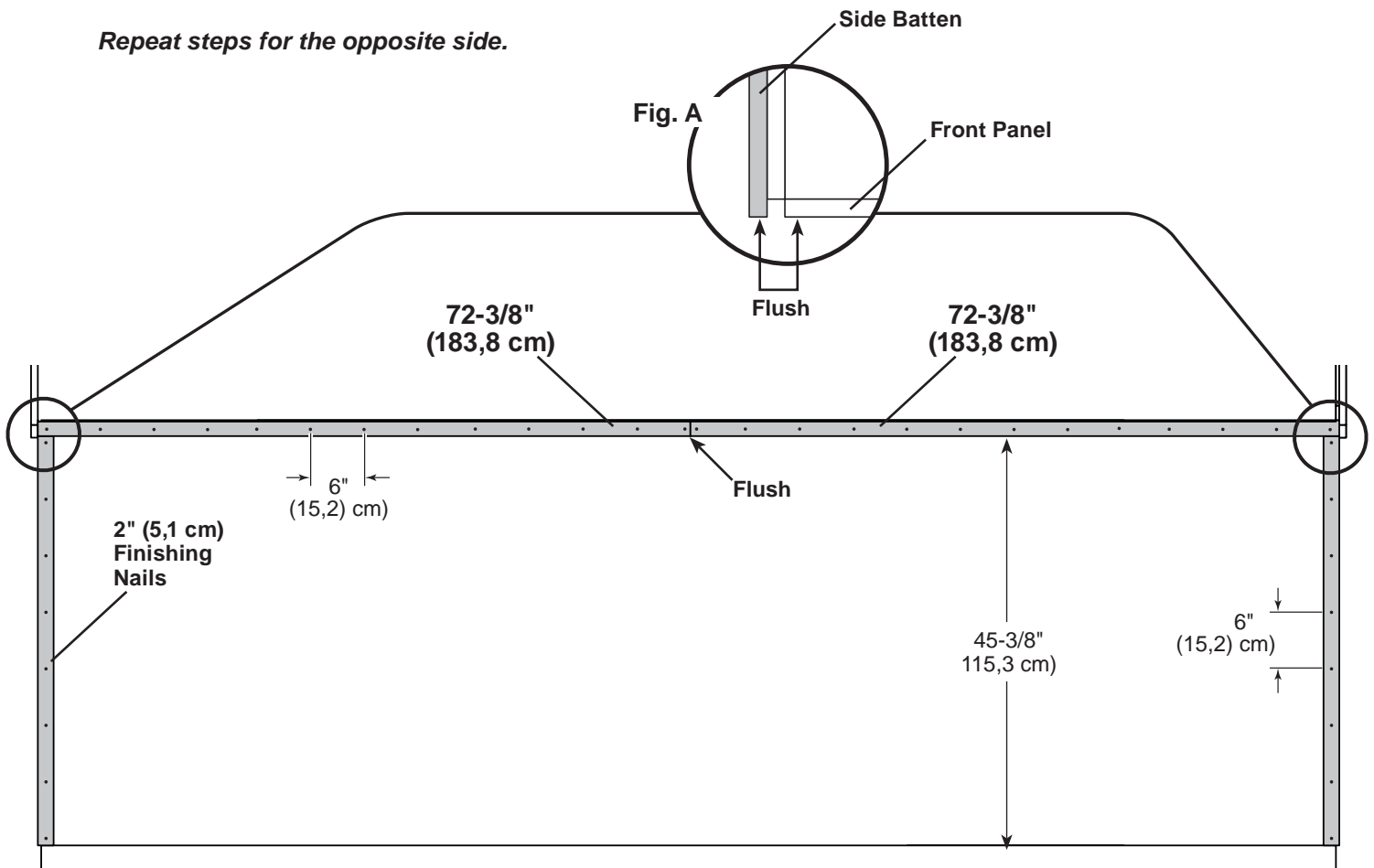
x84  2" (5,1 cm)



### ✓ BEGIN

- 1 Locate (2) 1-3/4" x 72-3/8" horizontal trim at the top of side wall. Push trim up flush to overhang of roof panels. Secure with 2" finishing nails 6" apart.
- 2 Install (2) 1-3/4" x 45-3/8" vertical corner trim at the top of side wall, and flush with outside of front and back wall panels (**Fig. A**). Secure with 2" finishing nails spaced 6" apart.


*Repeat steps for the opposite side.*

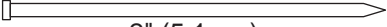


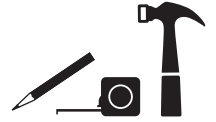
Your side trim is now installed.

# CORNER TRIM

## PARTS REQUIRED:

x4   
3/8 x 1-3/4 x 45-3/8" (1,0 x 7,6 x 115,3 cm)

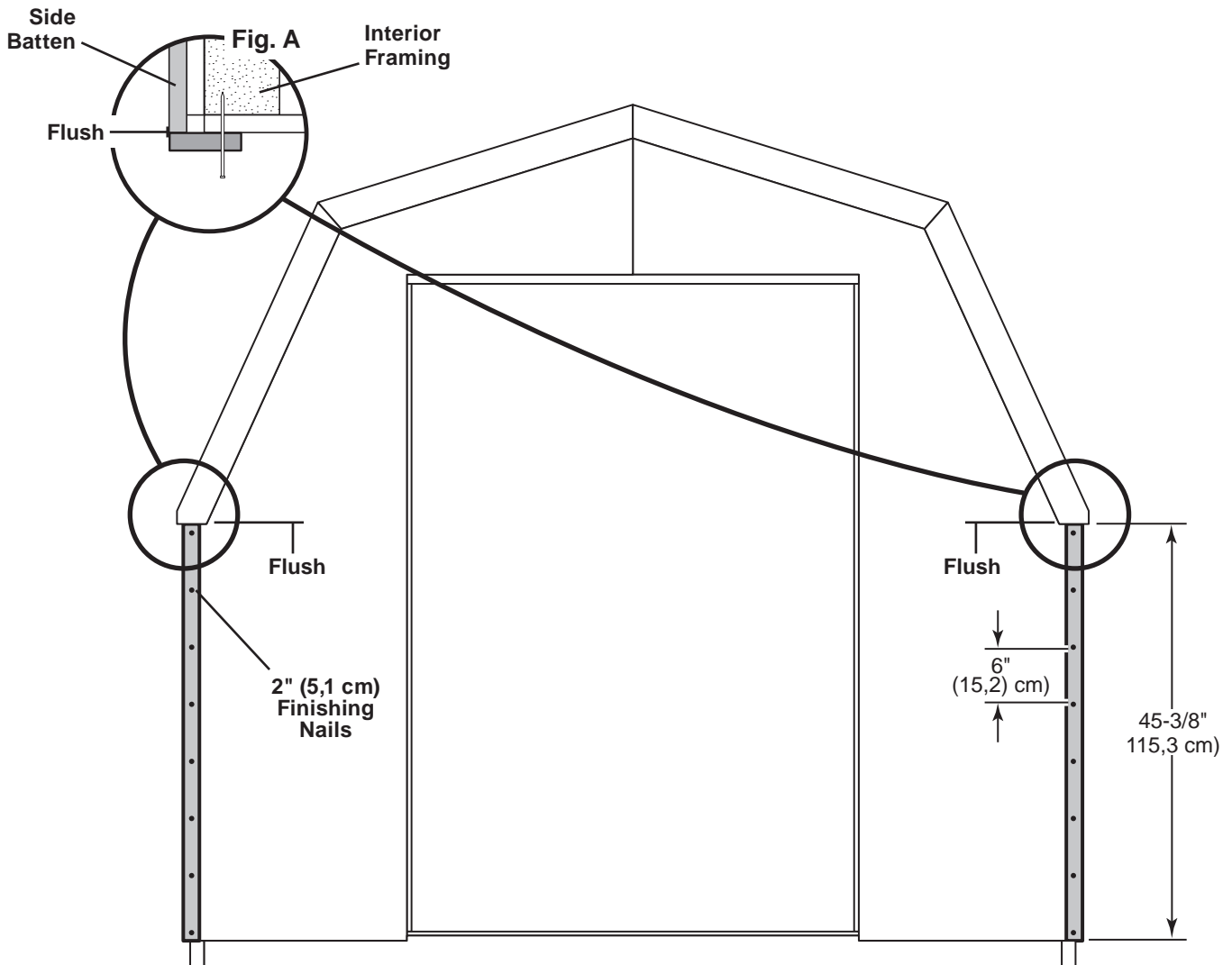
x32   
2" (5,1 cm)



### ✓ BEGIN

- 1 Install (2) 1-3/4" x 45-3/8" vertical battens on the front of shed. Battens are flush to the outside of side wall battens (**Fig. A**) and flushed up to bottom of gable trim.  
Secure with 2" finishing nails spaced 6" apart. Nail into interior framing.

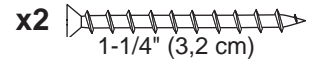
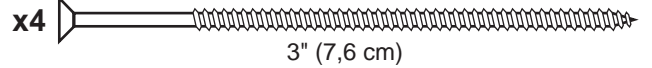
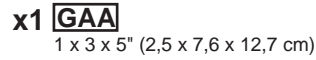
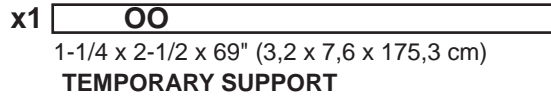
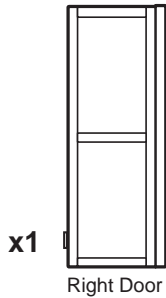
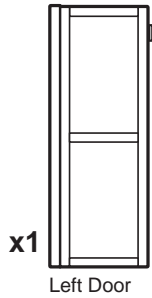
*Repeat steps for the opposite side.*



Your corner trim is now installed.

# DOORS

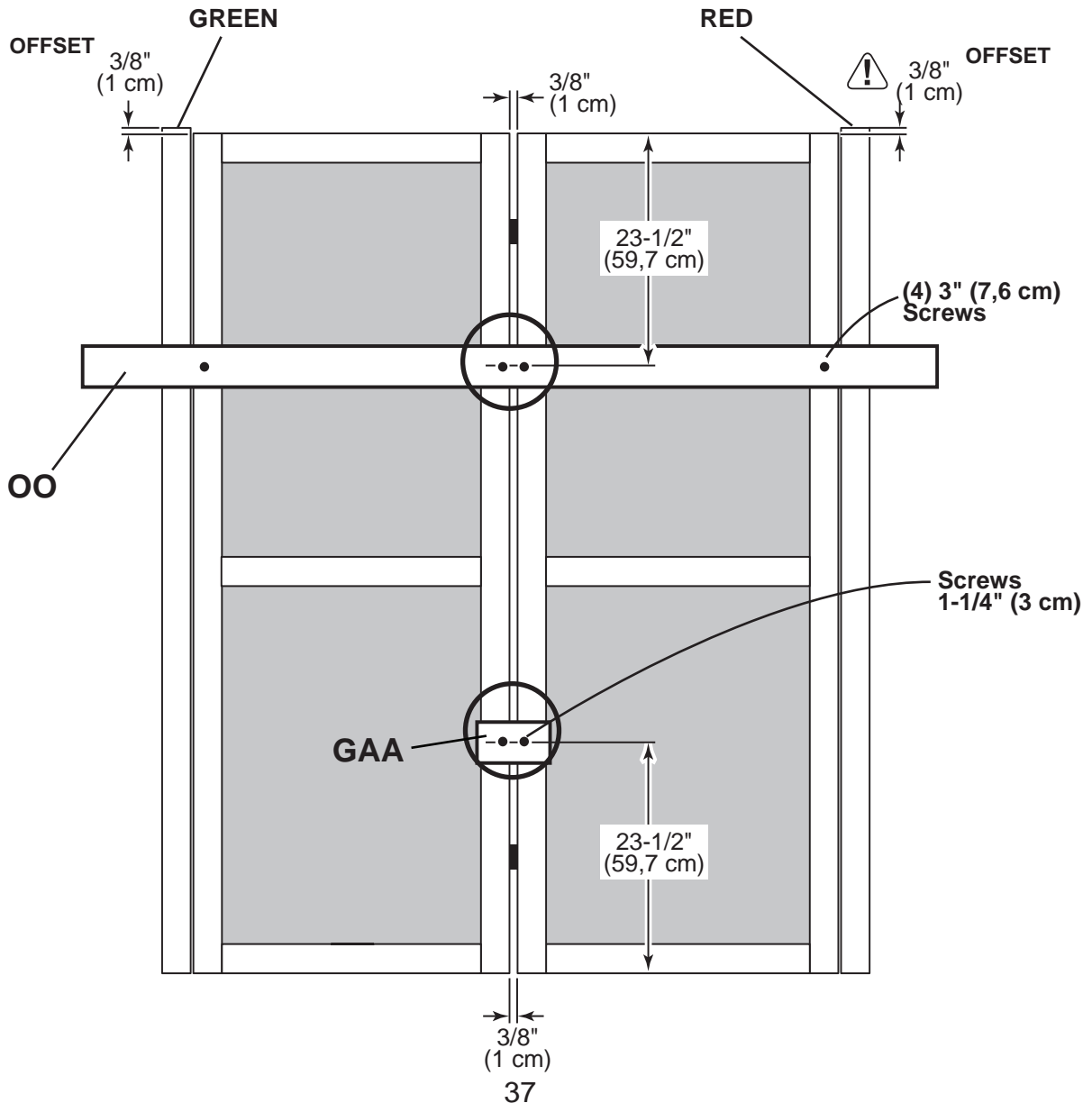
## PARTS REQUIRED:



✓ **BEGIN**

**1** Arrange parts as shown, on a flat surface. **⚠ 3/8" offset is to top.**  
Look for red (right) and green (left) on hinge board.


**2** Fasten temporary support **OO** with 3" screws in middle and at ends.  
Fasten temporary support **GAA** with (2) 1-1/4" screws.

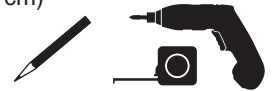


# DOORS

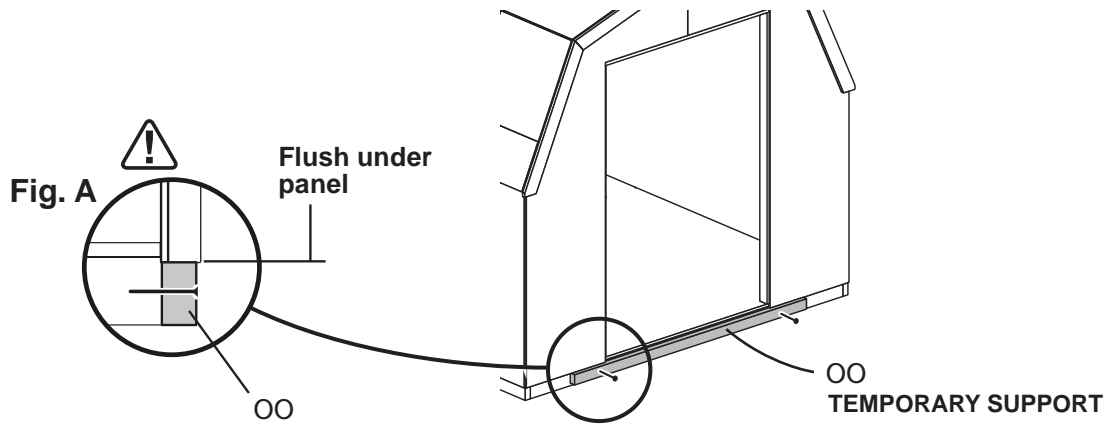
## PARTS REQUIRED:

x1 **OO** Temporary Support  
69" Door Stiffener (175,3 cm)

x12  3" (7,6 cm)



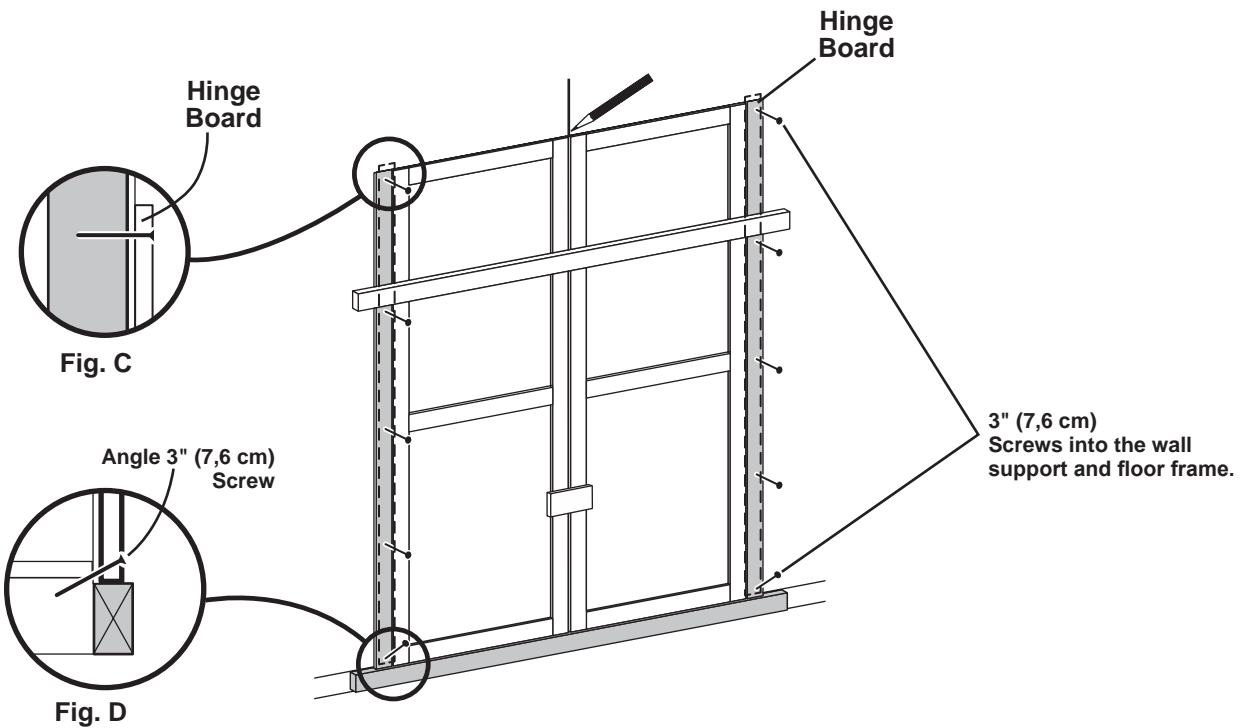
- 3** Install temporary support **OO** flush under wall panels for doors to rest on, Secure with (2) 3" screws (**Fig. A**).



- 4** Center doors in door opening.  
Screw hinge boards into wall studs and floor with 3" screws as shown.

 **Make sure screws go into framing and floor (Fig. C, D).**

*Remove temporary supports and check that the doors open properly.*




Your doors are now installed.

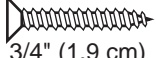


# DOOR

## PARTS REQUIRED:

x1 **ZB**  
19/32 x 2-1/2 x 55" (1,5 x 6,3 x 139,7 cm)

x5  2" (5,1 cm)

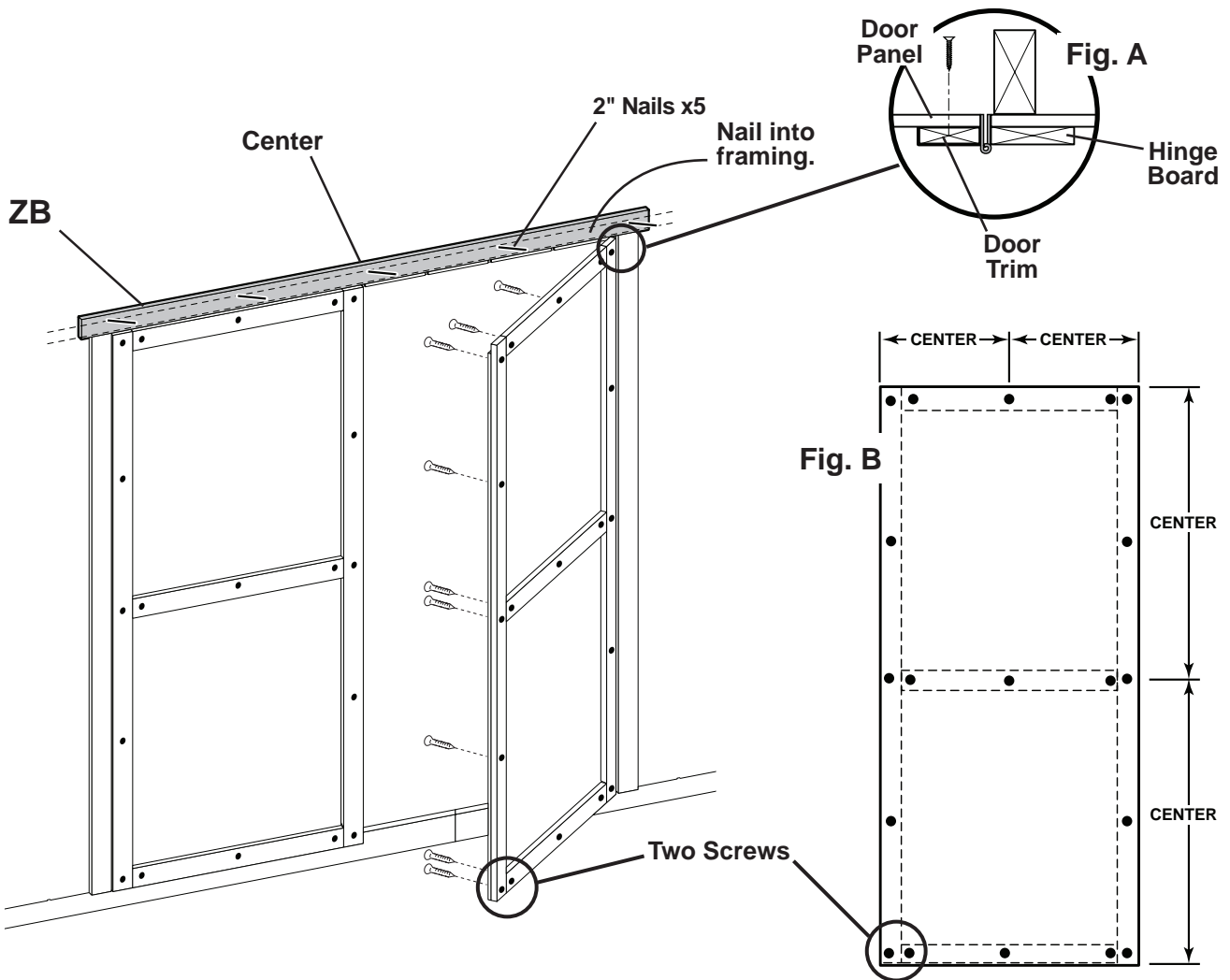
x38  3/4" (1,9 cm)



### ✓ BEGIN

**1** Reinforce the door trim with 3/4" screws through door panel into trim (**Fig. A**).  
Locate screws as shown in **Fig. B**. Use two screws at seams.

**2** Center trim **ZB** over doors and secure with 2" finishing nails into framing, as shown.



You have now installed and reinforced your door trim.

# DOOR STIFFENERS

## PARTS REQUIRED:

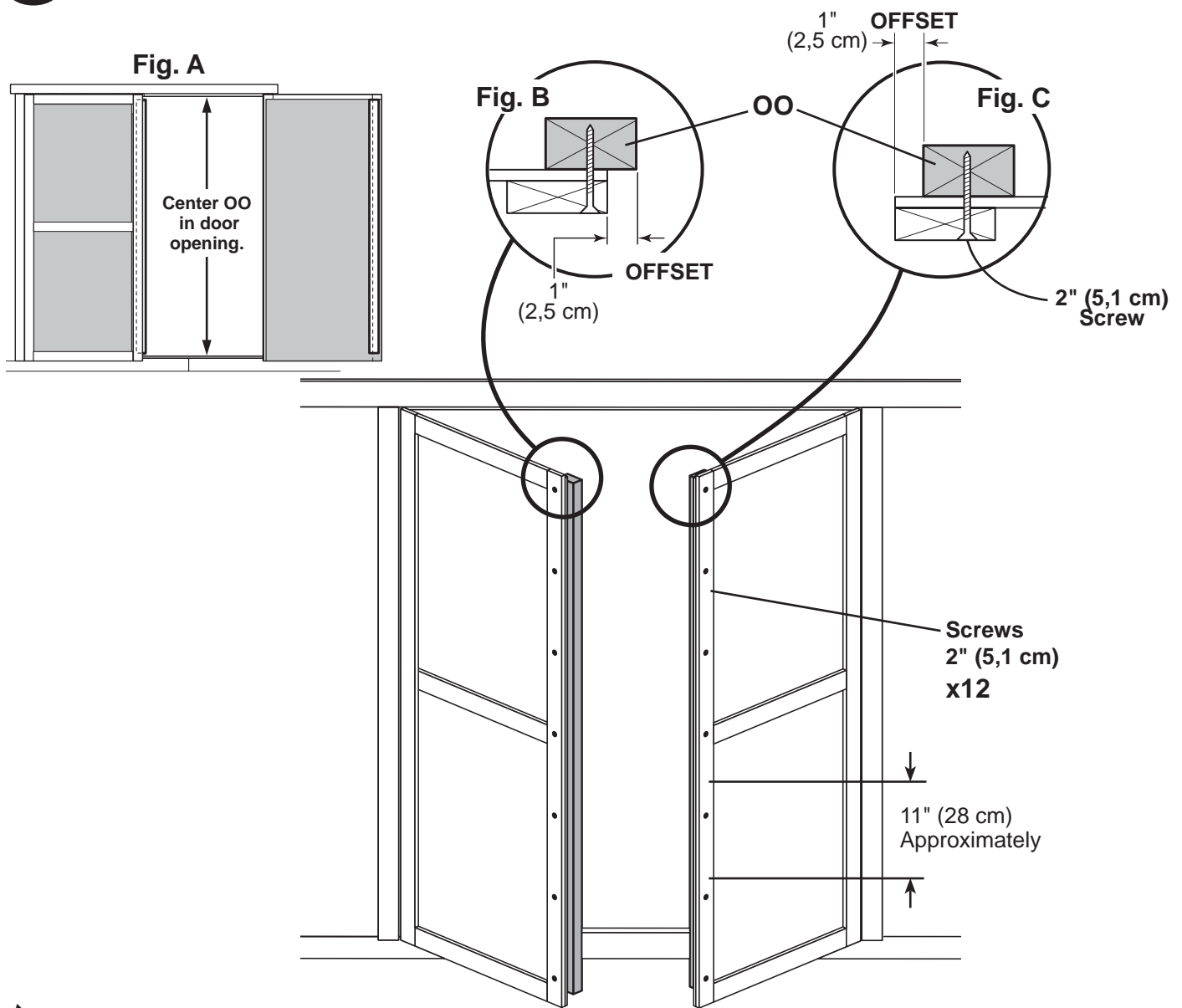
x2 **OO**  
69" Door Stiffener (175,3 cm)

x14  2" (5 cm)



### ✓ BEGIN

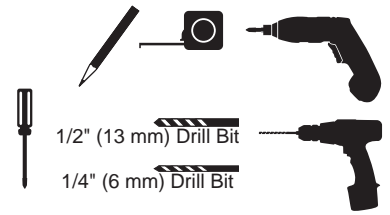
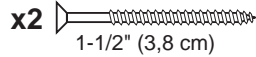
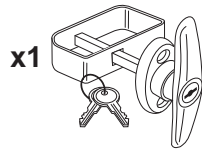
- 1 With left door closed, center a door stiffener **OO** vertically on the left door in the door opening (**Fig. A**). **OO** will offset the left door 1" *OUT* past the door trim 1" (**Fig. B**).
- 2 Secure **OO** with (7) 2" screws through outside trim into **OO** (**Fig. B**)
- 3 On right door center **OO** vertically in door opening (**Fig. A**). **OO** will offset the right door 1" *IN* from the door trim (**Fig. C**).
- 4 Secure **OO** with (7) 2" screws through outside trim into **OO** (**Fig. C**).



Your door stiffeners are now installed.

# DOOR HARDWARE


## PARTS REQUIRED:

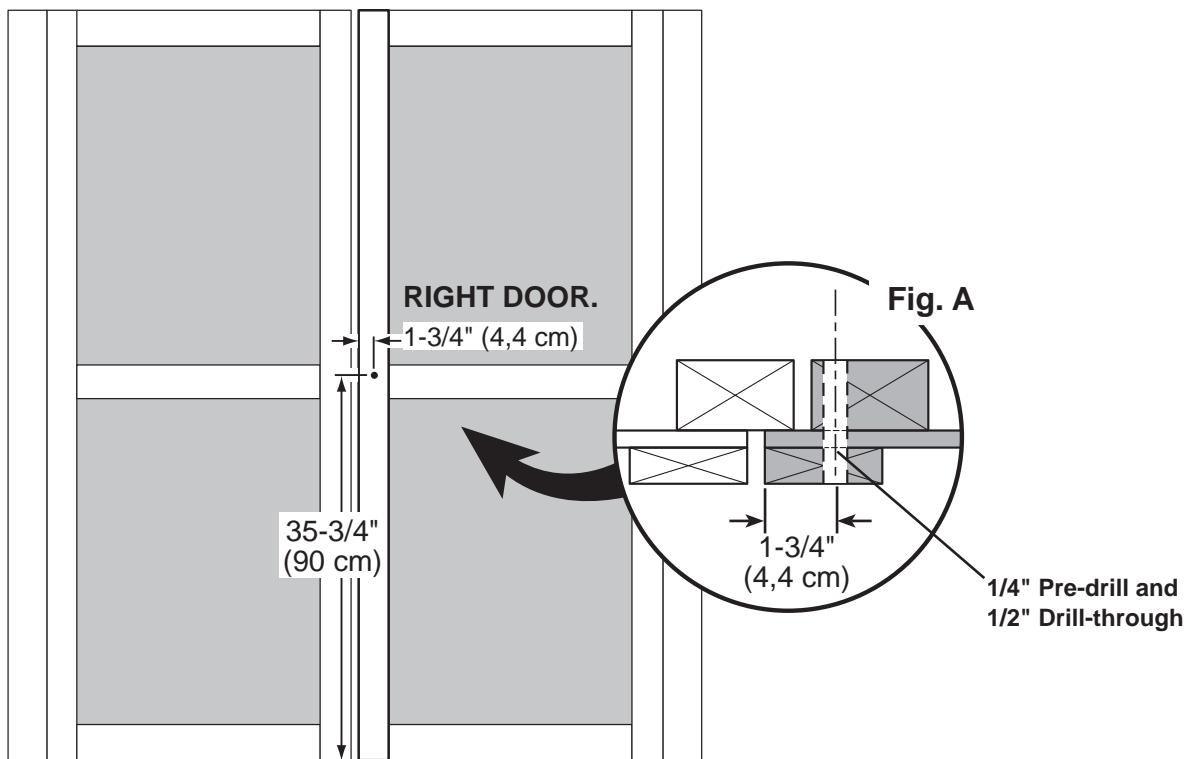


### ✓ BEGIN

**1** Measure and mark location of hole on outside of right door as shown (**Fig. A**). Pre-drill hole with 1/4" drill.

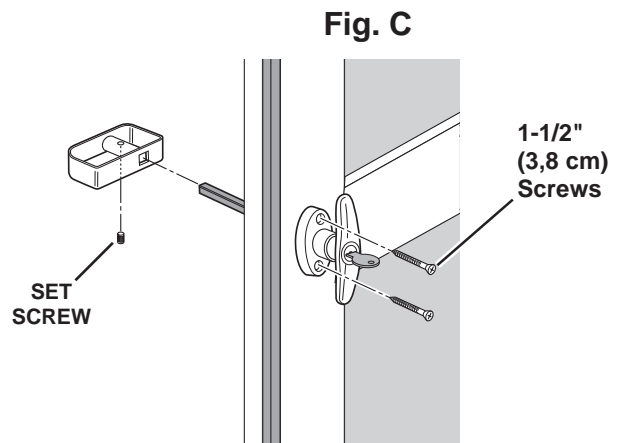
**2** Re-drill hole with 1/2" drill (**Fig. A**).

 Keep drilled hole square to trim to avoid breaking edge of 1-1/4" x 2-1/2" door stiffener.



**3** Insert handle in hole and secure with 1-1/2" screws.

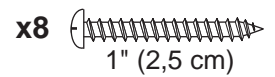
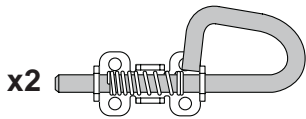
**4** Attach inside handle and secure with set screw as shown.



Your your door handle is now installed.

# SPRING BOLTS

## PARTS REQUIRED:



### ✓ BEGIN

- 1 Place bolt onto **OO** in open position with bolt end 3/8" down from frame. Bolt is open when loop is contacting base (**Fig A**).

Mark and pre-drill holes for screws.

- 2 Install bolt with screws supplied and drill 5/16" hole for bolt to extend into.

- 3 Place bolt onto **OO** in open position with bolt end 1/2" up from floor. Bolt is open when loop is contacting base (**Fig B**).

Mark and pre-drill holes for screws.

- 4 Install bolt with screws supplied and drill 5/16" hole for bolt to extend into.

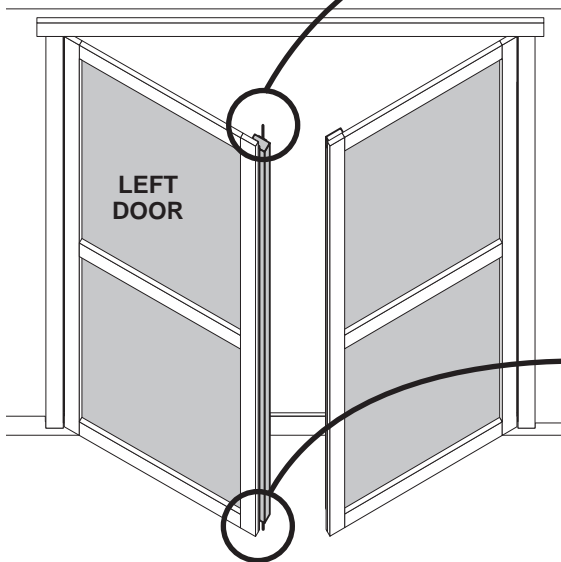


Fig. A

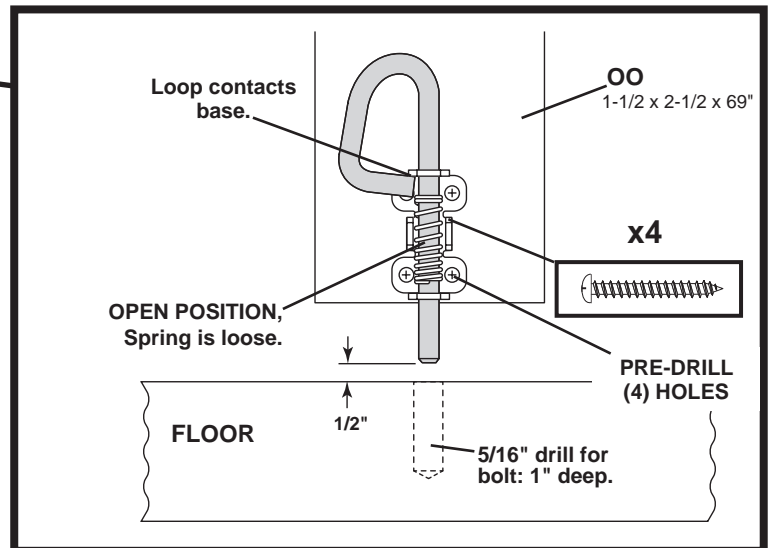
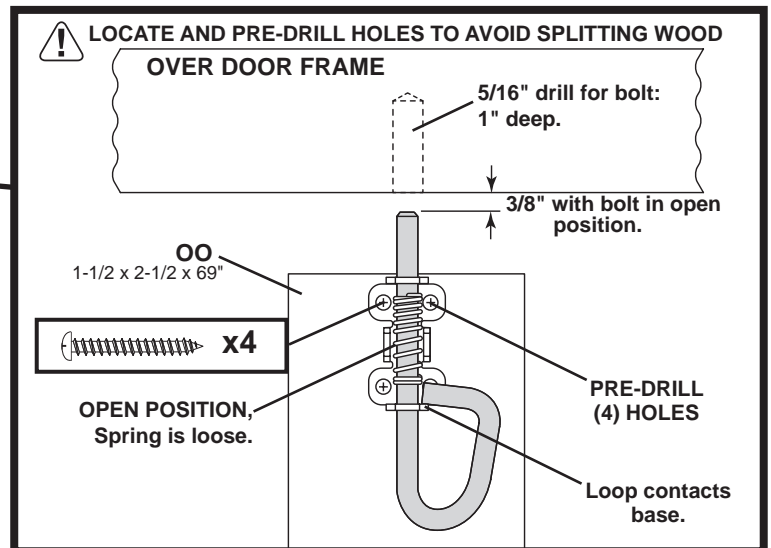


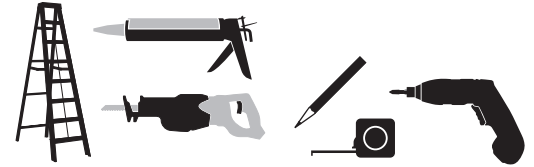
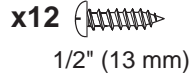
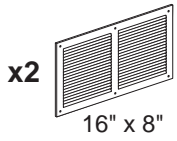
Fig. B



Your spring-bolts are now installed.

# VENTS

• Follow directions provided by manufacturer and these instructions.



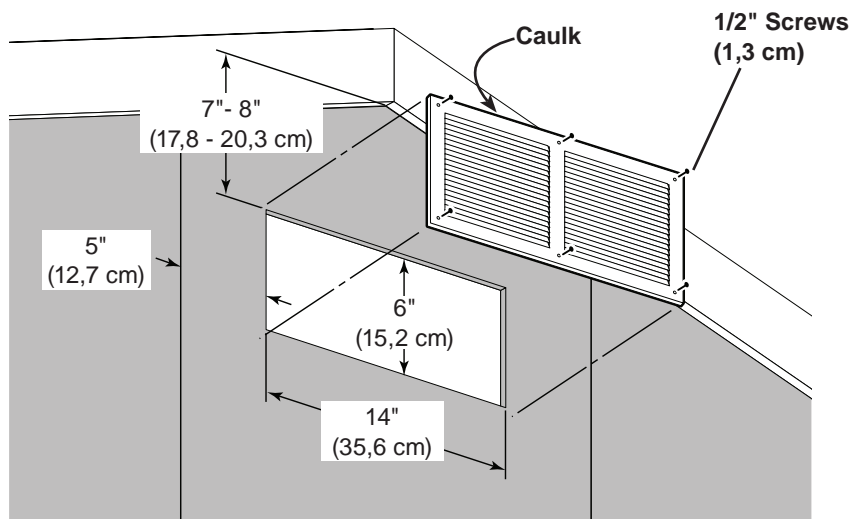
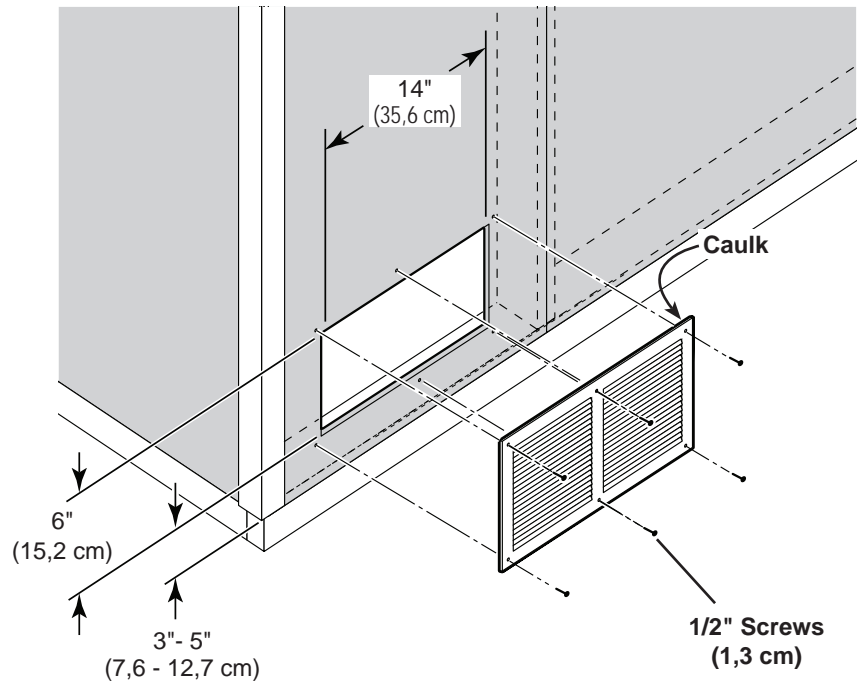
## ✓ BEGIN

**1** Choose locations for (2) vents on opposite side walls, (1) at top and (1) at bottom.

Cut out marked openings.

Caulk behind vent flanges.

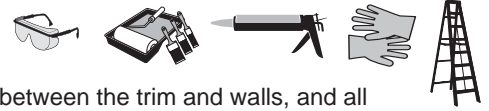
Secure with 1/2" screws.



Your vents are now installed.

## PAINT & CAULK

- NOT INCLUDED -



- Use acrylic latex caulk that is paintable. Caulk at all horizontal and vertical seams, between the trim and walls, and all around the door trim.
- Use a high quality exterior acrylic latex paint. When painting your building, there are a few key areas that can be easily overlooked that must be painted:
  - Bottom edge of all siding and trim
  - Inside of doors and all 4 edges

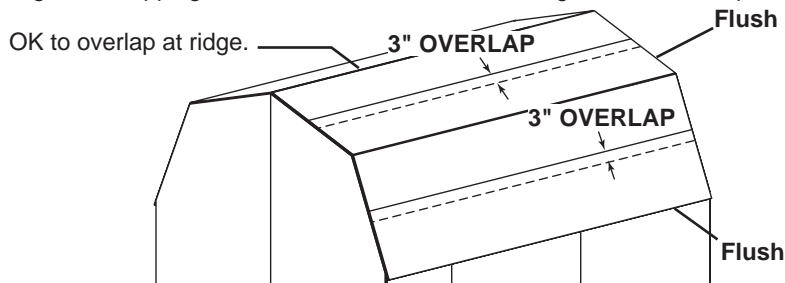
### Note:

Prime all un-primed exterior wood before painting.  
(Follow directions provided by manufacturer.)

## ROOF FELT

- NOT INCLUDED -

- Install felt flush to all roof edges overlapping 3". Use minimal amount of roofing nails to hold in place.

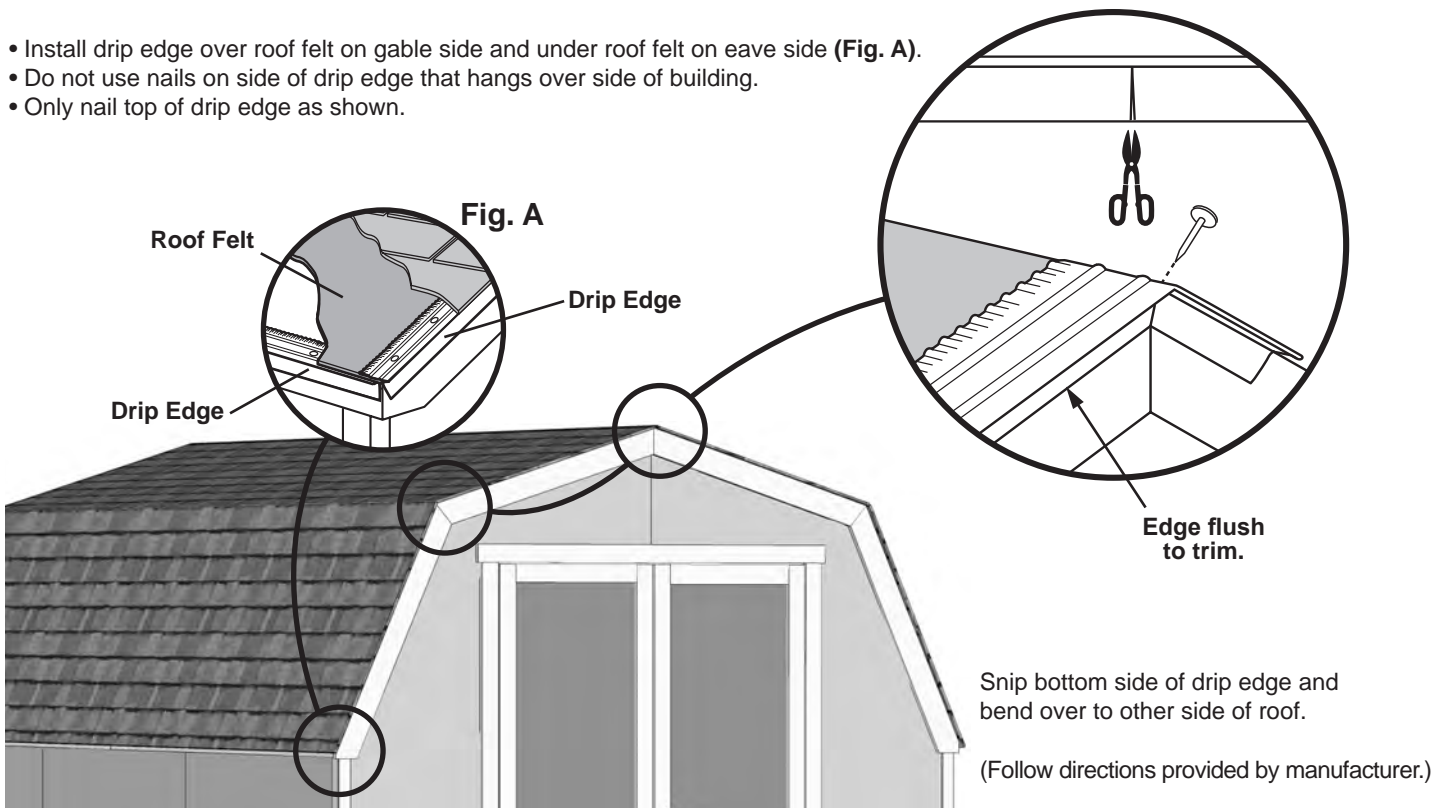


## DRIP EDGE

- NOT INCLUDED -



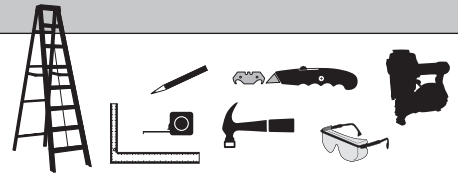
- Install drip edge over roof felt on gable side and under roof felt on eave side (**Fig. A**).
- Do not use nails on side of drip edge that hangs over side of building.
- Only nail top of drip edge as shown.



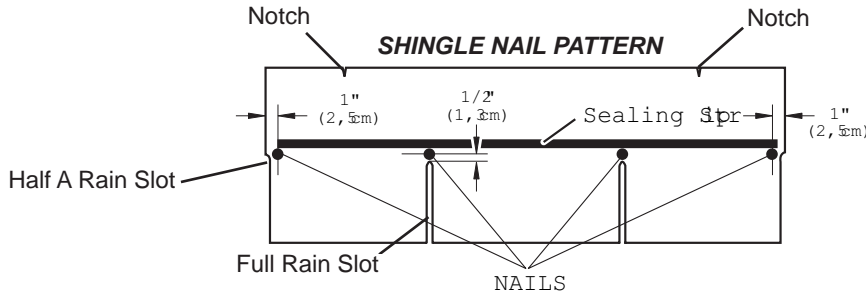
# SHINGLES

- NOT INCLUDED -

• Follow directions provided by manufacturer and these instructions.



**!** Familiarize yourself with a 3-Tab Shingle.

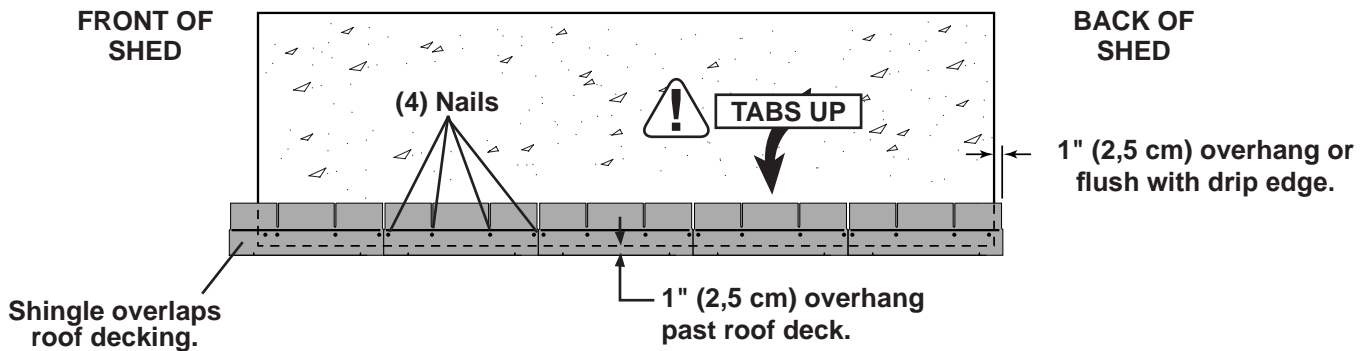


**!** NEVER DRIVE FASTENERS INTO OR ABOVE SEALING STRIPS.

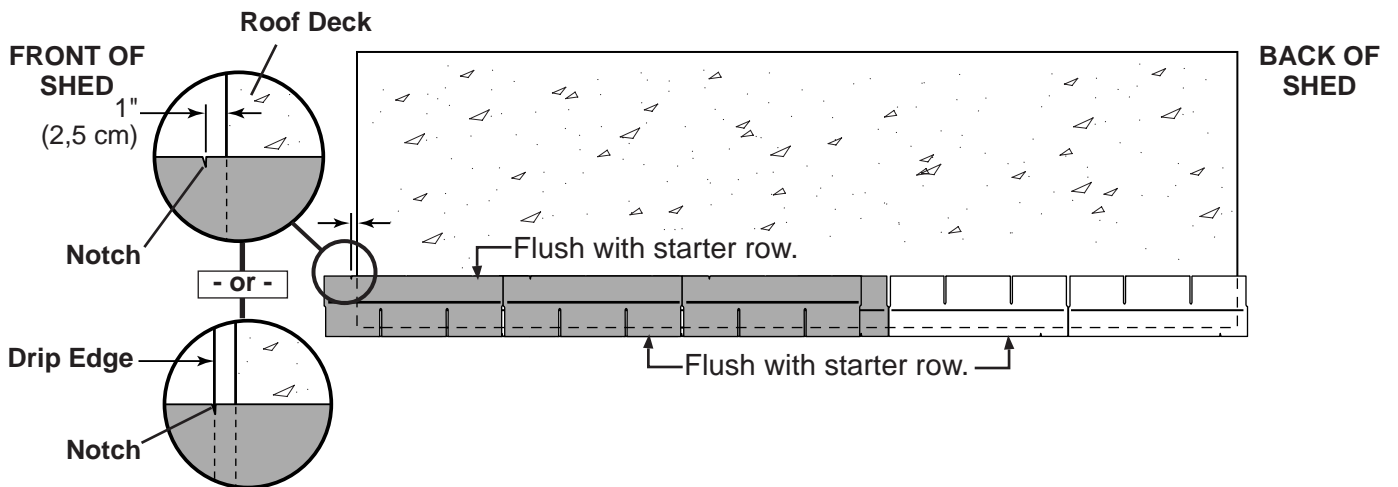
**✓** BEGIN

**1** Install first starter row upside down and color up with a 1" overhang at back and bottom of roof panel. Use (4) nails per shingle. Starter row must be straight and level all the way across with lower edge of roof deck.

**NOTE:** If you have installed drip edge install shingles flush to drip edge.



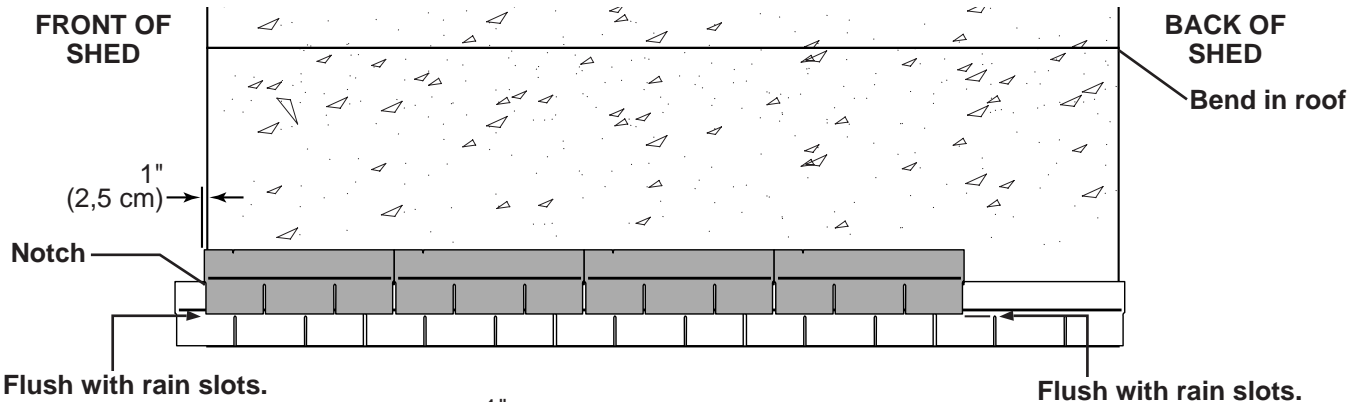
**2** Beginning at front of shed, install first row of shingles with notch at 1" past roof edge or flush with drip edge.



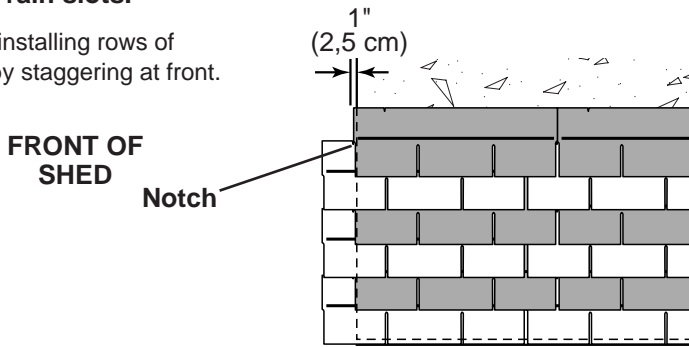
# SHINGLES

continued...

- 3** Install second row of shingles flush at top of first row's rain slots. Ensure 1" overhang or flush to drip edge at front, stagger each row.



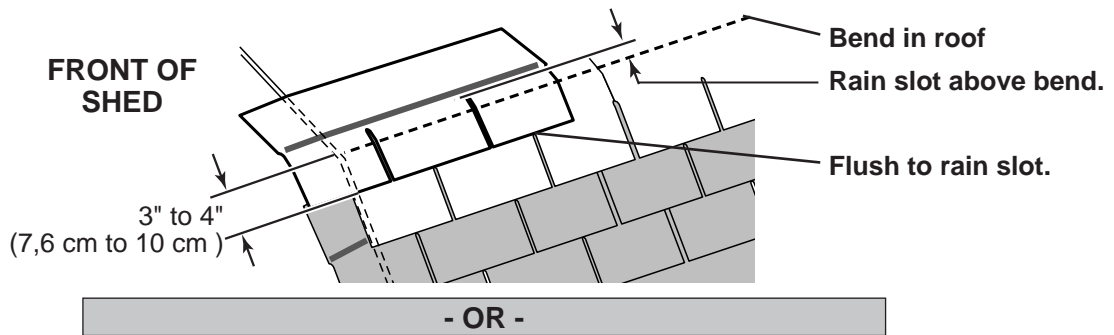
- 4** Continue installing rows of shingles by staggering at front.



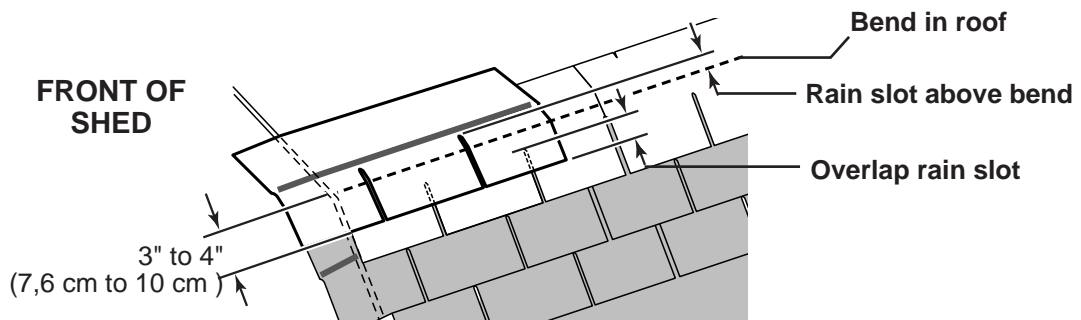
- 5** The shingle over the bend in the roof will be nailed down. You will need 3" to 4" of this shingle to extend downward over the bend for nailing.

Look for either of the following:

- If the rain slot of the shingle installed over the bend is ABOVE the bend and 3" to 4" of it overhangs down over the bend, continue shingling up to the peak. You have enough to nail shingle down over the bend.



- If the rain slot of the shingle installed over the bend is BELOW the bend, install the shingle over the bend and overlap the rain slot to get the 3" to 4" overlap.



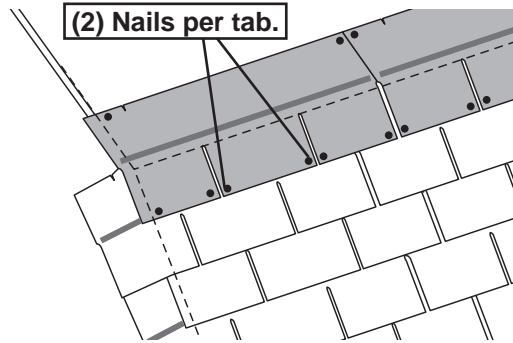
**!** The shingle OVER the bend must be installed with a 3" to 4" overlap **AND** the rain slot above the bend.



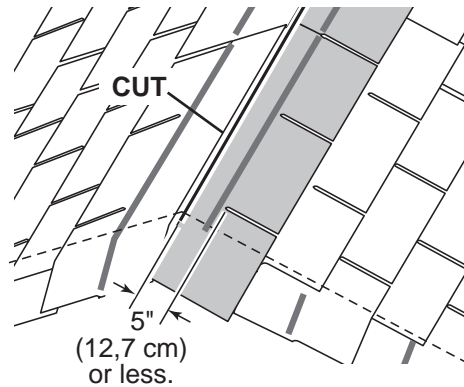
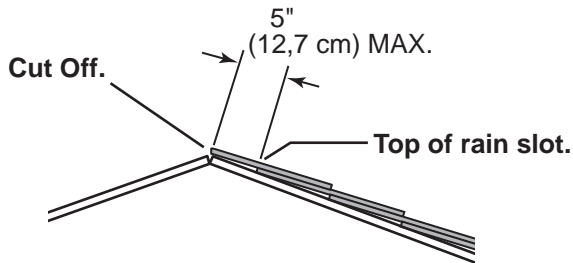
# SHINGLES

continued...

- 6 After shingles are installed over bend, nail down overlap using two roofing nails per tab.



- 7 Continue installing rows of shingles to the peak. At the peak make sure there is a maximum of 5" or less to the rain slot, as shown below. If shingles overlap at ridge cut to peak with a utility knife.

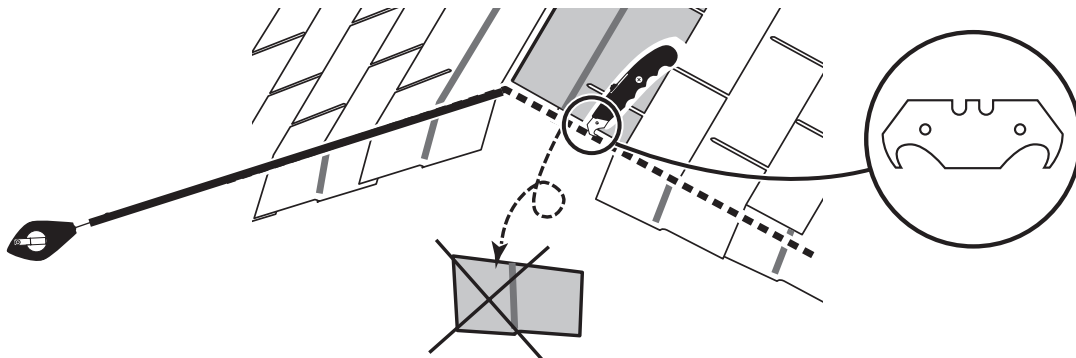


- ! • If more than 5" to rain slot you must install another row of shingles.

- 8 Repeat steps 1 - 7 to shingle the opposite side of your roof. Trim shingles at ridge.

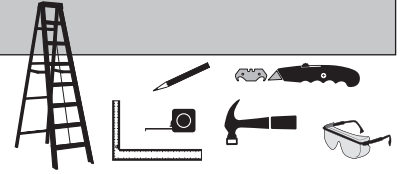
- 9 Once both sides are shingled you need to trim ends. Strike a chalk line 1" from edge.

- 10 Using your shingle hooked blade carefully cut shingles along chalk line.



You have finished shingling your roof. Proceed to capping the ridge.

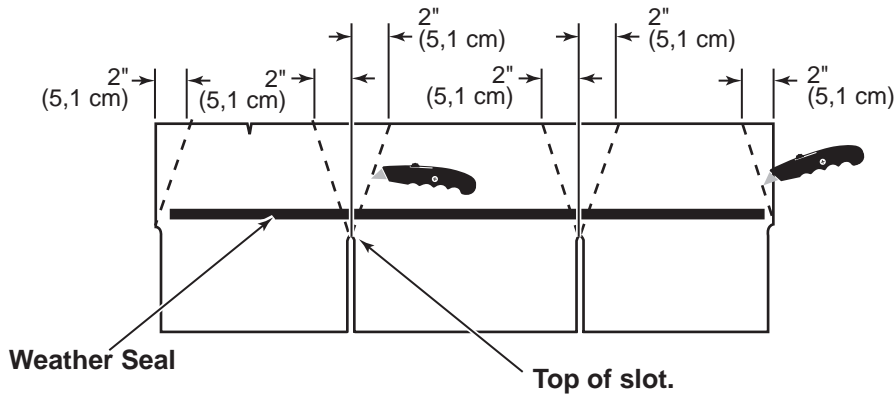
# SHINGLES - RIDGE CAP



• You will finishing off the top of the roof with a ridge cap made from shingles.

**BEGIN**

**1** Cut shingles into THREE pieces. **Hint:** Use cut-off pieces first.

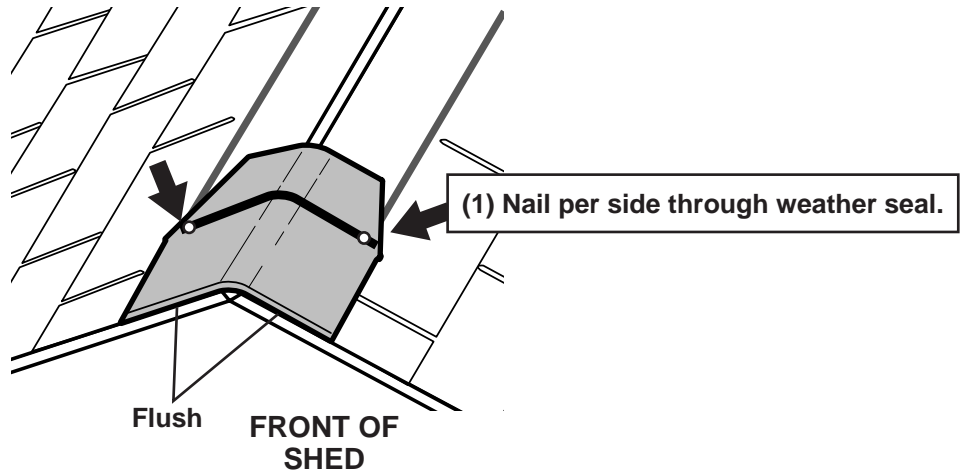


**Score shingle, then snap-off angled cut.**

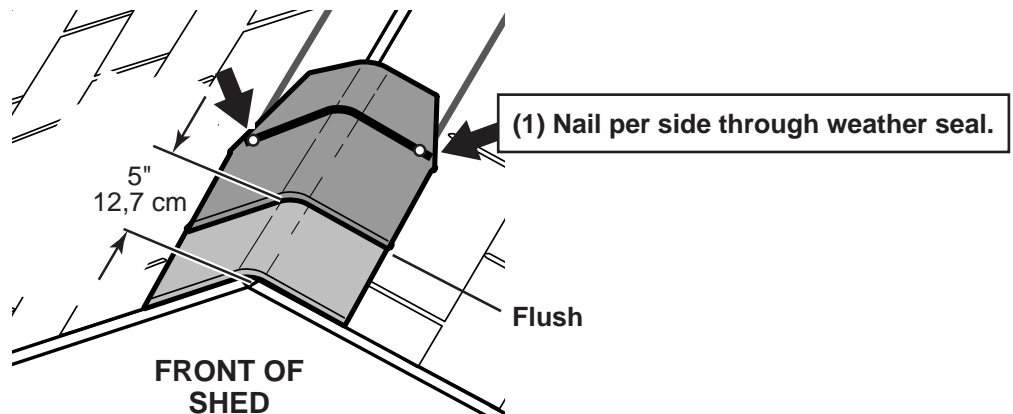
**Note:** You will need about 30 - 32 cut pieces.

**30 to 32 Pieces**

**2** Install first ridge cap flush to shingles at front, as shown.



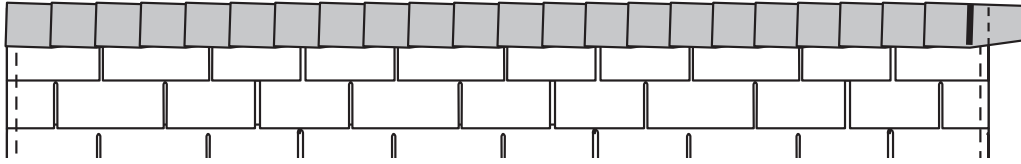
**3** Install second ridge cap 5" back, as shown.



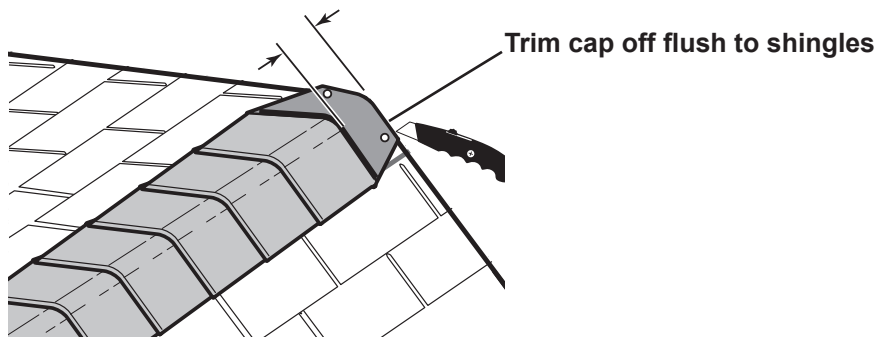
# SHINGLES - RIDGE CAP

continued...

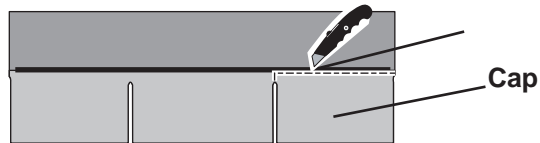
4 Continue installing ridge cap to back of roof.



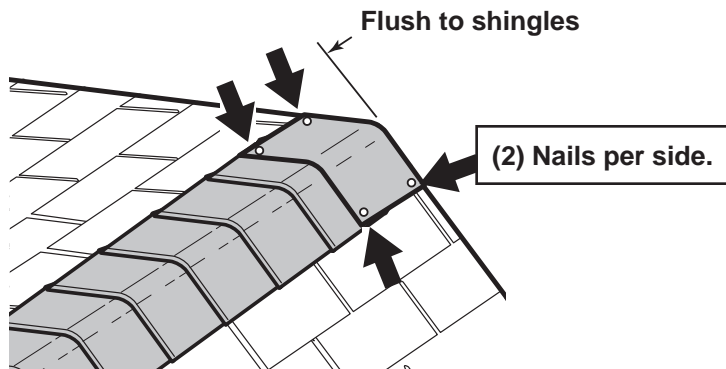
5 Make sure there is 4" between the shingle-color and edge of shingles.



6 When you have 4" minimum of shingle color cut one piece to cap your roof.



7 Install flush to shingles.



You have finished your ridge cap.

# 16913 8' x 12' Order Form

CATEGORY	PART DESCRIPTION	PART SIZE	PART ITEM #	BUILDING QTY.	PART ID
2 X 3	Top/Bottom Plate "A"	LUM SPF 2X3X96 #2&BTR	12115	4	PT
	Top/Bottom Plate "B"	2 X 3 X 48" PLATE	Q 48000000000	4	NK
	Wall Stud	2 X 3 X 44" CRATE SUPPORT	Q 44000000000	14	AFE
	Backwall Top Plate	2 X 3 X 90-1/8" 24.5" BOTH ENDS	Q 90022424000	1	ELC
	Back Wall Stud	2 X 3 X 45 1/2"	Q 45080000000	3	NE
	Back Wall Connector "B"	2 X 3 X 35"	Q 35000000000	1	BSN
	Front Wall Supports	2 X 3 X 70 1/4" STUD	Q 70040000000	2	OZ
	Over Door Support	2 X 3 X 51" PACKING MTL /	Q 51000000000	1	EH
	Front Wall Gable Connector	2 X 3 X 11 3/4"	Q 11120000000	1	DT
2 X 4 TREATED FLOOR FRAME	Bond Board "A"	LUM TRTD 2 X 4 X 96 #2&BTR	P 96000000000	2	---
	Floor Joist	LUM TRTD 2 X 4 X 93 #2&BTR	P 93000000000	10	---
	Bond Board "B"	LUM TRTD 2 X 4 X 48 #2&BTR	P 48000000000	2	---
1 X 3	Gauge Block	1 X 3 X 5" PINE FILLER	U 05000000000	1	GAA
7/16 OSB	Lower Large Roof Panel "A"	7/16" OSB 23 7/8" X 96" ROOF	C 96002314000	2	---
	Lower Large Roof Panel "B"	7/16" OSB 23 7/8" X 48" ROOF &	C 48002314000	2	---
	Upper Roof Panel "A"	7/16" OSB 35 3/8" X 96" ROOF	C 96003506000	2	---
	Upper Roof Panel "B"	3/8" X 35-3/8" X 48" ROOF PANEL	C 48003506000	2	---
	Lower Small Roof Panel "A"	7/16" OSB 11 7/8" X 96"	C 96001114000	2	---
	Lower Small Roof Panel "B"	7/16" OSB 11 7/8" X 48"	C 48001114000	2	---
5/8 OSB	Floor Panel	OSB 5/8" X 4' X 8'	11117	3	---
GUSSETS	Gusset	EZ 8"/ OSB 6" X24" GUSSET 17"	J 24000600170	12	---
NO GROOVE SIDING	Right Front Wall	NG 2017 LIQUIDATOR GMBL 8X10 R	K 96004800850	1	---
	Left Front Wall	NG 2017 LIQUIDATOR GMBL 8X10 L	K 96004800855	1	---
	Right Back Gable	3/8" NG 42-1/4" X 48" RIGHT	K 48004204144	1	---
	Left Back Gable	3/8" NG 42-1/4" X 48" LEFT	K 48004204244	1	---
	Back / Side Wall Panel	SIDING NG 4'X4'	11504	8	---
	Horizontal Battens	3/8" NG 1 3/4" X 72 3/8"	K 72060112000	4	---
Side / Front Wall Battens	3/8" NG 1 3/4" X 45-3/8"	K 45060112000	8	---	
19/32 X 3 SMART TRIM	Over Door Trim	19/32 TST 2 1/2" X 55" TRIM	UT55000208000	1	ZB
19/32 X 4 SMART TRIM	Upper Gable Trim - Right	2 X 4 X 35 3/4" 17"/24"	UT35121724100	2	ZHR
	Upper Gable Trim - Left	2 X 4 X 35 3/4" 17"/24"	UT35121724200	2	ZHL
	Lower Gable Trim - Right	2 X 4 X 36-3/4" 24"/24" RIGHT	UT36122424100	2	DBR
	Lower Gable Trim - Left	2 X 4 X 36-3/4" 24"/24" LEFT	UT36122424200	2	DBL
PURCHASED COMPONENTS	Door Stiffener	LSL 1-1/4 X 2-1/4 X 69 PET	12715	2	OO
	Truss Assembly	TRUSS Sub-Assy Gambrel 8' Wide	30040	14	---
	Black T&D Handle	HANDLE - T 4" SHAFT & "D"	15375	1	---
	6D Nails	NAIL 6D 2" BOX HDG BOX	15105	5	---
	10D Nails	NAIL 10D 3" BOX HDG BOX	15109	3	---
	Barn Vent	VENT 16" X 8" EXTERIOR (WHITE)	15002	2	---
	Z-Channel	Z CHANNEL 3/8" X 8' PLASTIC	17209	1	---
PACKAGING	Instructions		16913	1	---
Right Door Assembly	30280-R				
	Door Panel	3/8" NG 23 3/4" X 71 1/2" DOOR	K 71082312000	1	---
	Right Hinge Assembly	HINGE RIGHT (RED) 19/32x3 THIN TRIM	30121-TT	1	---
	Vertical Door Stiles	19/32 TST 2 1/2" X 71 5/8"	UT71100208000	2	GY
	Horizontal Door Rails	19/32 TST 2 1/2" X 18-5/8" RAIL	UT18100208000	3	EGB
Left Door Assembly	30280-L				
	Door Panel	3/8" NG 23 3/4" X 71 1/2" DOOR	K 71082312000	1	---
	Left Hinge Assembly	HINGE LEFT (GREEN) 19/32x3 THIN TRIM	30131-TT	1	---
	Vertical Door Stiles	19/32 TST 2 1/2" X 71 5/8"	UT71100208000	2	GY
	Horizontal Door Rails	19/32 TST 2 1/2" X 18-5/8" RAIL	UT18100208000	3	EGB

### **LIMITED CONDITIONAL WARRANTY\***

Backyard Storage Solutions, LLC warrants the following:

1. Every product is warranted from defects in workmanship and manufacturing for 1 year.
2. All accessories, hardware and metal components are warranted for 2 years.
3. All Oriented Strand Board (OSB) is warranted for 2 years
4. Siding and Trim is warranted for 10 years.
5. Solar Shed windows are warranted for 1 year.
6. Cedar lumber is warranted for 15 years.
7. Preserved Pine is warranted for 10 years.
8. Redwood is warranted for 10 years.

Backyard Storage Solutions, LLC will repair, replace or pay for the affected part. In no event shall Backyard Storage Solutions, LLC pay the cost of labor or installation or any other costs related thereto. All warranties are from date of purchase. If a cash refund is paid on an affected part, it will be prorated from the date of purchase.

### **CONDITIONS**

The warranty is effective only when:

1. The unit has been erected in accordance with the assembly instructions.
2. The unit has been properly shingled and painted or stained and reasonably and regularly maintained thereafter.
3. The failure occurs when the unit is owned by the original purchaser.
4. Backyard Storage Solutions, LLC has received the warranty registration card within thirty (30) days of purchase and notification of the failure in writing within the warranty period specified above.
5. Backyard Storage Solutions, LLC has had reasonable opportunity during the sixty (60) days following receipt of notification to inspect and verify the failure prior to commencement of any repair work.

### **REQUIREMENTS**

#### **Storage Buildings**

To validate your warranty, it is necessary to properly maintain your Backyard Storage Solutions, LLC unit; shingle the roof and paint or solid-colored stain the siding using quality, 100% acrylic latex exterior product with a minimum of two (2) coats within thirty (30) days of assembly; caulk above all doors and all horizontal and vertical trim boards; paint and seal all exposed edges, sides and faces of siding/trim and OSB siding to include all exterior walls and all sides and all edges of doors.

#### **Gazebos & Pergolas**

To validate your warranty, it is necessary to properly maintain your Backyard Storage Solutions, LLC unit. This includes treating all of the exposed cedar and pine surfaces on your gazebo or pergola structure with an exterior grade wood preservative, an exterior oil-based semi-transparent stain, an acrylic latex exterior paint or an acrylic latex solid color exterior stain within 30 days of assembly and as needed thereafter to maintain your warranty.

Keep vegetation trimmed away from building and make sure siding panels and trim do not come in contact with masonry or cement. The minimum ground clearance for siding must be one half inch (½ inch) from concrete slab or two and one half inches (2 ½") from the ground when building is erected or constructed on a treated wood floor kit. Water from sprinklers must be kept off unit. In no event will Backyard Storage Solutions, LLC be responsible for any indirect, incidental, consequential or special damages nor for failure(s) that are caused by events, acts or omissions beyond our control including, but not limited to, misuse or improper assembly, improper maintenance (which eventually leads to rot or decay) and acts of God. Backyard Storage Solutions, LLC will not be held responsible for any labor costs incurred to construct your unit.

This warranty gives you certain specific rights that vary from state to state.

### **CLAIM PROCEDURE**

To make a claim under this warranty, you can either call 1-888-827-9056 or email: [customerservice@backyardproducts.com](mailto:customerservice@backyardproducts.com).

Please have ready the information below when you call or include the information in your email:

1. The model and size of the product.
2. A list of the part(s) for which the claim is made.
3. Proof of purchase of the Backyard Storage Solutions, LLC item, as shown on the original invoice or receipt.
4. Run code: found on exterior product label or assembly instructions enclosed in the product package.

All other inquiries can be mailed to:

Backyard Storage Solutions, LLC  
Attn: Customer Service  
1000 Ternes  
Monroe, MI 48162

**\*WARRANTY TERMS MAY VARY OUTSIDE THE U.S.A.  
IMPORTANT: This is your warranty certificate.**

10Y MV LDR: 3/20/2019