



OUTDOOR STORAGE

MODEL N° 60012

***OWNER'S MANUAL***

Keep this Identification Number in case you must contact our Customer Service Department.

## REGISTER YOUR LIFETIME PRODUCT TODAY!

There are benefits to registering your Lifetime product. With our new online product registration form, it's fast and easy! Register with us at [www.lifetime.com](http://www.lifetime.com) and enjoy these great benefits:

- Receive exclusive money-saving offers from BuyLifetime.com, our online store, as well as NEW product notifications and special closeout promotions!
- In the unlikely event of a product recall or safety modification, we will notify you.
- Registering your product guarantees you warranty service. If you do not register your product, your warranty rights will not be diminished. But you will need to provide a sales receipt to verify your product purchase date before warranty service will be provided.

### LIFETIME'S PROMISE TO YOU:

*Maintaining your privacy is our long-standing policy at Lifetime. And you can rest assured that Lifetime will not sell or provide your personal data to other third parties, or allow them to use your personal data for their own purposes.*

We invite you to read our privacy policy at [www.lifetime.com](http://www.lifetime.com)

**REGISTER today!**

**\*\*U.S. and Canada customers ONLY\*\***

IF ASSISTANCE IS NEEDED,

**DO NOT CONTACT THE STORE!**

**CALL OUR CUSTOMER SERVICE DEPARTMENT at 1 (800) 225-3865**

HOURS: 7:00 a.m. to 5:00 p.m. Monday through Friday (Mountain Standard Time)

\*\*Call, or visit our Web site for Saturday hours\*\*

\*\*For customers outside the U.S. or Canada, please contact the store for assistance.\*\*



## SAFETY INSTRUCTIONS



**FAILURE TO FOLLOW THESE WARNINGS MAY RESULT IN SERIOUS INJURY OR PROPERTY DAMAGE AND WILL VOID WARRANTY.**

To ensure safety, do not attempt to assemble this product without following the instructions carefully. Check entire box and inside all packing material for parts and/or additional instruction material. Before beginning assembly, read the instructions and identify parts using the hardware identifier and parts list in this document. Proper and complete assembly, use, and supervision are essential to reduce the risk of accident or injury. A high probability of serious injury exists if this system is not installed, maintained, and/or operated properly.

Follow any and all warnings and cautions carefully.  
Assembly on level ground.  
Check all nuts and screws for tightness before and during the usage season.

***Most injuries are caused by misuse and/or not following instructions. Use caution when using this system.***



Keep the hardware bags and their contents separate. If any parts are missing, call our Customer Service Department.



Identify and inventory all parts and hardware using the parts and hardware lists and identifiers in this document.

**Only adults should set up the product. Do not allow children in the setup area until assembly is complete.**

**TOOLS REQUIRED FOR THIS ASSEMBLY**

Socket Wrench with 3/8",  
7/16", & 1/2" Sockets



(1)

Phillips Screwdriver



(1)

7/16" Wrench



(1)

1/2" Wrench



(1)

Safety Glasses



(1 pair for each person)

## ASSEMBLY GUIDES

**Refer to the following areas throughout the instructions to assist in the assembly process:**

This area is located at the top, left-hand corner of the page and indicates which tools and hardware are needed to complete the assembly steps on a page.



**TOOLS AND HARDWARE REQUIRED FOR THIS PAGE**



This area is located at the top, right-hand corner of the page and shows an image of the product with shaded parts indicating which section is being assembled.



This area is usually located in the bottom, left-hand corner of a step and indicates that special attention is needed to perform a particular part of a step.



**Note:**

These areas are usually located in the bottom, right-hand corner of a step and indicate that damage to the product or serious injury may occur if the caution or warning is not heeded.



**CAUTION**



**WARNING**

Throughout the Parts & Hardware List, Part & Hardware Identifiers, and instructions are three-letter IDs. These IDs are below the images of the parts and hardware to help you locate and identify the parts and hardware during assembly. These IDs are not necessarily on the parts themselves.



**ADZ (x10)**  
1/4" x 5/8" Pan-Head Screw

## PARTS LIST

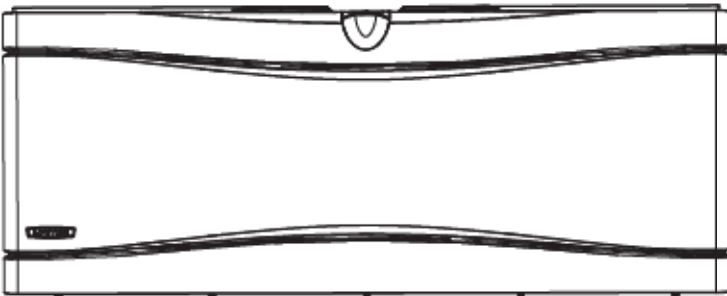
### PARTS BOX

ID	Description	Qty	ID	Hardware Description	Qty
AMZ	Front Panel	1	<b>BEQ</b>	<b>STORAGE BOX HARDWARE BAG</b>	
ANA	Back Panel	1	BEP	Hinge	2
ANB	Side Panel	2	BER	1/4" Hex Nut	4
ANC	Floor Panel	1	ADZ	1/4" x 5/8" Pan-Head Screw	16
AND	Lid	1	BES	1/4" x 1/2" Hex Bolt	4
BKV	Lid Support Channel	1	AAV	5/16" Jam Nut	4
			BET	5/16" Ball Stud	4
			AKF	Gas Spring	2
			BEU	Corner Bracket	4
			BEV	#14 x 1 1/4" Screw	4
			BKW	#14 x 3/4" Hex-Head Screw	4

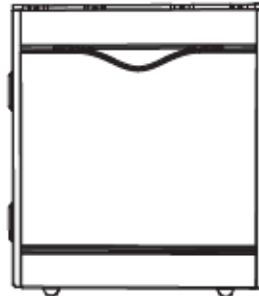
## PARTS IDENTIFIER

### PARTS BOX

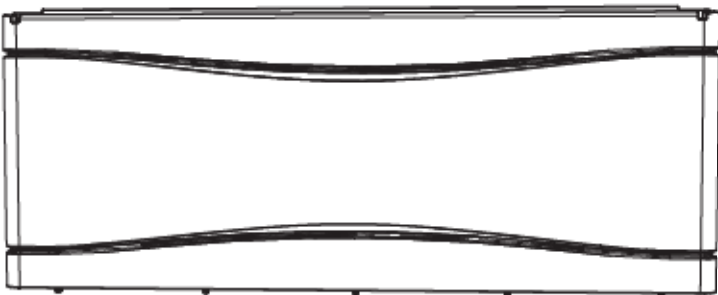
Parts are shown at 5% scale (\*Unless otherwise noted)



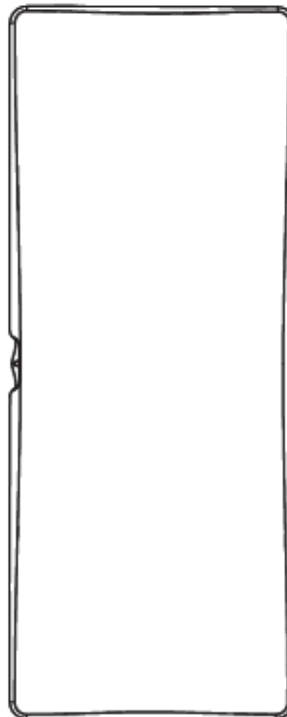
**AMZ (x1)**  
Front Panel



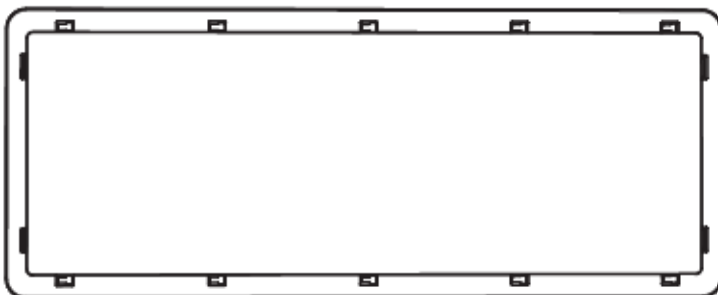
**ANB (x2)**  
Side Panel



**ANA (x1)**  
Back Panel



**AND (x1)**  
Lid



**ANC (x1)**  
Floor Panel

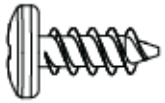


**BKV (x1)**  
Lid Support Channel

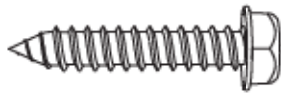
## HARDWARE IDENTIFIER

### [BEQ] STORAGE BOX HARDWARE BAG

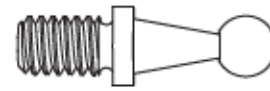
Parts are shown to scale (\*Unless otherwise noted)



**ADZ (x16)**  
1/4" x 5/8" Pan-Head Screw



**BEV (x4)**  
#14 x 1 1/4" Hex-Head Screw



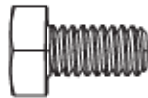
**BET (x4)**  
5/16" Ball Stud



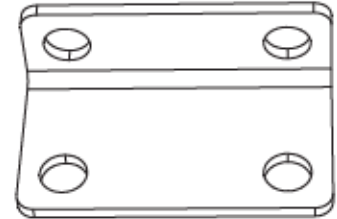
**AAV (x4)**  
5/16" Jam Nut



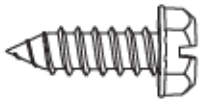
**BER (x4)**  
1/4" Hex Nut



**BES (x4)**  
1/4" x 1/2" Hex Bolt



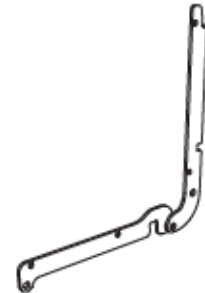
**BEU (x4)**  
Corner Bracket



**BKW (x4)**  
#14 x 3/4" Hex-Head Screw



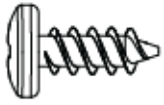
**\*AKF (x2)**  
Gas Spring



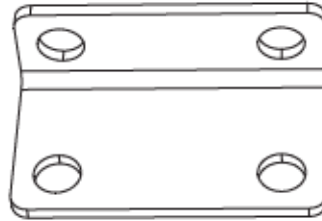
**\*BEP (x2)**  
Hinge

**SEC 1 FLOOR ASSEMBLY**

**HARDWARE REQUIRED**

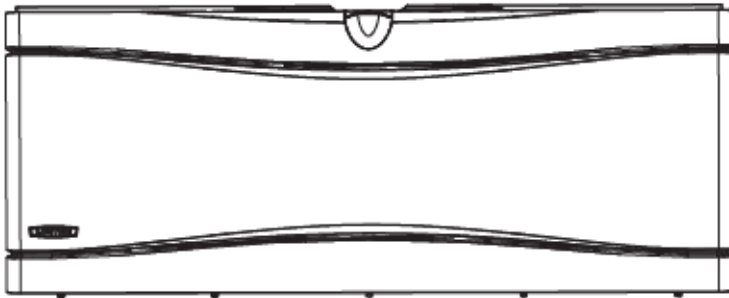


**ADZ (x16)**  
1/4" x 5/8" Pan-Head Screw

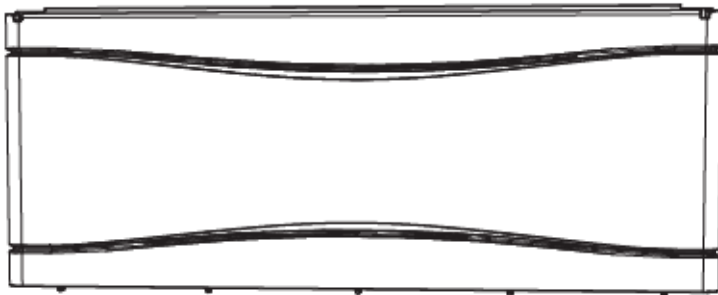


**BEU (x4)** Corner Bracket

**PLASTIC PARTS REQUIRED**



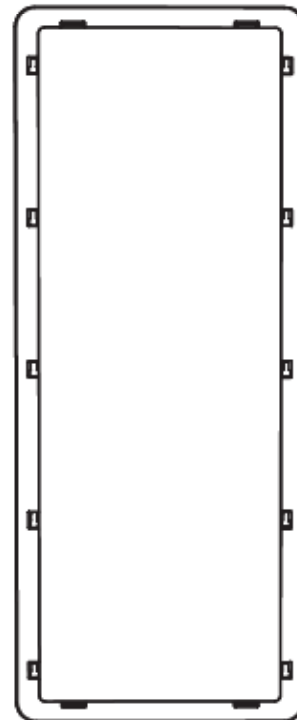
**AMZ (x1)**  
Front Panel



**ANA (x1)**  
Back Panel



**ANB (x2)**  
Side Panel



**ANC (x1)**  
Floor Panel

**TOOLS REQUIRED**



**Phillips Screwdriver**



**Safety Glasses**

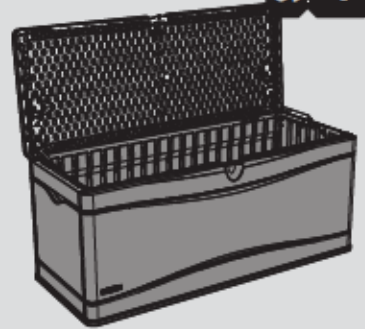


## TOOLS AND HARDWARE REQUIRED FOR THIS PAGE



NO HARDWARE REQUIRED FOR THIS PAGE

SEC 1

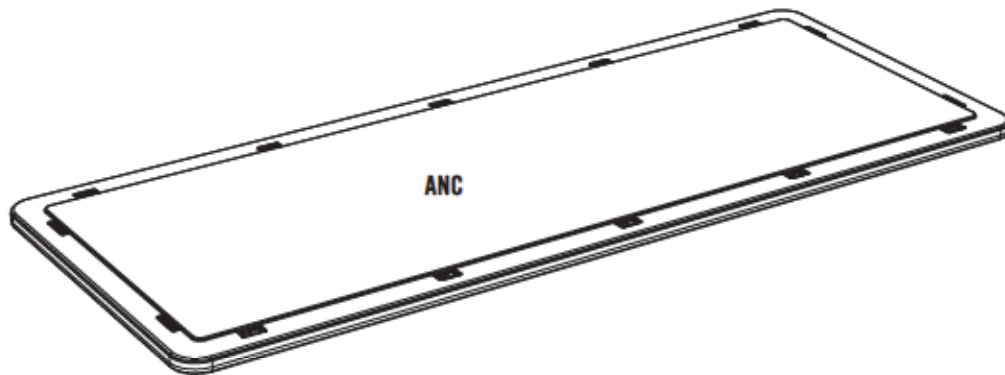


SEC

### BOX ASSEMBLY

1.1

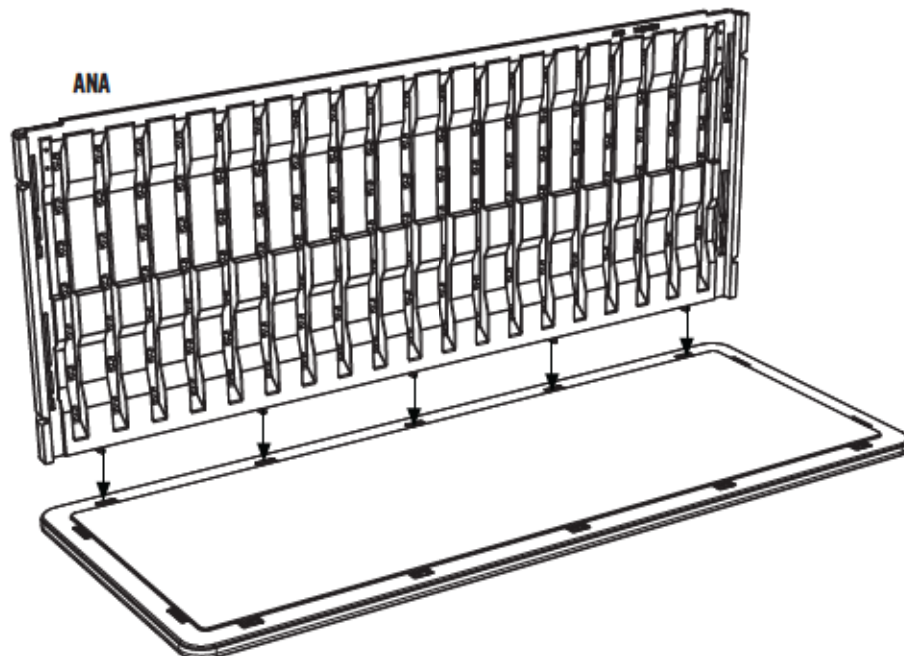
Lay Floor Panel (ANC) down flat on the ground.



SEC

1.2

Align the five tabs on the bottom of the Back Panel (ANA) with the notches along one of the long sides of the Floor Panel and set the tabs down inside the notches.





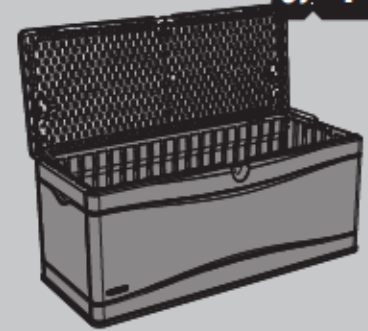


## TOOLS AND HARDWARE REQUIRED FOR THIS PAGE



**NO HARDWARE REQUIRED FOR THIS PAGE**

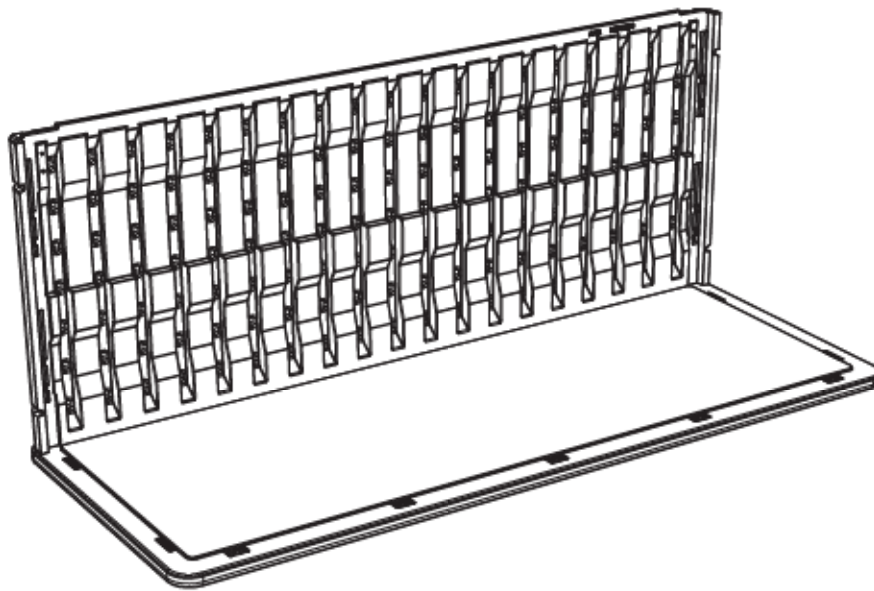
**SEC 1**



**SEC**

**1.3**

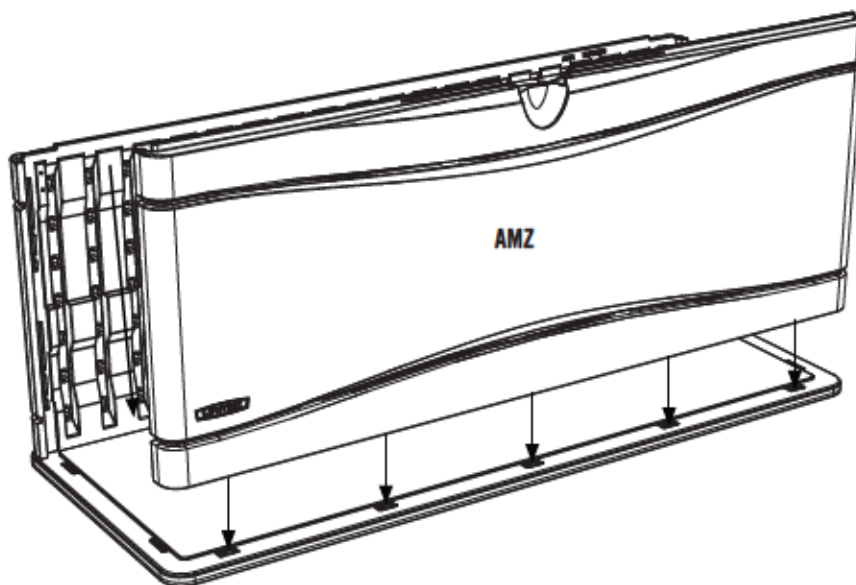
Once the tabs on the bottom of the Back Panel are in the notches of the Floor Panel, slide the Back Panel to align it with the Floor Panel.



**SEC**

**1.4**

Align the five tabs on the bottom of the **Front Panel (AMZ)** with the notches along one of other long side of the Floor Panel and set the tabs down inside the notches.





## TOOLS AND HARDWARE REQUIRED FOR THIS PAGE



**NO HARDWARE REQUIRED FOR THIS PAGE**

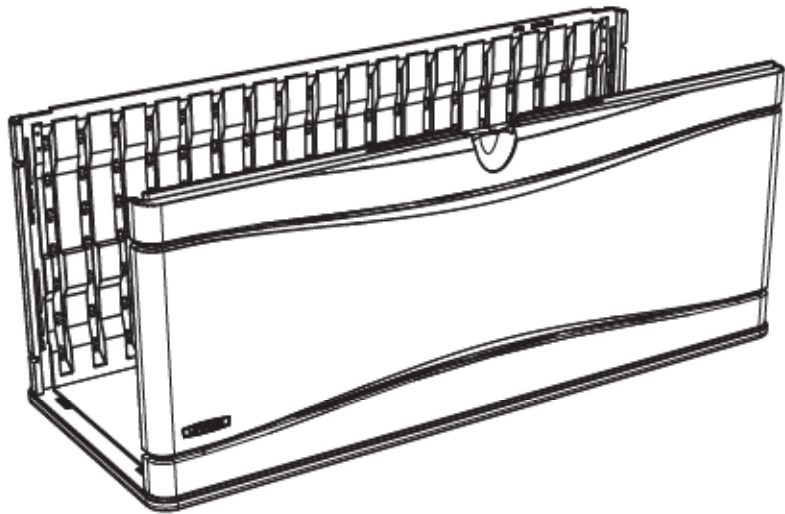
**SEC 1**



**SEC**

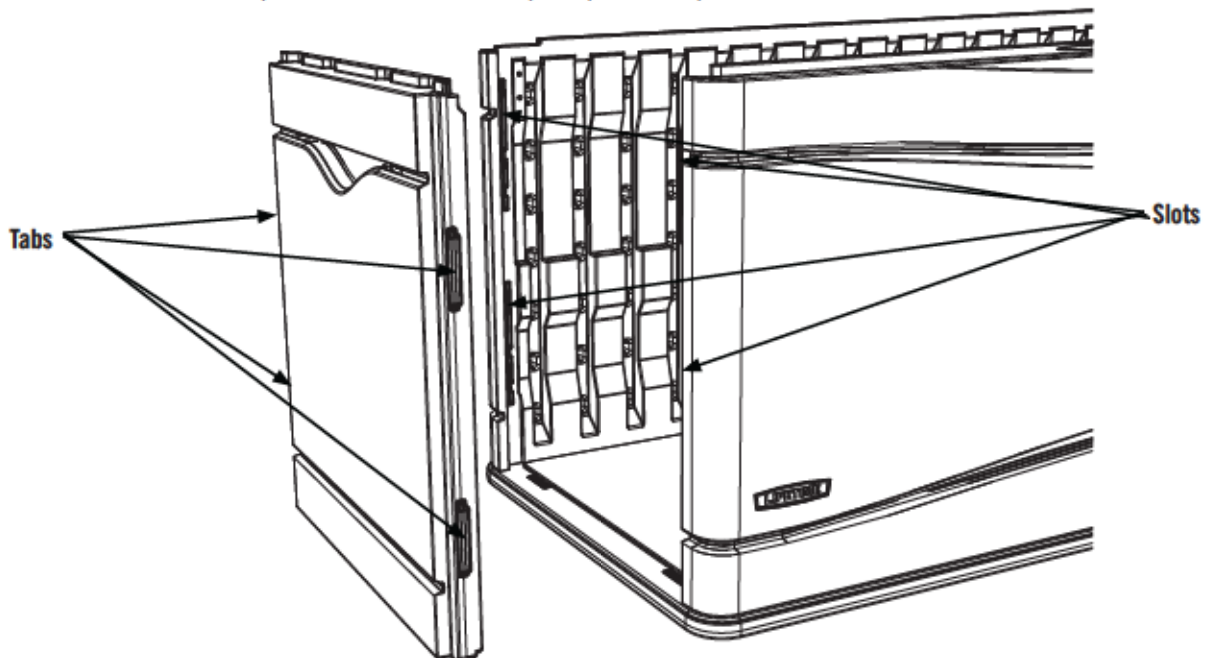
**1.5**

Once the tabs on the bottom of the Front Panel are in the notches of the Floor Panel, slide the Front Panel to align it with the Back and Floor Panels.



### SIDE PANEL INFORMATION

The Side Panels have two tabs on each side. These tabs align with the slots on the inside ends of the Front and Back Panels. The tops of the slots have openings into which the tabs fit. After inserting the tabs into the slots, push the Side Panels down to lock them in place. The next two steps explain this procedure.





## TOOLS AND HARDWARE REQUIRED FOR THIS PAGE



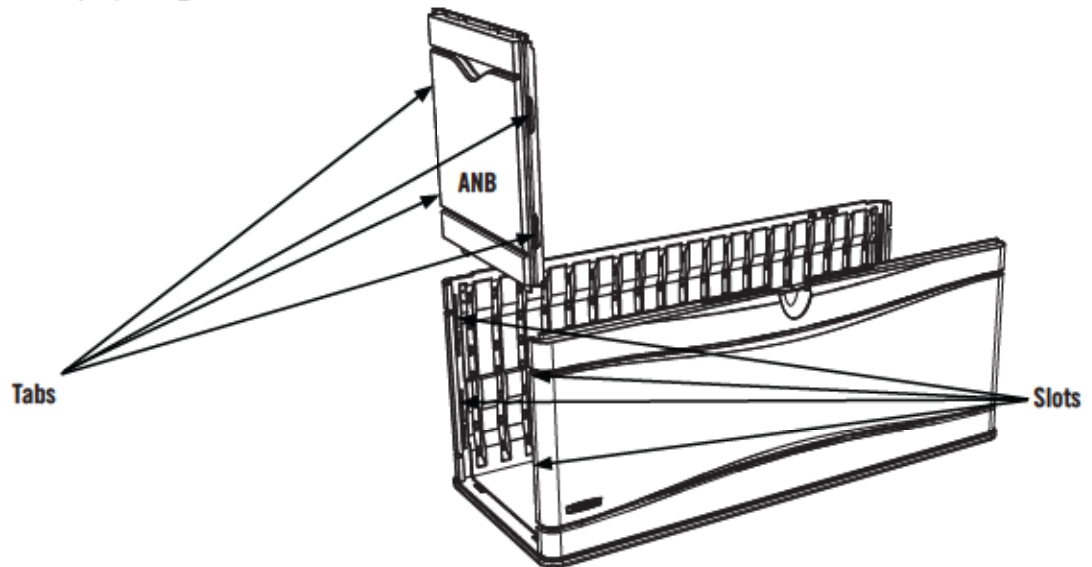
**NO HARDWARE REQUIRED FOR THIS PAGE**

**SEC 1**



**SEC 1.6**

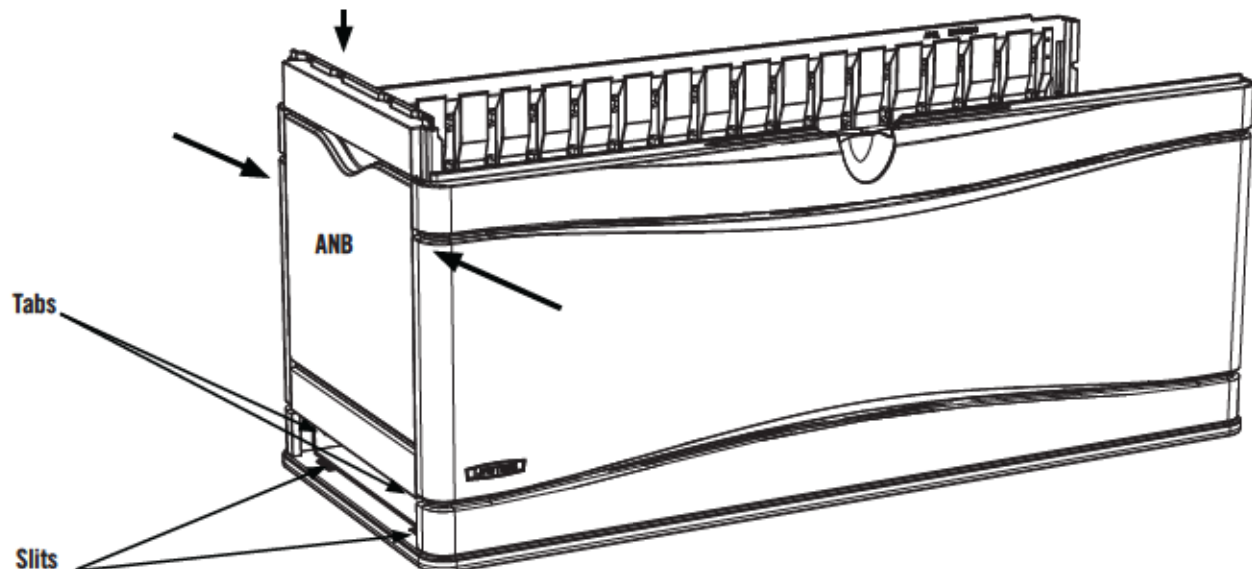
Gently slide a **Side Panel (ANB)** down between the Front and Back Panels until the tabs on the sides of the Side Panel align with the top openings of the slots in the Front and Back Panels.



**SEC 1.7**

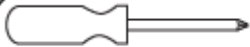
### 2 ADULTS REQUIRED FOR THIS STEP

Once the tabs on the Side Panel are aligned with the openings of the slots in the Front and Back Panels, push the ends of the Front and Back Panels inward until the tabs enter the slots. Then, push down on the Side Panel until the tabs on the bottom of the Side Panel enter the slits on the Floor Panel, and the top of the Side Panel fits flush with the Front and Back Panels. **Repeat steps 1.6 - 1.7 For second Side panel.**

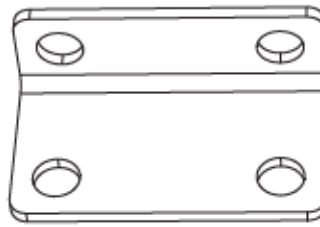




## TOOLS AND HARDWARE REQUIRED FOR THIS PAGE



ADZ (x16)



BEU (x4)

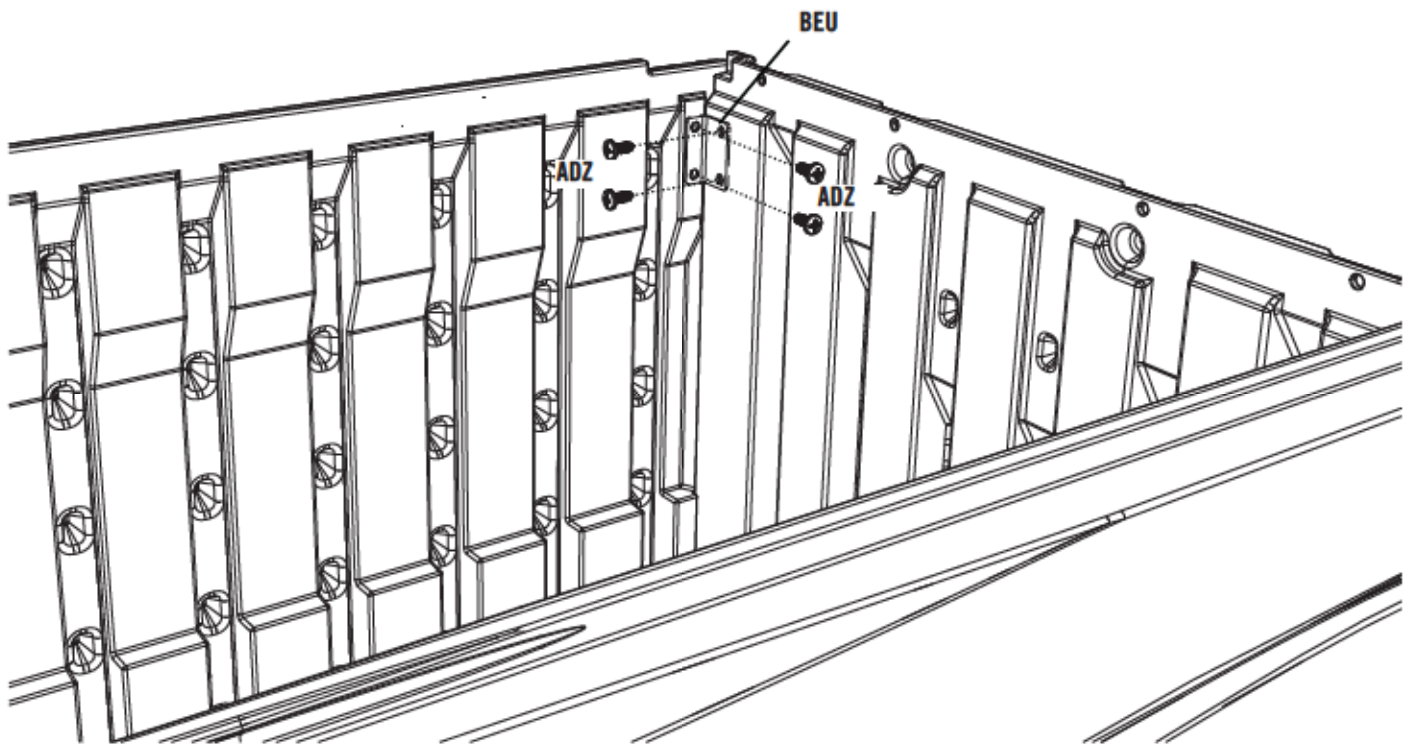
SEC 1



SEC

1.8

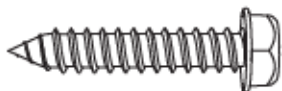
Align the holes of the **Corner Bracket (BEU)** with the pilot holes in the corners of the Side Panels and secure with four (4) **1/4" x 5/8" Pan-Head Screws (ADZ)** until Screws are flush with Corner Bracket. **Repeat this step for each corner.**



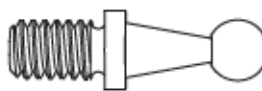
*Note: Do not overtighten Screws (ADZ).*

## SEC 2 LID ASSEMBLY

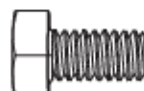
### HARDWARE REQUIRED



**BEV** (x4)  
#14 x 1 1/4" Hex-Head Screw



**BET** (x4)  
5/16" Ball Stud



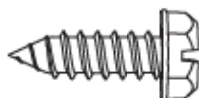
**BES** (x4)  
1/4" x 1/2" Hex Bolt



**AAV** (x4)  
5/16" Jam Nut



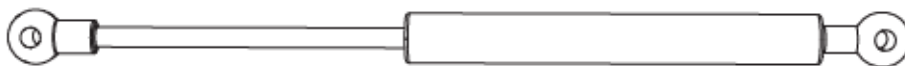
**BER** (x4)  
1/4" Hex Nut



**BKW** (x4)  
#14 x 3/4" Hex-Head Screw



**BEP** (x2)  
Hinge  
(Not to Scale)



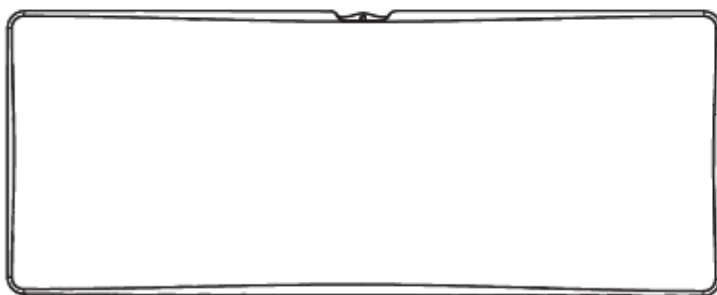
**AKF** (x2) Gas Spring  
(Not to Scale)

### METAL PARTS REQUIRED



**BKV** (x1)  
Lid Support Channel

### PLASTIC PARTS REQUIRED



**AND** (x1)  
Lid

### TOOLS REQUIRED



3/8", 7/16", & 1/2" Socket Wrench



7/16" Wrench



1/2" Wrench



Safety Glasses



## TOOLS AND HARDWARE REQUIRED FOR THIS PAGE



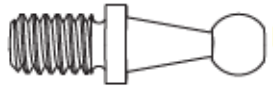
1/2"



1/2"

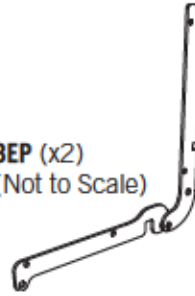


AAV (x4)



BET (x4)

BEP (x2)  
(Not to Scale)



SEC 2



SEC

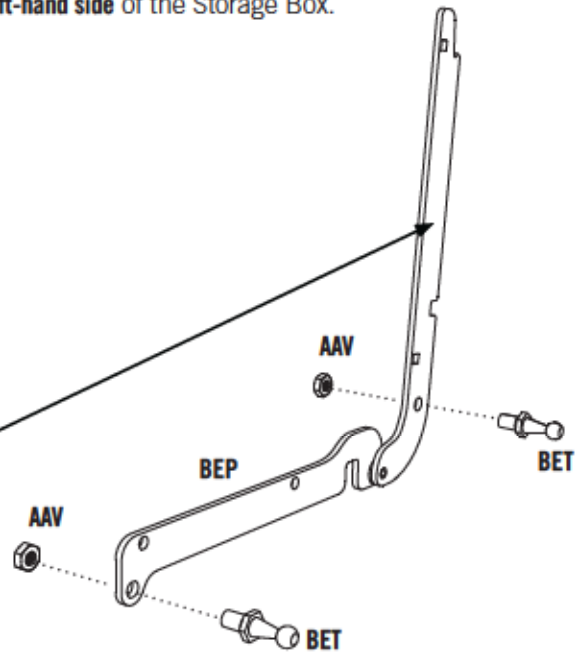
### HINGE & LID ASSEMBLY

2.1

Insert two (2) 5/16" Ball Studs (BET) through the holes in a Hinge (BEP) as shown. Secure the Ball Studs to the Hinge using the hardware shown. This will be installed on the **left-hand side** of the Storage Box.



*Note: One Hinge is the same as the other, but the Ball Studs are attached on opposite sides*



*Note: The upper hinge arm is on the inside of the lower hinge arm.*

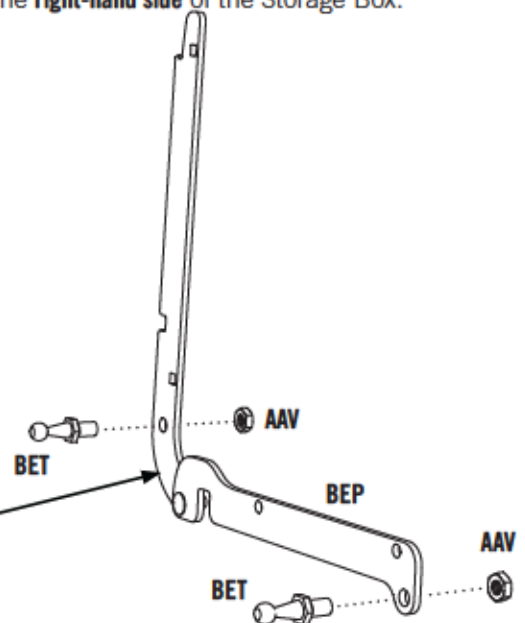
SEC

2.2

Insert two (2) 5/16" Ball Studs (BET) through the holes in the second Hinge (BEP) as shown. Secure the Ball Studs to the Hinge using the hardware shown. This will be installed on the **right-hand side** of the Storage Box.



*Note: One Hinge is the same as the other, but the Ball Studs are attached on opposite sides*



*Note: The upper hinge arm is on the outside of the lower hinge arm.*

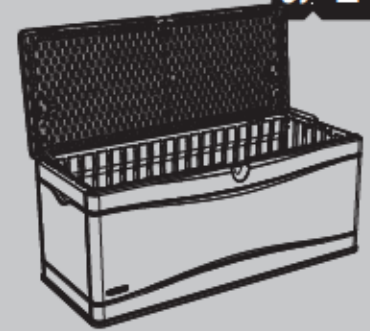


## TOOLS AND HARDWARE REQUIRED FOR THIS PAGE



NO HARDWARE REQUIRED FOR THIS PAGE

SEC 2

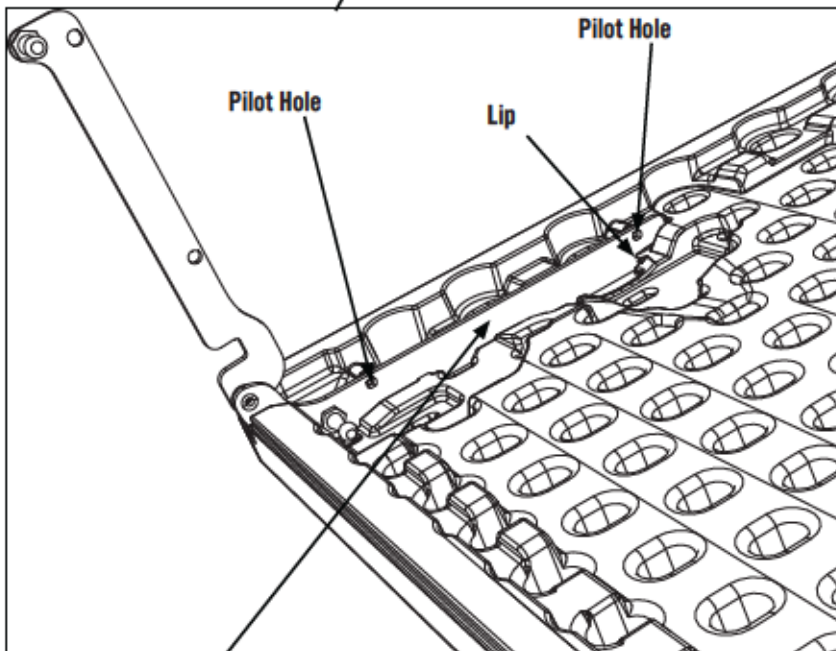
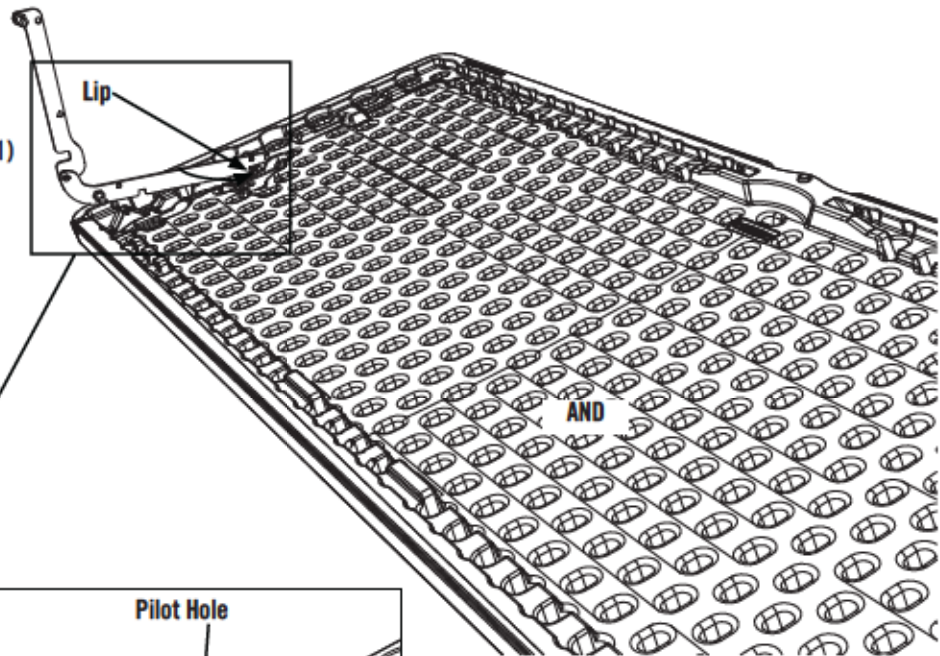


SEC

2.3

Attach the left-hand **Hinge Assembly** to the left side of the **Lid (AND)** by inserting the lip of the left-hand Hinge Assembly under the lip of the Lid to help align the holes in the upper hinge arm with the pilot holes in the Lid.

Left-Hand Side Hinge (from Step 2.1)



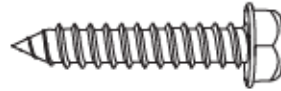
**!** Note: The upper hinge arm is on the inside of the lower hinge arm and the Ball Studs face inward.



## TOOLS AND HARDWARE REQUIRED FOR THIS PAGE



3/8"



BEV (x4)

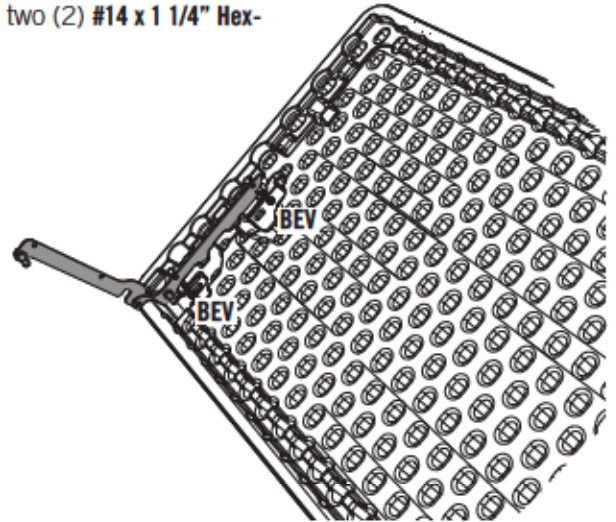
SEC 2



SEC

2.4

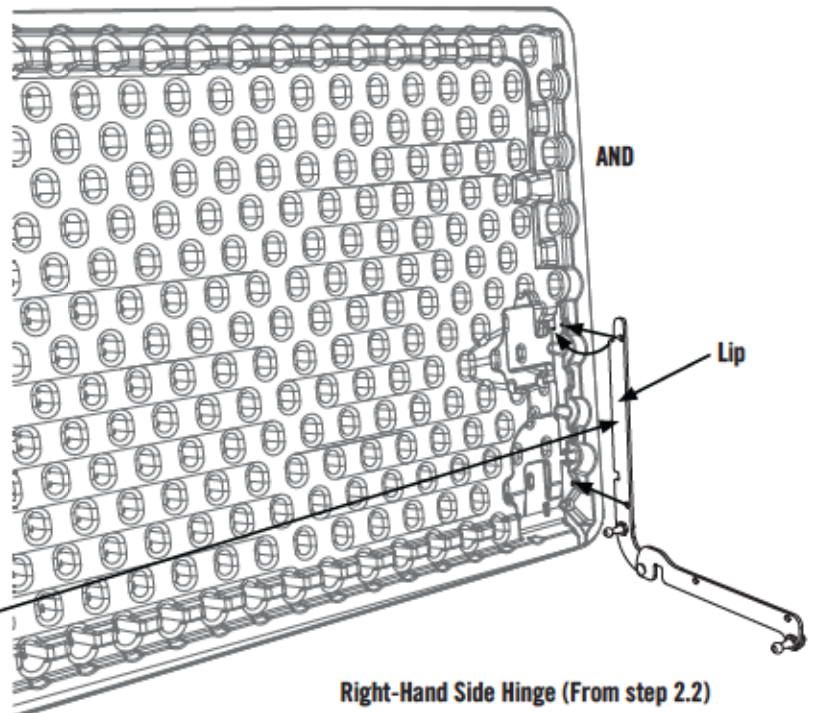
Connect the left **Hinge Assembly** to the left side of the **Lid** using two (2) #14 x 1 1/4" Hex-Head Screws (BEV).



SEC

2.5

Attach the right-hand **Hinge Assembly** to the right side of the Lid the same way you attached the left-hand Hinge Assembly.



*Note: The upper hinge arm is on the outside of the lower hinge arm while the Ball Studs face inward.*

Right-Hand Side Hinge (From step 2.2)





## TOOLS AND HARDWARE REQUIRED FOR THIS PAGE

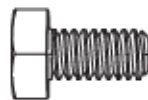
SEC 2



7/16"



7/16"



BES (x4)



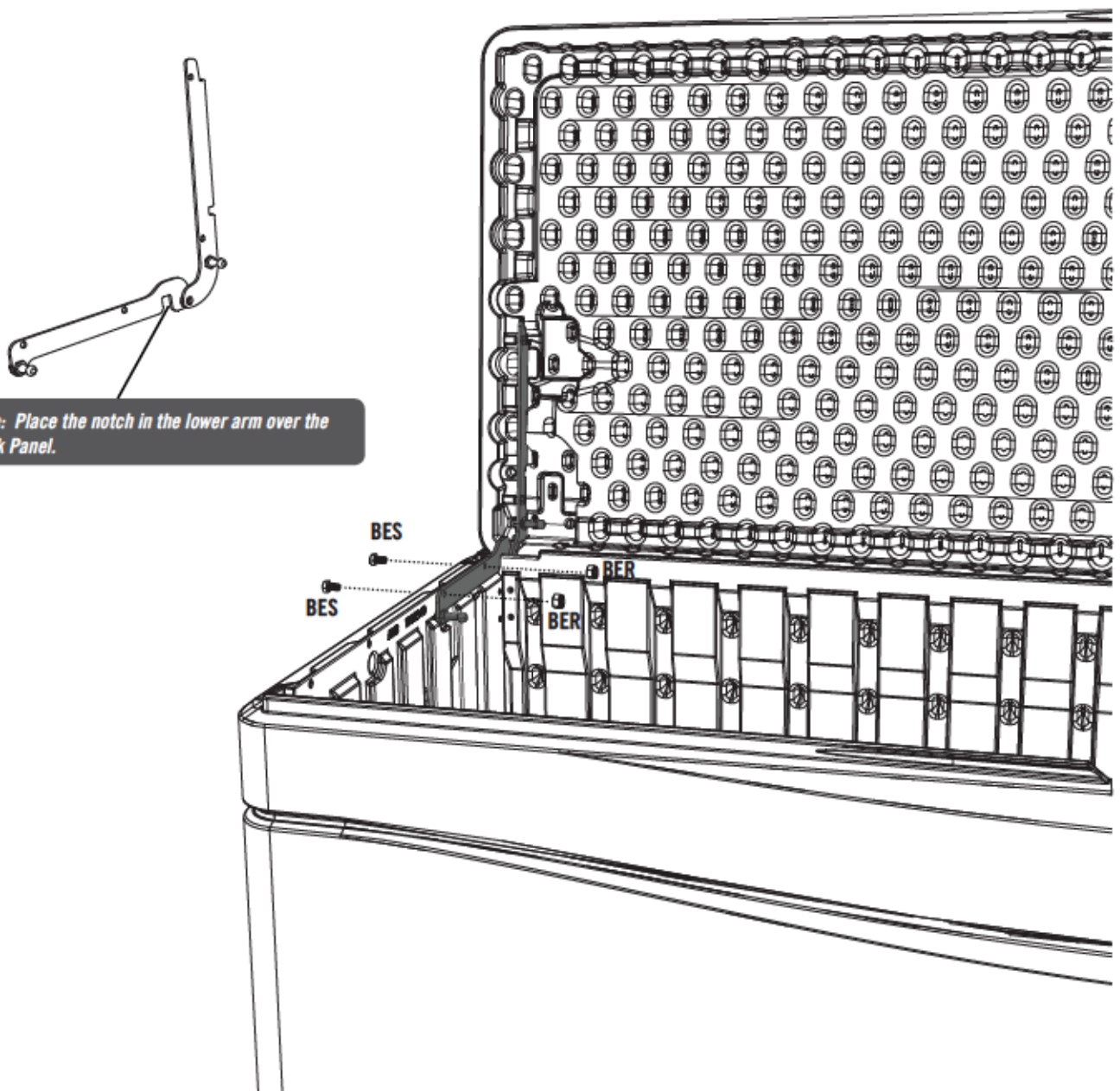
BER (x4)



SEC

2.6

Place Storage Box up against a wall and set notches in Hinges over the Back Panel as illustrated. While the Lid rests against the wall, connect the lower arm of the Hinge to the Side Panel using the hardware shown. Repeat this step for the Right hinge assembly.



**Note:** Place the notch in the lower arm over the Back Panel.



## TOOLS AND HARDWARE REQUIRED FOR THIS PAGE

SEC 2



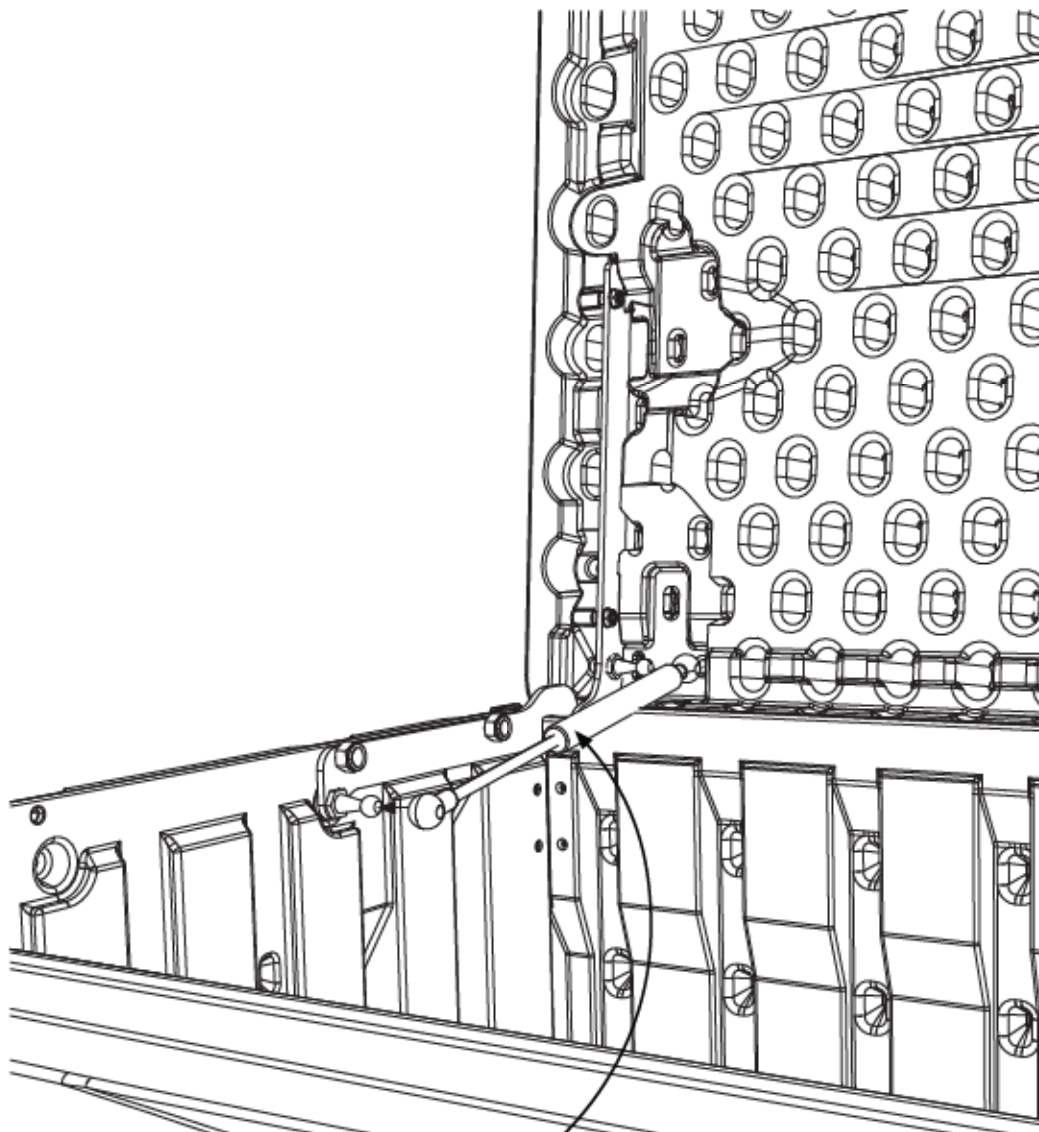
AKF (x2)



SEC

2.7

While the Lid rests against the wall, gently snap the two ends of a **Gas Spring (AKF)** over the two Ball Studs in the direction shown. **Repeat this step for the Right hinge assembly.**



*Note: Ensure you connect the Gas Springs (AKF) in the direction shown.*



### WARNING

Do not pull back on Storage Box Lid. The Lid only opens to a 90° angle. Pulling back the Lid more than 90° will damage the Gas Springs.

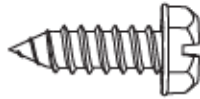


## TOOLS AND HARDWARE REQUIRED FOR THIS PAGE

SEC 2



3/8"



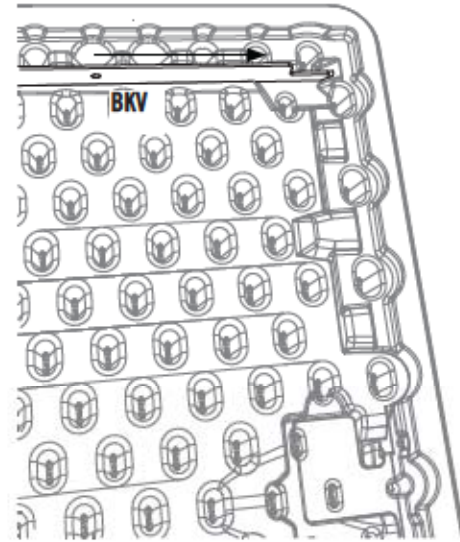
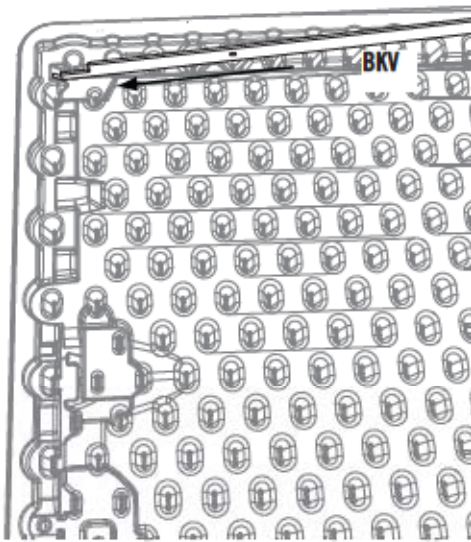
BKW (x4)



SEC

2.8

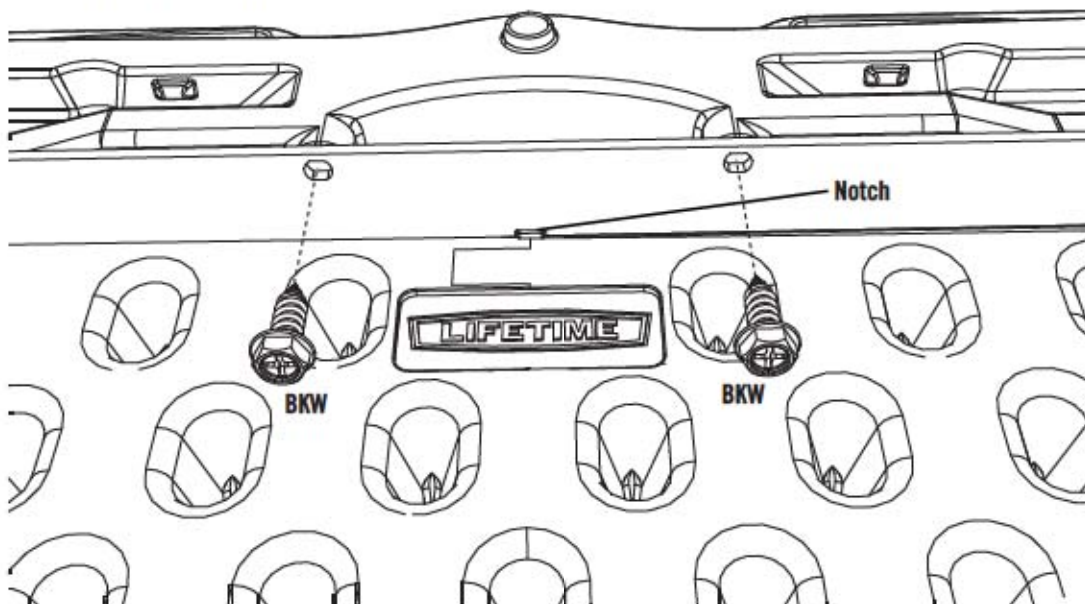
Insert one end of the **Lid Support Channel (BKV)** into the slit in the underside of the left, front end of the Lid and slide it as far left as it will go, as shown. Insert the other end of the Lid Support Channel into the slit on the other end of the Lid.



SEC

2.9

Set the notch in the center of the Lid Support Channel over the nub in the center of the Lid. This will help align the four holes in the Lid Support Channel with the Lid. Secure the Lid Support Channel to the Lid using four (4) #14 x 3/4" Hex-Head Screws (BKW).



## CLEANING & CARE

Congratulations on your Lifetime® product purchase. By following the instructions below, your new Lifetime product should provide you with years of service and enjoyment.

### Cleaning and Care

The polyethylene panels are stain- and solvent-resistant. Most stains can be removed, using a mild soap and a soft-bristled brush. Abrasive cleaning materials may scratch the plastic and are not recommended. Repair scratches or rust spots on the metal by sanding the affected area lightly; using a rust preventative spray primer; and finally, spraying with a high-gloss spray enamel paint. Avoid placing a direct heat source on or near surfaces unless using a heat barrier.



### WARNING



Do not pull back on the Lid of the Storage Box. The Lid is designed to go no more than 90°. Pulling back on the Lid more than 90° will damage the Gas Springs and void the warranty.



### ADVERTENCIA



No tire de la Tapa de la Caja de almacenaje. La Tapa está pensado por abrir no más de 90°. Tirando de la Tapa más de 90° dañará los Resortes de gas y anulará la garantía.



### AVERTISSEMENT



Ne tirez pas sur le Couvercle de la Boîte de stockage. Le Couvercle à été conçu pour ouvrir pas plus de 90°. En tirant du Couvercle plus de 90° endommagera le Ressorts de gaz et annulera la garantie.

## 10-YEAR LIMITED LIFETIME WARRANTY

### THE MANUFACTURER RESERVES THE RIGHT TO MAKE SUBSTITUTIONS TO WARRANTY CLAIMS IF PARTS ARE UNAVAILABLE OR OBSOLETE.

1. Lifetime storage boxes are warranted to the original purchaser to be free from defects in material or workmanship for a period of ten years from the date of original retail purchase. The word "defects" is defined as imperfections that impair the use of the product. Defects resulting from misuse, abuse or negligence will void this warranty. This warranty does not cover defects due to improper installation, alteration or accident. This warranty does not cover damage caused by vandalism, rusting, "acts of nature" or any other event beyond the control of the manufacturer.
2. This warranty is nontransferable and is expressly limited to the repair or replacement of defective product. If the product is defective within the terms of this warranty, Lifetime Products, Inc. will repair or replace defective parts at no cost to the purchaser. Shipping charges to and from the factory are not covered and are the responsibility of the purchaser. Labor charges and related expenses for removal, installation or replacement of the product or its components are not covered under this warranty.
3. This warranty does not cover scratching or scuffing of the product that may result from normal usage. In addition, defects resulting from intentional damage, negligence, unreasonable use will void this warranty.
4. Liability for incidental or consequential damages is excluded to the extent permitted by law. While every attempt is made to embody the highest degree of safety in all equipment, freedom from injury cannot be guaranteed. The user assumes all risk of injury resulting from the use of this product. All merchandise is sold on this condition, and no representative of the company may waive or change this policy.
5. This product is not intended for institutional or commercial use; Lifetime Products, Inc. does not assume any liability for such use. Institutional or commercial use will void the warranty.
6. This warranty is expressly in lieu of all other warranties, expressed or implied, including warranties of merchantability or fitness for use to extent permitted by Federal and state law. Neither Lifetime Products, Inc., nor any representative assumes any other liability in connection with this product. This warranty gives you specific legal rights, and you may also have other rights which vary from state to state.

### PLEASE INCLUDE YOUR DATED SALES RECEIPT AND PHOTOGRAPHS OF DAMAGED PARTS.

REPORT PRODUCT DEFECTS IN WRITING TO:  
Lifetime Products, Inc., PO Box 160010 Clearfield, UT 84016-0010  
or call 1-800-225-3865 M-F 7 a.m. to 5 p.m. MST.

### REGISTER YOUR PRODUCT FOR QUICKER CUSTOMER SERVICE.

Visit [www.lifetime.com](http://www.lifetime.com) or call 1-800-225-3865 to register your product today.

### FOR INTERNATIONAL WARRANTY CLAIMS:

All warranty claims must be accompanied by a sales receipt. Report all warranty claims in writing to your regional sales support representative. Please include your dated sales receipt and photographs of damaged parts.  
To Identify the representative for your region — Please visit: [www.lifetime.com/international](http://www.lifetime.com/international)



[www.lifetime.com](http://www.lifetime.com)